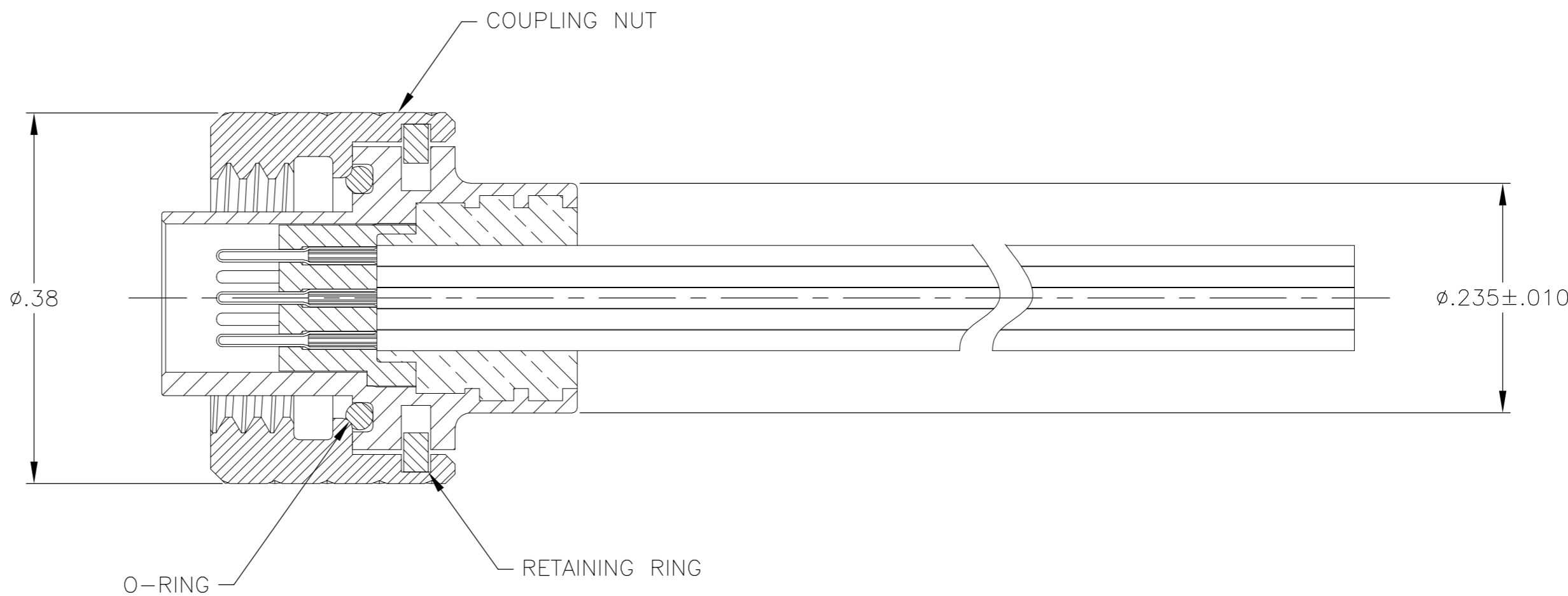
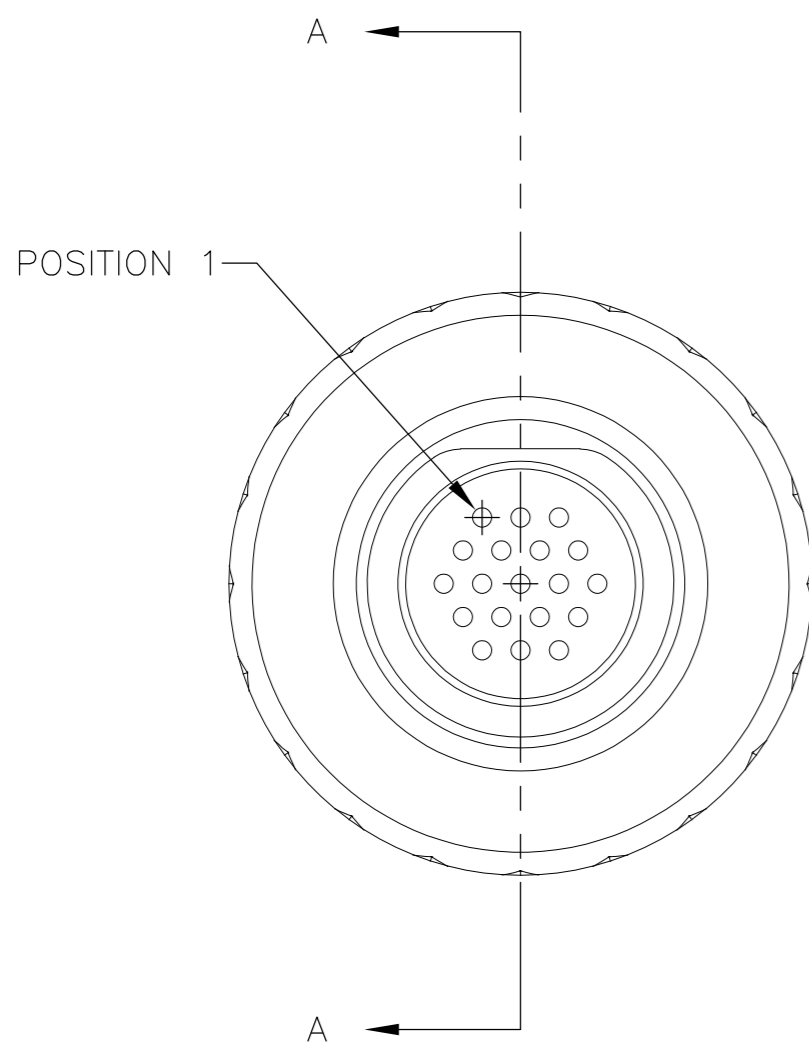
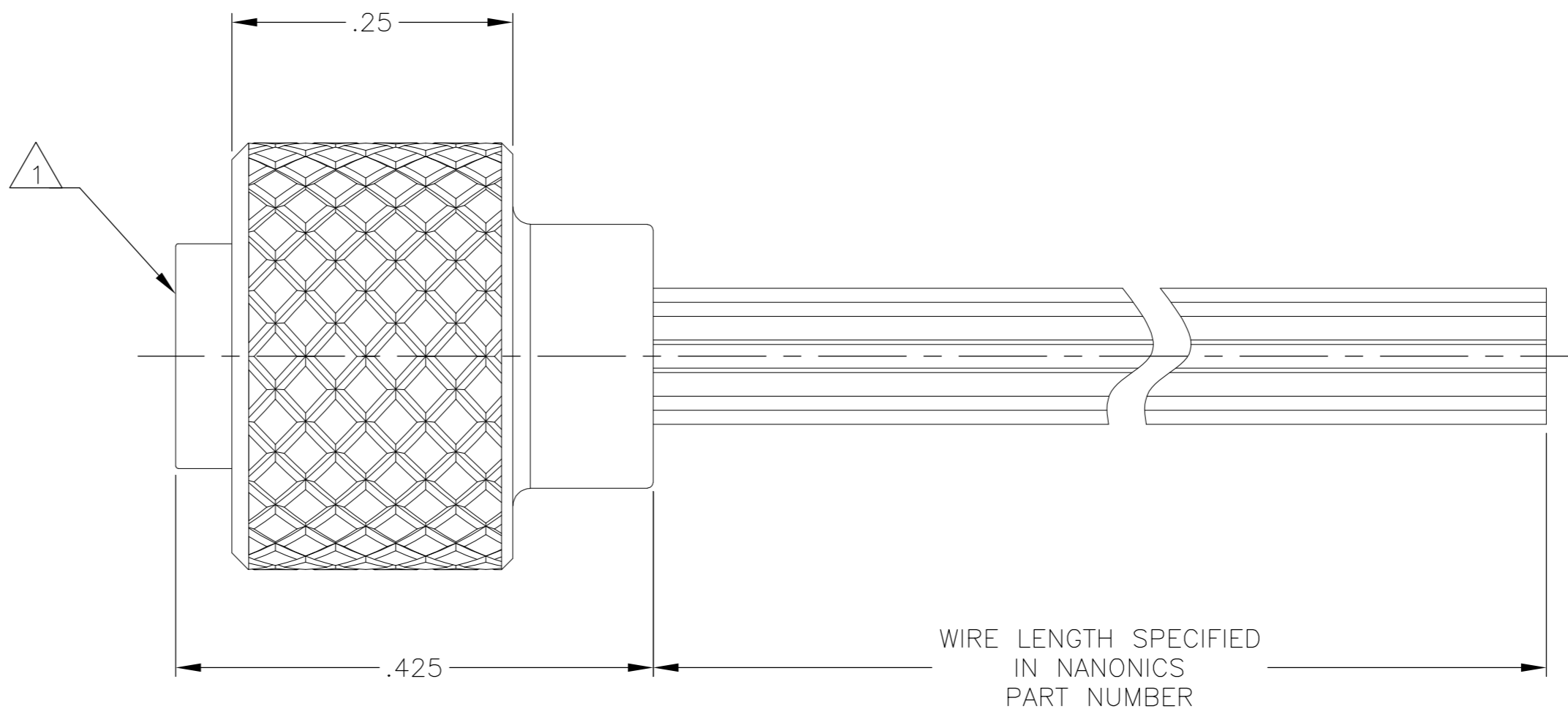
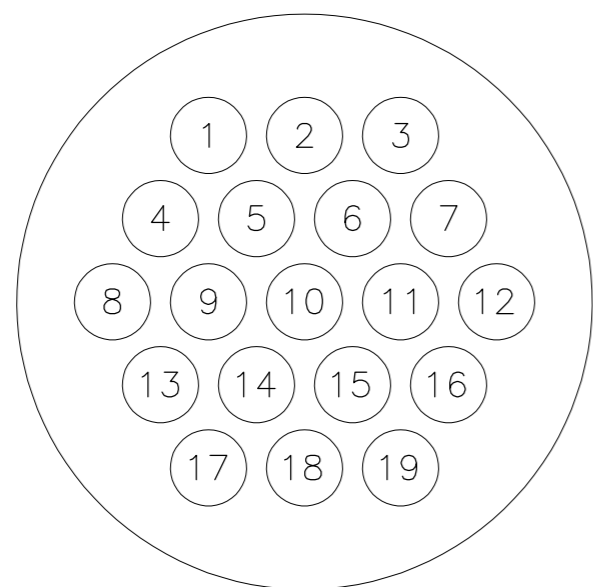


THIS DRAWING IS UNPUBLISHED. RELEASED FOR PUBLICATION
 © COPYRIGHT - By - ALL RIGHTS RESERVED.

LOC		DIST		REVISIONS			
P	LTR	DESCRIPTION	DATE	DWN	APVD		
	L	UPDATE PER ECO-11-013272	28 JUN 11	CAS	MKS		

CONTACT IDENTIFICATION



SECTION A-A

- 1 CONNECTOR BODY AND COUPLING NUT MATERIAL: 6061-T6 ALUMINUM, GOLD PLATED PER MIL-DTL-45204
 INSULATOR MATERIAL: LIQUID CRYSTAL POLYMER (LCP) PER ASTM D5138 OR POLYPHENYLENE SULFIDE (PPS) PER ASTM D4067
 RETAINING RING MATERIAL: STAINLESS STEEL, PASSIVATED PER SAE-AMS-2700
 O-RING MATERIAL: NITRILE
- 2 WIRE TERMINATION: 28 AWG SOLID, 30 AWG STRANDED WIRE OR SMALLER
- 3 PREVIOUS NANONICS DRAWING NUMBER C66023

THIS DRAWING IS A CONTROLLED DOCUMENT.		DWN	M. STORRY	08-19-97	STE TE Connectivity	
DIMENSIONS: INCHES		CHK	E. PAULUS	09-04-97		
TOLERANCES UNLESS OTHERWISE SPECIFIED:		APVD	M. STORRY	04-24-02		
0 PLC ± - 1 PLC ± - 2 PLC ± .010 3 PLC ± .005 4 PLC ± - ANGLES ± 1°		PRODUCT SPEC				
MATERIAL SEE NOTE		FINISH	SEE NOTE		NAME	PLUG ASSEMBLY, 19 POSITION, CIRCULAR, NCG SERIES
		WEIGHT	-		SIZE	A2
		CUSTOMER DRAWING			CAGE CODE	OPJN9
		SCALE	8:1		DRAWING NO	C=1589427
		SHEET	1 OF 1		RESTRICTED TO	-
		REV	L			