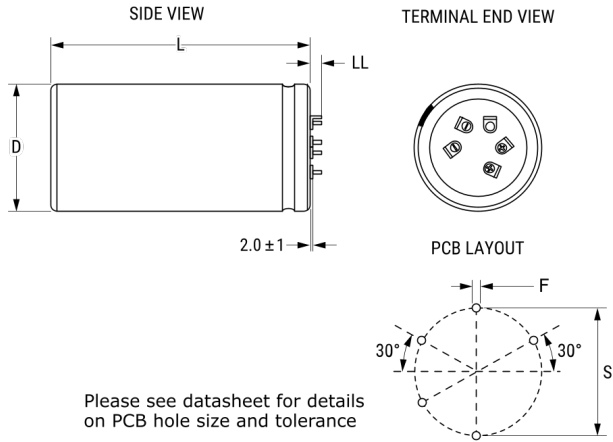


## ALF70G102FP600

Aliases (A556JW102M600G)

ALF70, Aluminum Electrolytic, 1,000 uF, 20%, 600 VDC, -40/+85°C



Click [here](#) for the 3D model.

### Dimensions

D	45mm +1mm
L	105mm +/-2mm
S	25mm +/-0.1mm
LL	5.5mm +/-1mm
F	1.486mm +/-0.076mm

### Packaging Specifications

Sleeving	Yes
Packaging	Bulk

### General Information

Series	ALF70
Dielectric	Aluminum Electrolytic
Style	Press-Fit
Description	Press-Fit, Aluminum Electrolytic
RoHS	Yes
Lead	5 Pin Press-Fit
AEC-Q200	No
Halogen Free	Yes
Component Weight	225 g
Notes	Dimensions D And L Include Sleeving.
Shelf Life	156 Weeks

### Specifications

Capacitance	1,000 uF
Capacitance Tolerance	20%
Voltage DC	600 VDC, 660 VDC (Surge)
Temperature Range	-40/+85°C
Rated Temperature	85°C
Life	18000 Hrs (Rated Voltage and Ripple Current at 85C), 29000 Hrs (Rated Voltage at 85C)
Resistance	132.3 mOhms (100Hz 20C), 92.06 mOhms (10kHz 20C)
Ripple Current	5.747 Amps (100Hz 85C), 11.48 Amps (10kHz 85C)
Leakage Current	3600 uA (5min 20°C)