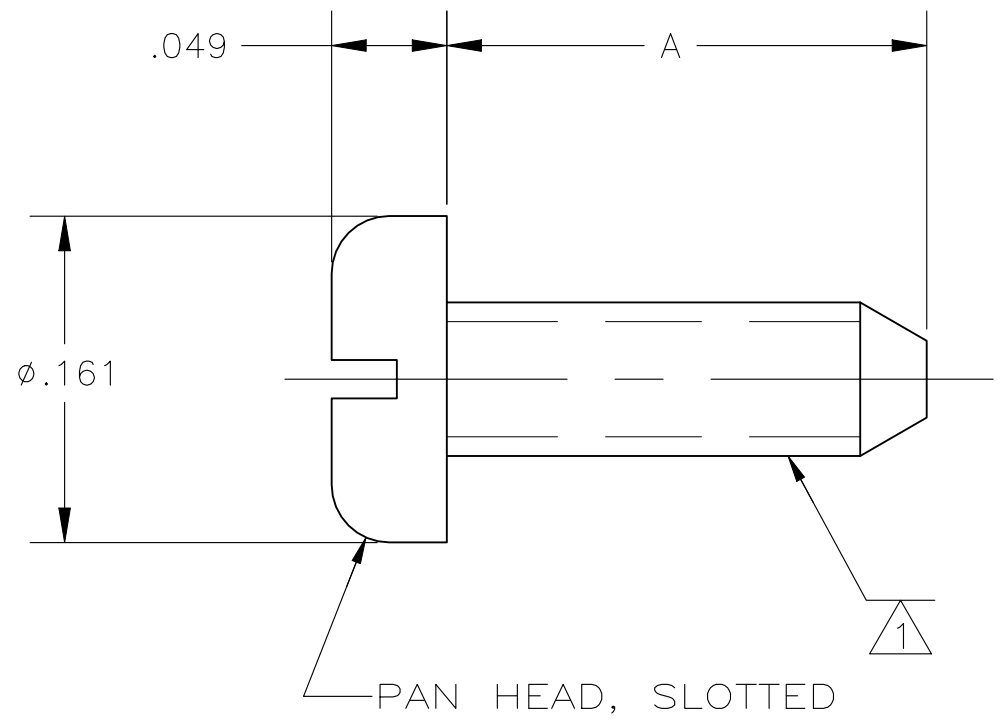


REVISIONS				
P	LTR	DESCRIPTION	DATE	APVD
	P1	REVISED PER ECN-22-154769	24MAY2022	RZ WK

- ① #2-56 SPECIAL THREAD-ROLLING SCREW THREAD
- ② CARBON STEEL PER AISI 1019-1022
- ③ ZINC PLATE



.250 MAX	9-221108-1
.312 MAX	9-221108-0
.250 MAX	221108-4
.312 MAX	221108-2
A DIM	PART NO

THIS DRAWING IS A CONTROLLED DOCUMENT.		DWN M SYKES 02JUN2006	STE TE Connectivity														
DIMENSIONS: INCHES		CHK DK SCHRUM 02JUN2006															
TOLERANCES UNLESS OTHERWISE SPECIFIED:		APVD JT LIPPERT 02JUN2006	NAME														
<table border="0"> <tr> <td>0 PLC</td> <td>± -</td> </tr> <tr> <td>1 PLC</td> <td>± -</td> </tr> <tr> <td>2 PLC</td> <td>± -</td> </tr> <tr> <td>3 PLC</td> <td>± .008</td> </tr> <tr> <td>4 PLC</td> <td>± -</td> </tr> <tr> <td>ANGLES</td> <td>± -</td> </tr> </table>		0 PLC	± -	1 PLC	± -	2 PLC	± -	3 PLC	± .008	4 PLC	± -	ANGLES	± -	PRODUCT SPEC	SCREW, SELF TAPPING		
0 PLC	± -																
1 PLC	± -																
2 PLC	± -																
3 PLC	± .008																
4 PLC	± -																
ANGLES	± -																
MATERIAL		APPLICATION SPEC	SIZE	CAGE CODE	DRAWING NO	RESTRICTED TO											
②		FINISH	A3 00779 C-221108			—											
③		CUSTOMER DRAWING		SCALE	SHEET	REV											
				NTS	1 OF 1	P1											