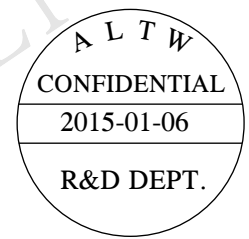
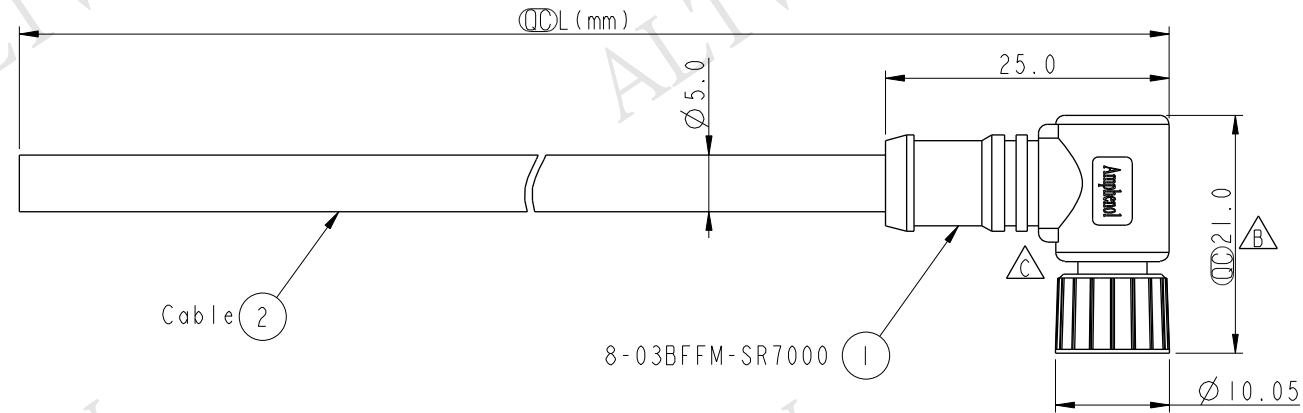


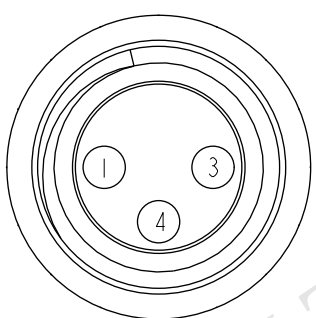
THIS DOCUMENT IS SUBJECT TO CHANGE WITHOUT NOTICE. IT IS CONFIDENTIAL AND A PROPERTY OF Amphenol LTW. DISCLOSURE TO THIRD PARTY HAS TO BE AUTHORIZED BY Amphenol LTW.

REV.	ECN NO.	DATE	SIGN	DESCRIPTION
B	LEN-920012~015	2009/02/02	Vicky	Update the drawing.
C	LEN1510232~235	2015/01/06	Sam	Update logo.



8-03BFFM-SR7AXX
 XX: 01~99Meters
 01: 01Meter
 02: 02Meters

 99: 99Meters
 Cable Length(L): 01~99Meters



Pin Assignments
Front View

4	Black	黑
3	Blue	藍
1	Brown	棕
Conn.	Wire Color	
	Pin Out	

- Notes:
- * \varnothing Important Dimension.
 - * Waterproof Rate: IP67.
 - * Connector: PU, Black.
 - * Female Pin: Copper Alloy, Gold Plated.
 - * Cable: UL2464 22AWG*3C+Talcum, Black, PVC Jacket, UV Resistant, OD=5.0mm.
 - * Cable Length Tolerance:
 - 01M: ±40mm
 - 02M~05M: ±60mm
 - 06M~10M: ±100mm
 - 11M~30M: ±200mm
 - 31M~99M: ±500mm

UNIT: mm

TOLERANCE: ±0.5 mm

TITLE			
M8 Conn Cable Screw 3P F Conn F Pin			
SCALE	SIZE	SHEET OF	
3:2	A4	1 OF 1	
REV.	WC-REV.	\varnothing : Inspection item	
C	A.1		

Amphenol LTW
 安費諾亮泰企業股份有限公司

ITEM NO	DRAWN BY	DATE
	Sam	2015-01-06
DWG NO	CHECKED BY	DATE
8-03BFFM-SR7AXX	Vicky	2015-01-06
CUSTOMER	APPROVED BY	DATE
ALTW	Rita	2015-01-06