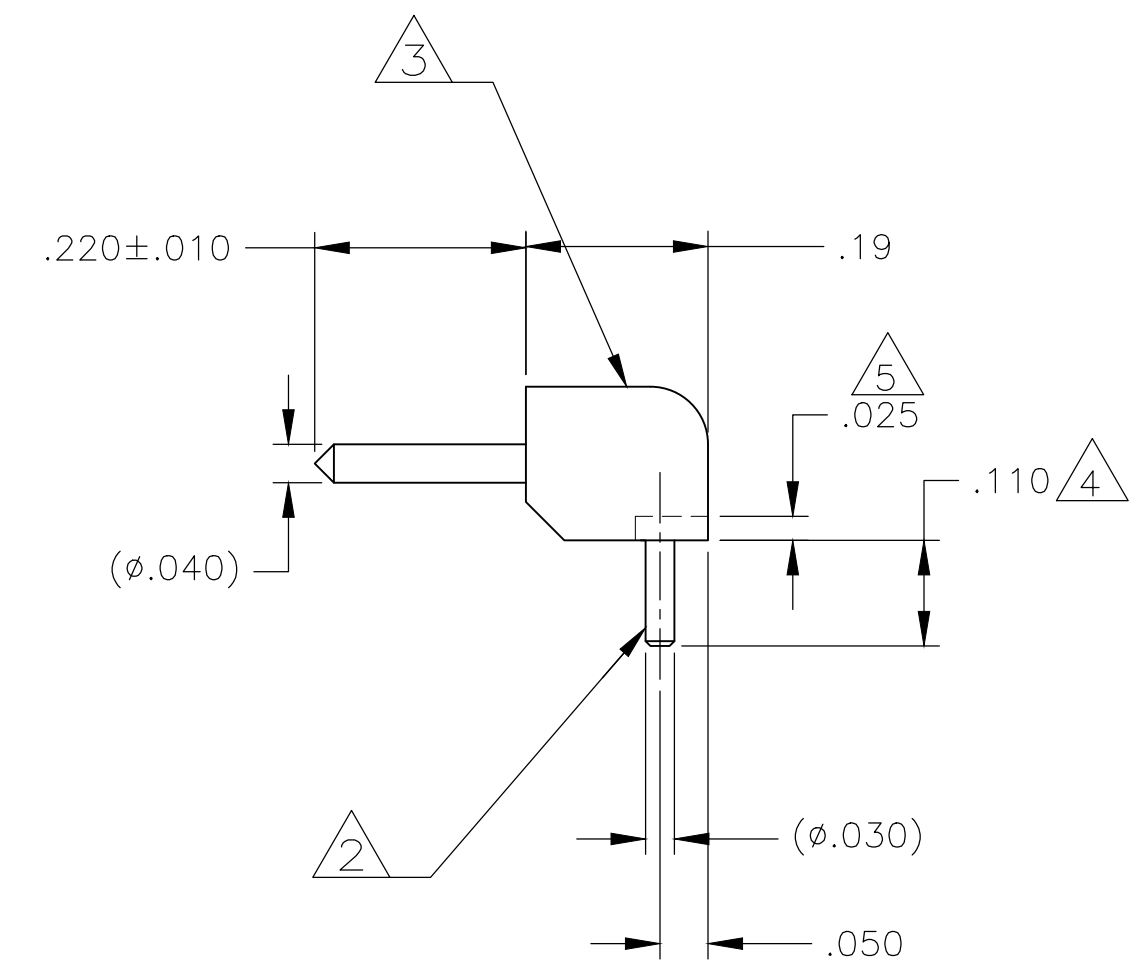
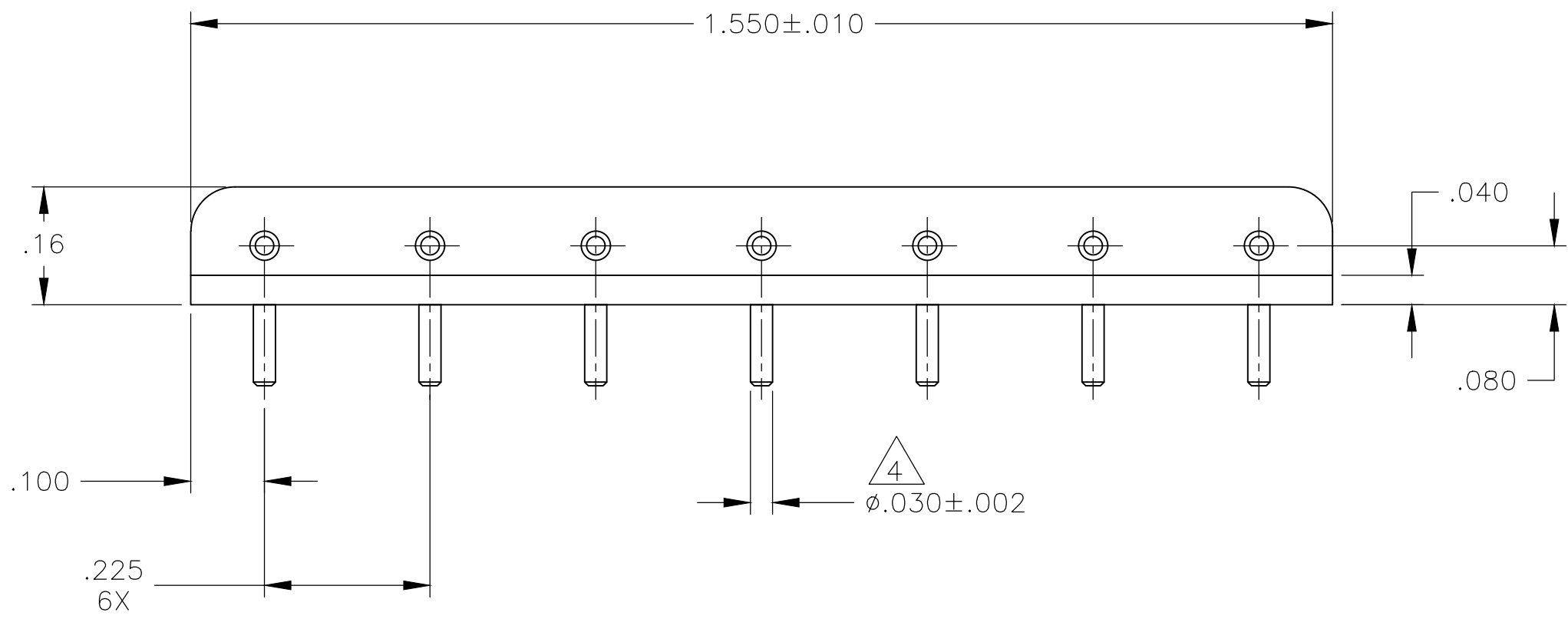


THIS DRAWING IS UNPUBLISHED. RELEASED FOR PUBLICATION
 © COPYRIGHT - TE Connectivity Ltd. ALL RIGHTS RESERVED.

REVISIONS					
P	LTR	DESCRIPTION	DATE	DWN	APVD
7	F	REV PER ECO 19-008058	6-19-19	CT	PD



- 1 MATERIAL: INSULATOR - GLASS FILLED THERMOPLASTIC
VO RATED PER MIL-M-24519; COLOR: BLACK
MATERIAL: CONTACT - BRASS
FINISH: GOLD PLATE .000050-.000070 THK PER ASTM B 488 (2011)
OVER NICKEL UNDERPLATE .00075-.000150 THK PER SAE-AMS-QQ-N-290
- 2 THIS END SOLDER DIPPED IN ACCORDANCE WITH MII STD 202, METHOD 208.
- 3 CUST P/N, AMP AND DATE CODE LOCATED IN THIS APPROXIMATE AREA.
- 4 PIN LENGTH AND WIDTH DIMENSIONS ARE PRIOR TO SOLDER DIPPING.
- 5 FLUX CLEAN OUT ZONE.

7	---	1	447465-2
7	11750890	2	447465-1
POS.	CUSTOMER PART NO	MATERIAL	PART NO

THIS DRAWING IS A CONTROLLED DOCUMENT.		DWN C.C.THOMAS 6-19-19	 TE Connectivity Ltd.
DIMENSIONS: INCHES		CHK P.D'AMATO 6-19-19	
TOLERANCES UNLESS OTHERWISE SPECIFIED:		APVD P.D'AMATO 6-19-19	
0 PLC ± - 1 PLC ± - 2 PLC ± .01 3 PLC ± .005 4 PLC ± - ANGLES ± -		PRODUCT SPEC	
MATERIAL -	FINISH -	APPLIC. SPEC -	NAME FUZE SYSTEM CONNECTOR HEADER, RIGHT ANGLE
1		WEIGHT 0.000000	SIZE A2
1		CUSTOMER DRAWING	CAGE CODE 00779
		SCALE 5:1	DRAWING NO C=447465
		SHEET 1 OF 1	RESTRICTED TO -
		REV F	