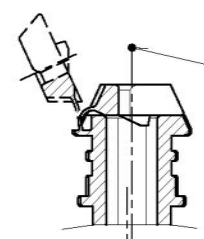
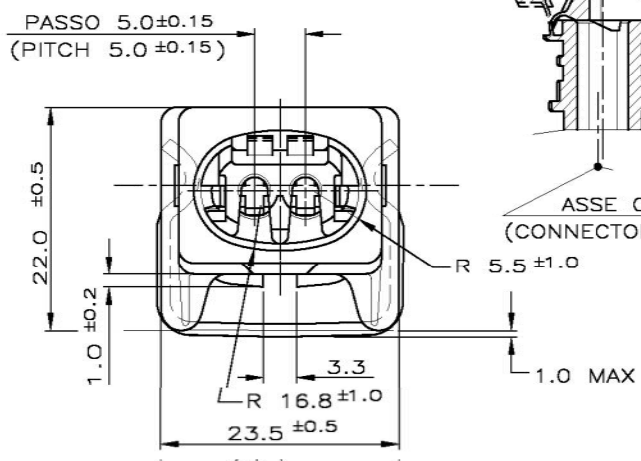
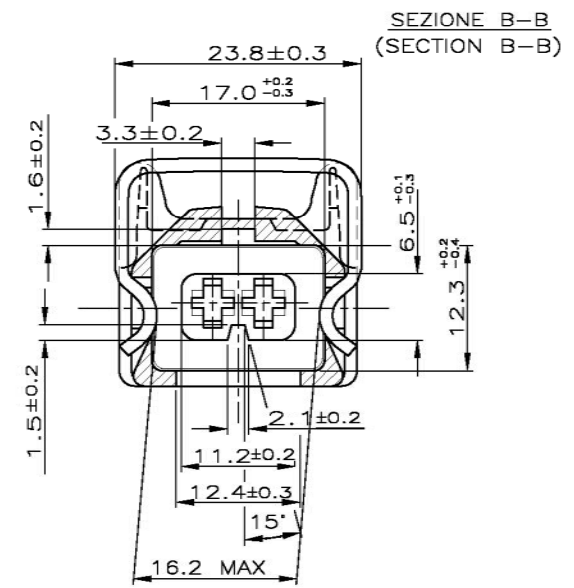
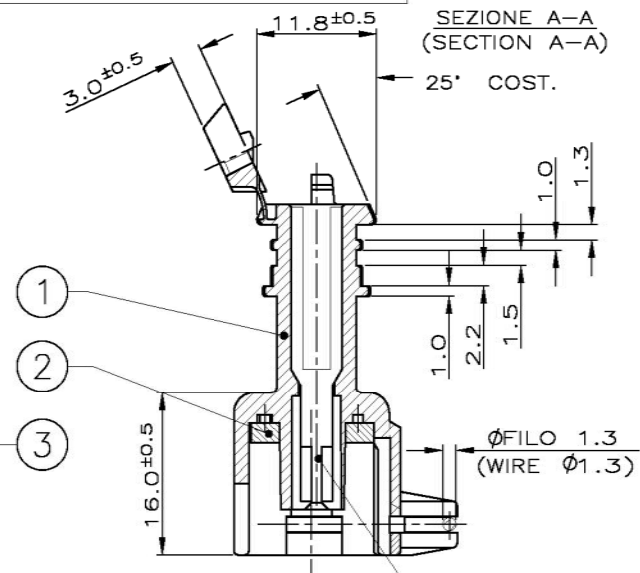
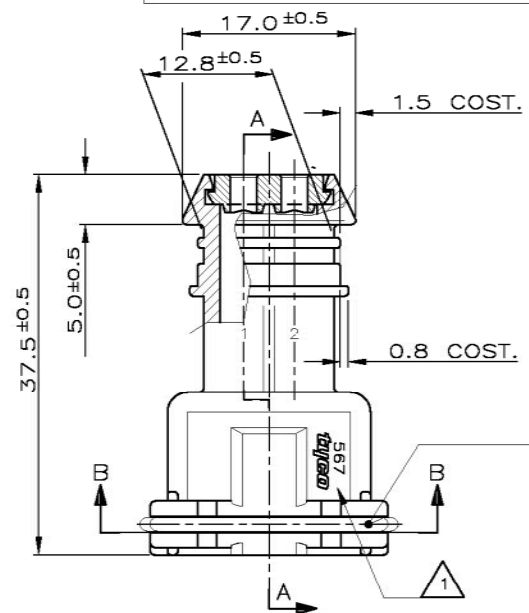


THIS DRAWING IS UNPUBLISHED. RELEASED FOR PUBLICATION ALL RIGHTS RESERVED.

LOC		DIST		REVISIONS			
P	LTR	DESCRIPTION	DATE	DWN	APVD		
M 1	ECO-15-014129		28-09-2015	M.P.	M.G.		

CONNETTORE TIPO A (CON MOLLA DI RITEGNO ESTERNA)
CONNECTOR TYPE A (WITH EXTERNAL SPRING)



TIP. CAVITA' PER TERMINALI AMP JPT P/N 929939-...
OPPURE 929937-... E RELATIVI GOMMINI
AMP P/N 828904-1, 828905-1, 282536-1.
TAPPO CAVITA' P/N 828906-2
(TYP. CAV. FOR JPT CONT. P/N 929939-... A/O 929937-... AND REL.
SINGLE WIRE SEAL P/N 828904-1, 828905-1, 282536-1
CAVITY PLUG P/N 828906-2)

NERO (BLACK)	2-282189-1
ROSSO (RED)	282189-8
GIALLO (YELLOW)	282189-7
MARRONE (BROWN)	282189-6
BLU (BLUE)	282189-5
VERDE (GREEN)	282189-4
BIANCO (WHITE)	282189-3
GRIGIO (GREY)	282189-2
NERO (BLACK)	282189-1
COLORE (COLOR)	NUMERO (PART. N°)

METRIC	DIAM. ISOLANTE (INS. DIA. RANGE) 1.5-3.0 (REDUCED INS. CABLE)	RANGO FILO (WIRE RANGE) 0.5-2.5 mm ²
CUSTOMER DWG. FOR REFERENCE ONLY	DISEGNO PER CLIENTE SOLO PER RIFERIMENTO	
3	ACCAIO INOX (STAINLESS STEEL)	MOLLA (SPRING)
2	GOMMA SILICONICA (SILICONE RUBBER)	GUARNIZIONE (RUBBER GASKET)
1	PA 6.6	BLOCCETTO (HOUSING)
N (ITEM)	FINITURA / COLORE (FINISH / COLOUR)	MATERIALE (MATERIAL)
		DESCRIZIONE (DESCRIPTION)

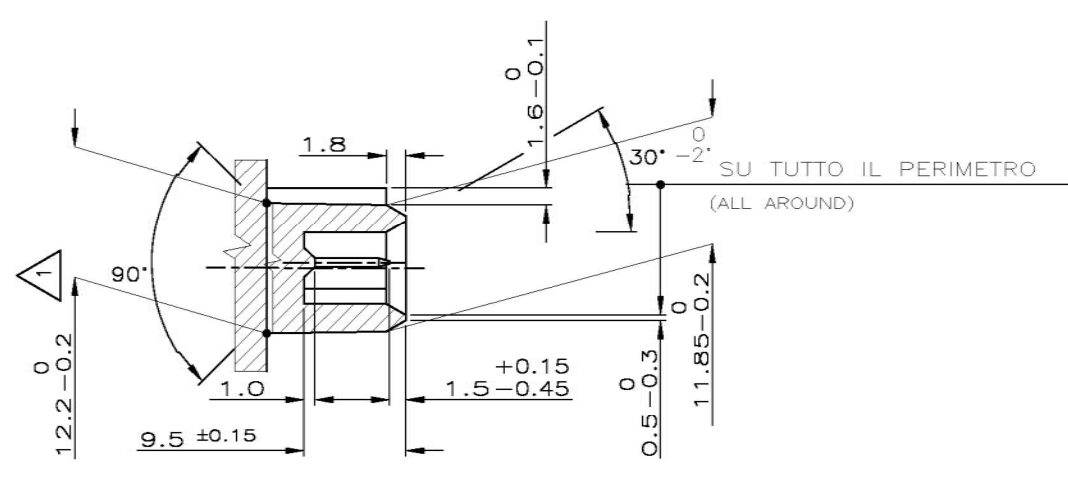
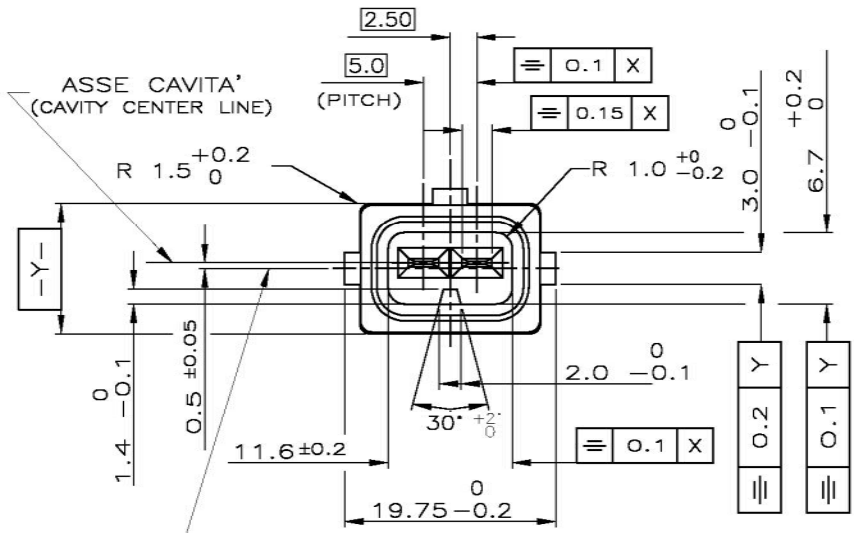
THIS DRAWING IS A CONTROLLED DOCUMENT.

DIMENSIONS: mm	TOLEPERANCES UNLESS OTHERWISE SPECIFIED:
	0 PLC ± -
	1 PLC ± 0.3
	2 PLC ± -
	3 PLC ± -
	4 PLC ± -
	ANGLES ± 2'
MATERIAL	FINISH

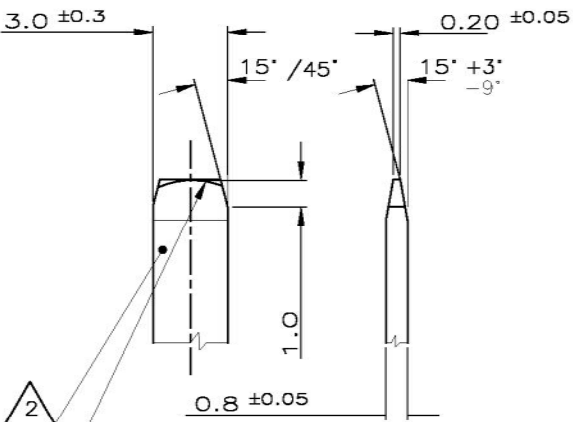
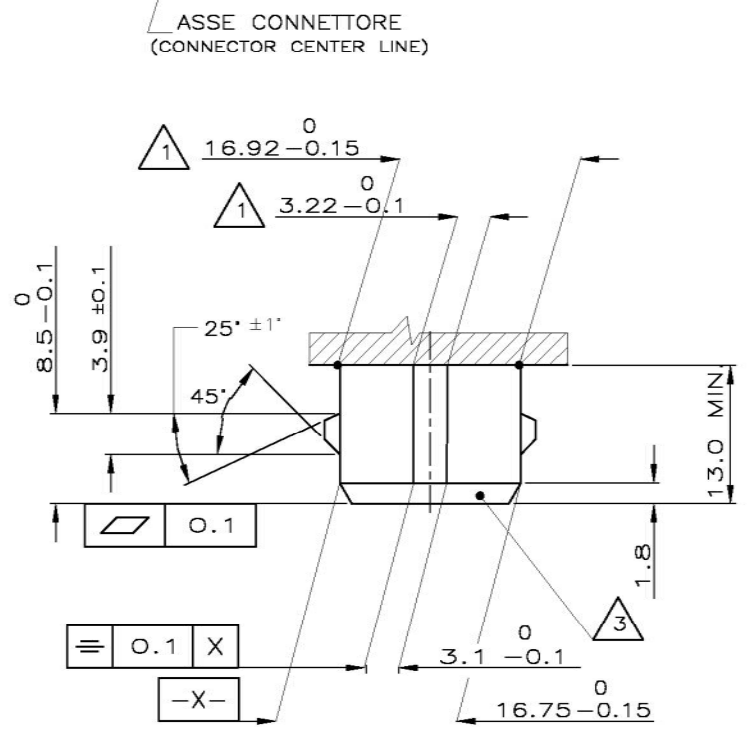
DWN: Ennio CINI	NOV. 9'90	STE TE Connectivity
CHK: C. TARTARI	13 OCT 92	
APVD: -	PRODUCT SPEC	NAME: 2 W.SPLASH PROOF CONN.ASS'Y with SECONDARY LOCK
APPLICATION SPEC	WEIGHT: -	SIZE: A3
WEIGHT: -	CAGE CODE: 00779	DRAWING NO: C-282189
CUSTOMER DRAWING	SCALE: -	SHEET: 1 of 2
		REV: M1

- 1 LOGO TYCO O, IN ALTERNATIVA, LOGO AMP (TYCO LOGO OR, IN ALTERNATIVE, AMP LOGO) (AMP)
- 2 DIFFERISCE DAL ...-1 ESCLUSIVAMENTE PER IL PACKAGING (DIFFERS FROM ...-1 ONLY FOR PACKAGING DETAILS)
- 3) PER DIMENSIONI CONTROPARTE VEDERE FOGLIO 2 (FOR COUNTERPART DIMENSIONS SEE SHEET 2)
- 4) SPECIFICA DI IMBALLO TE Nr. 107-20047 (TE PACKAGING SPECIFICATION No.107-20047)

LOC	DIST	REVISIONS					
I	-	P	LTR	DESCRIPTION	DATE	DWN	APVD
		-		SEE SHEET 1	-	-	-



DETT. LINGUETTA TAB-SCALA 5:1
(TAB DETAIL)



FORMA ALTERNATIVA PERMESSA CON RAGGIO
(ALLOWED ALTERNATIVE PROFILE WITH RADIUS)

- 1 QUOTE APPLICABILI PER SFORMATURA PEZZO (DRAFT PERMITTED TO FACILITATE REMOVAL OF PART FROM THE MOULD)
- 2 MATERIALE LINGUETTE: LEGA DI RAME STAGNATA, ES. OTTONE STAGNATO. (TAB CONTACT MATERIAL: TIN PLATED COPPER ALLOY. E.G. BRASS TIN PLATED)
- 3 MATERIALE BLOCCHETTO: TERMOPLASTICO CARICATO FIBRA VETRO. (HOUSING MATERIAL: THERMOPLASTIC, GLASS FIBER FILLED)

METRIC	DIAM. ISOLANTE (INS. DIA. RANGE)	RANGO FILO (WIRE RANGE)
	---	---

CUSTOMER DWG. FOR REFERENCE ONLY DISEGNO PER CLIENTE SOLO PER RIFERIMENTO

THIS DRAWING IS A CONTROLLED DOCUMENT.		DWN	-	NAME	
DIMENSIONS: mm		CHK	-	2 POS.SPLASH PROOF CONN.ASS'Y with SECONDARY LOCK	
TOLEANCES UNLESS OTHERWISE SPECIFIED:		APVD	-	SIZE	CAGE CODE
0 PLC ± -		PRODUCT SPEC	-	A3	00779
1 PLC ± 0.3		APPLICATION SPEC	-	DRAWING NO	C-282189
2 PLC ± -		WEIGHT	-	RESTRICTED TO	-
3 PLC ± -		CUSTOMER DRAWING			
4 PLC ± -		SCALE		SHEET 2 of 2	
ANGLES ± 2'		REV M1			
MATERIAL		FINISH			

FINITURA / COLORE (FINISH / COLOUR)	MATERIALE (MATERIAL)	NUMERO (PART NUMBER)