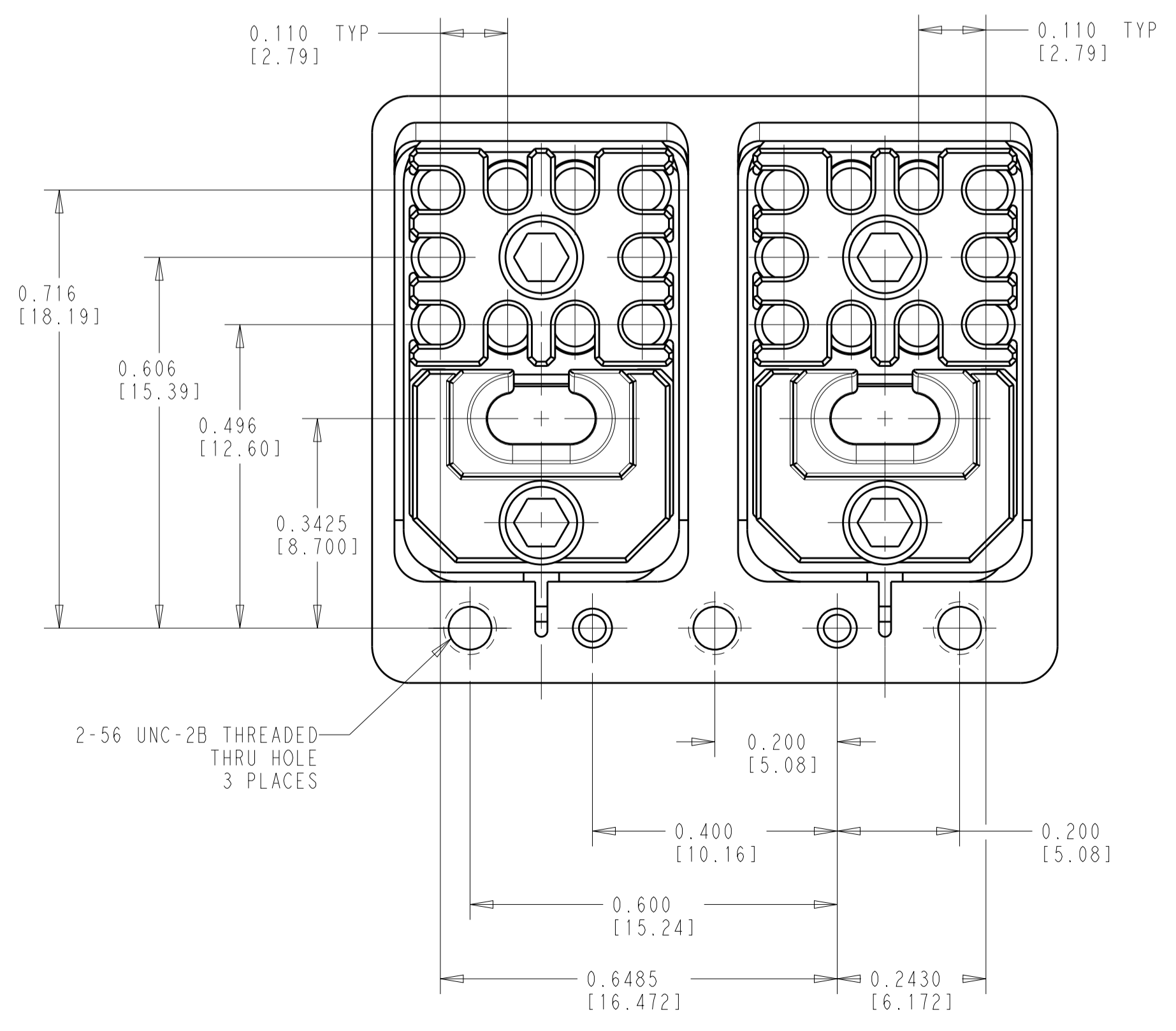
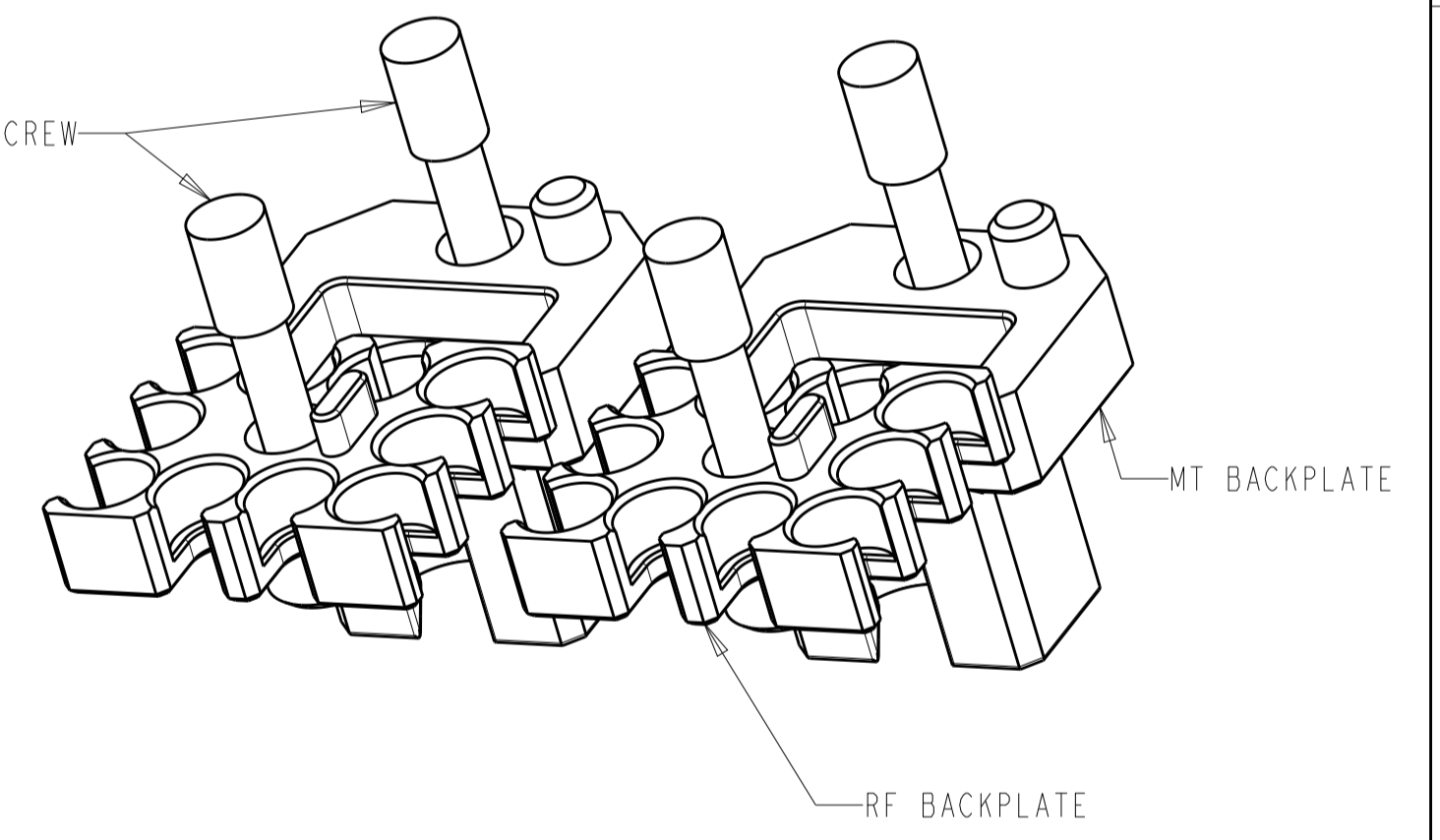
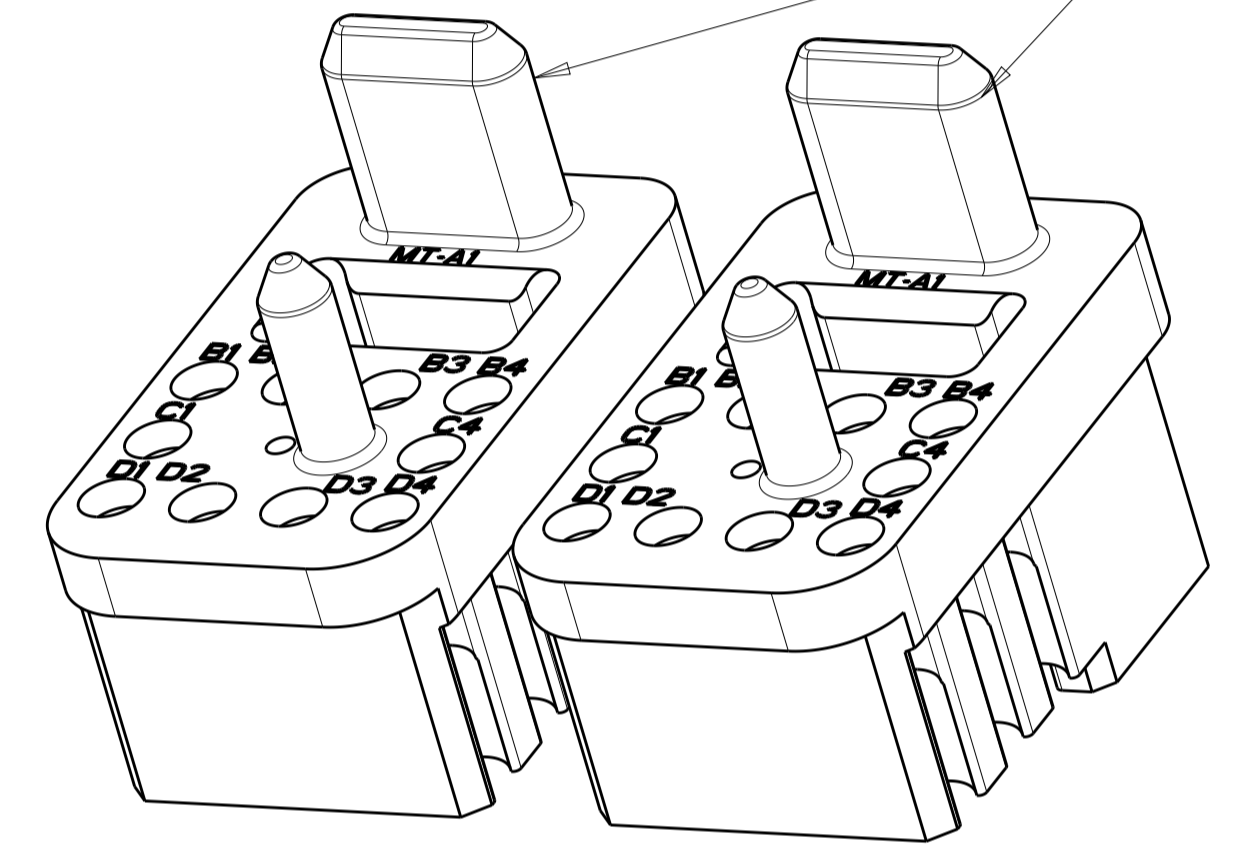
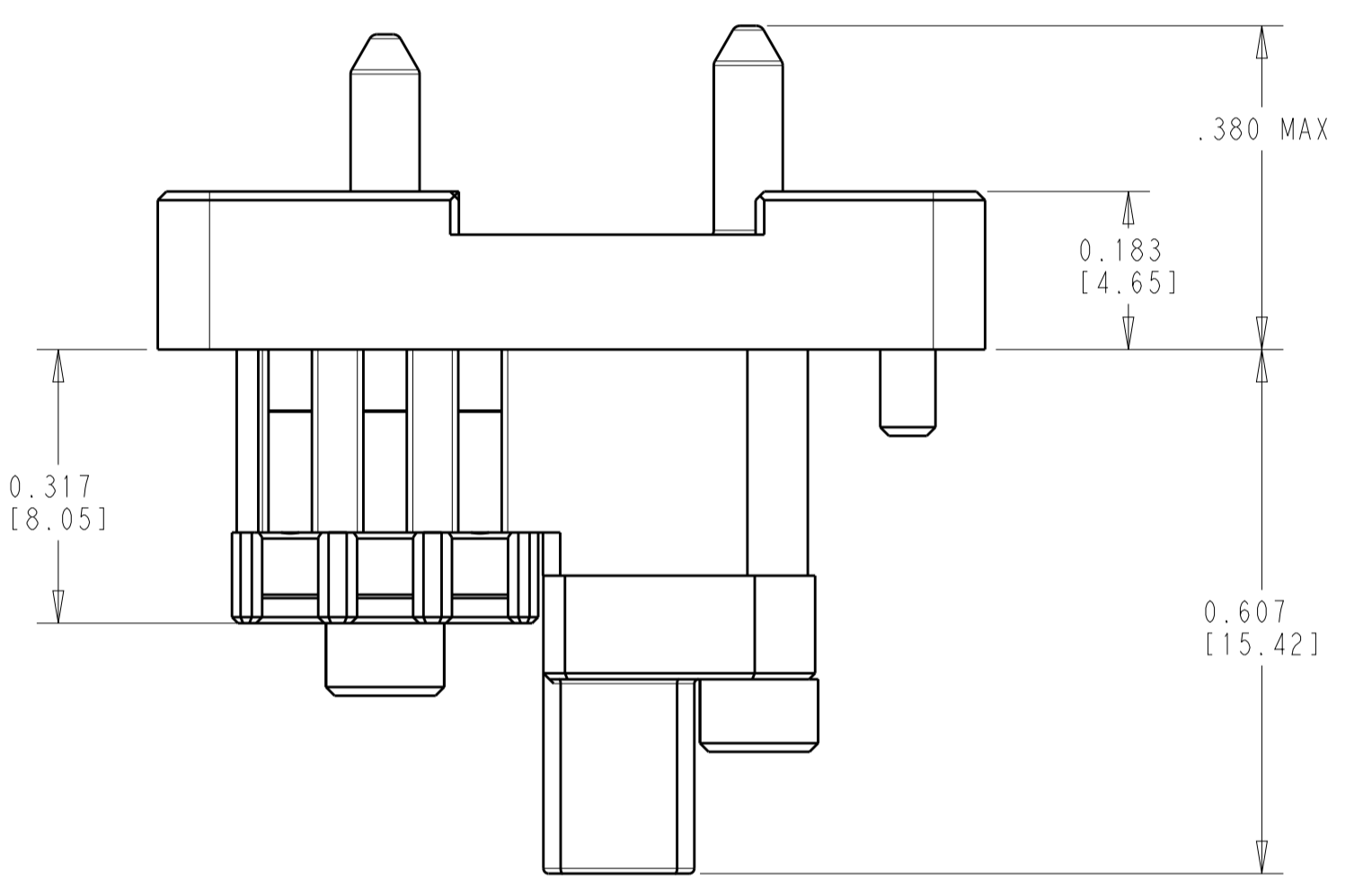
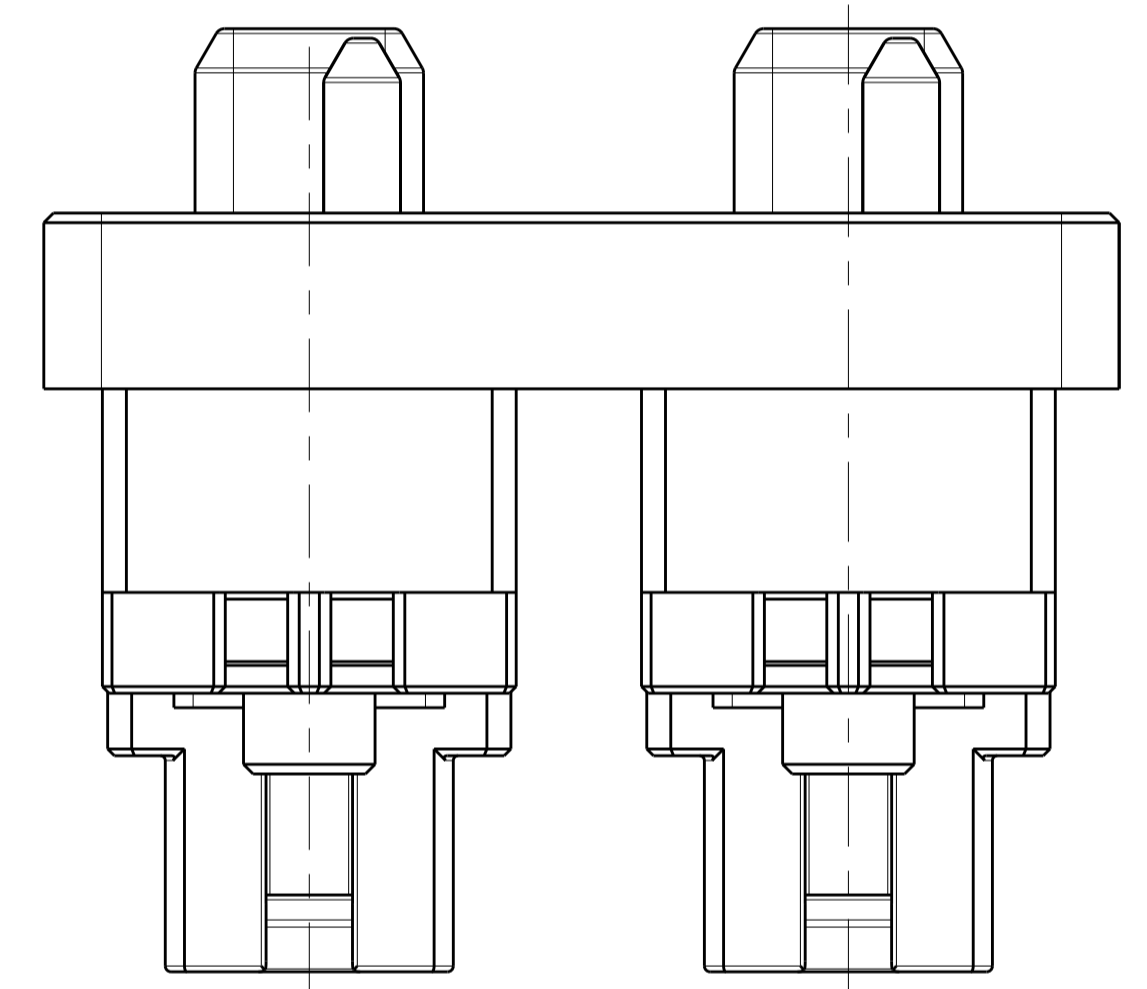
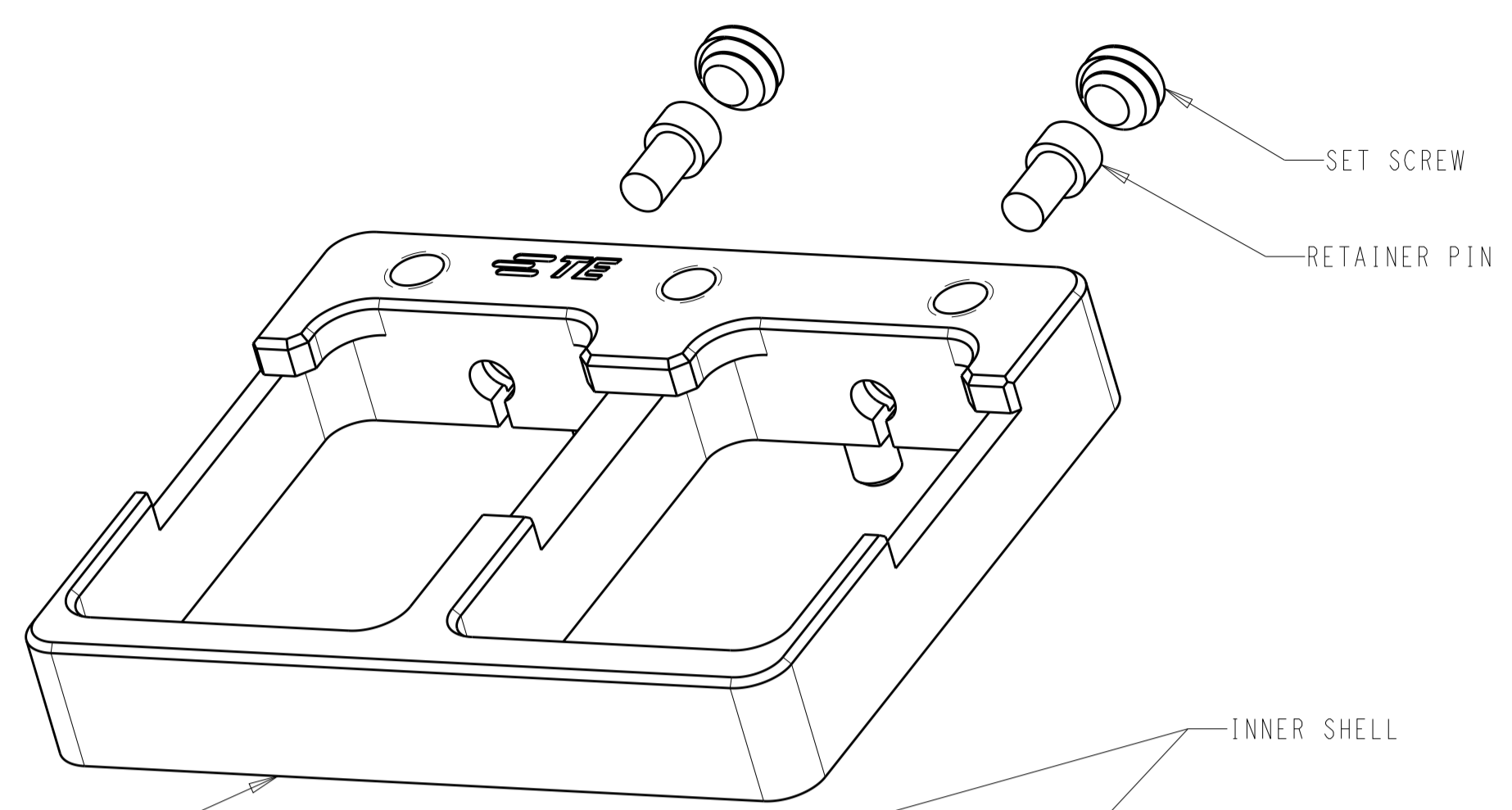
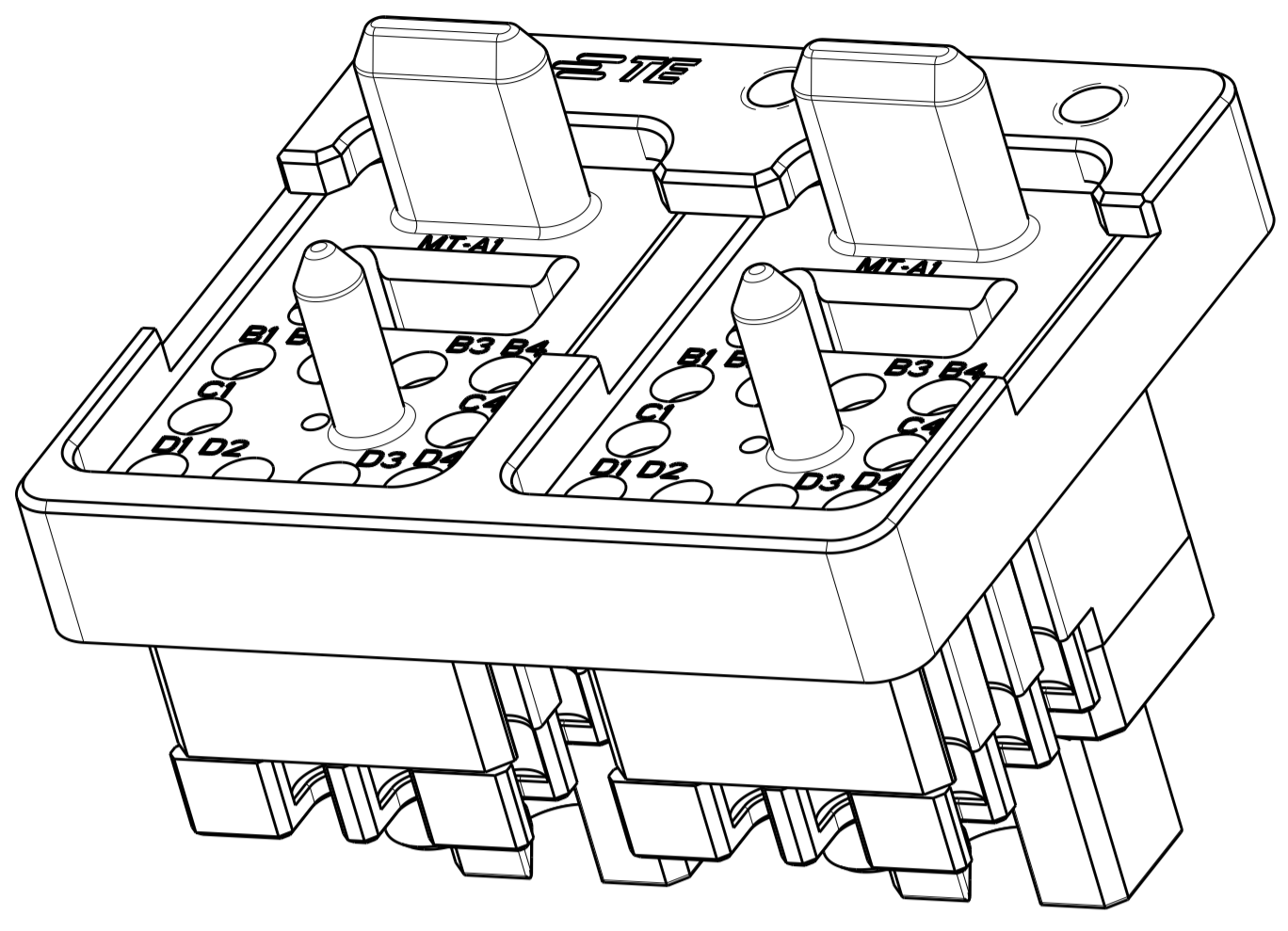
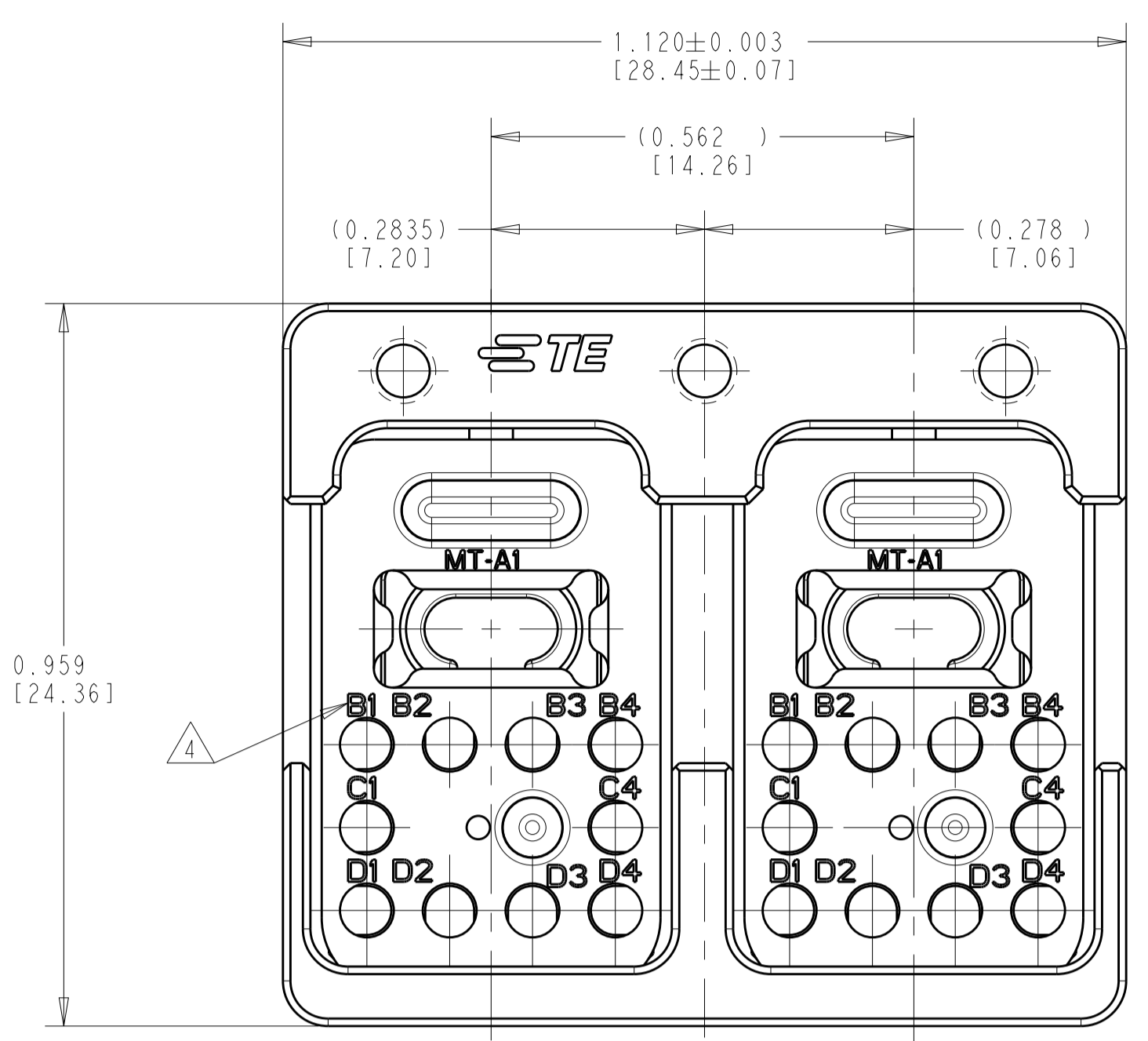


REVISIONS				
P	LTM	DESCRIPTION	DATE	OWN APVD
A		RELEASED PER ECO-20-017928	15DEC2020	KM CG

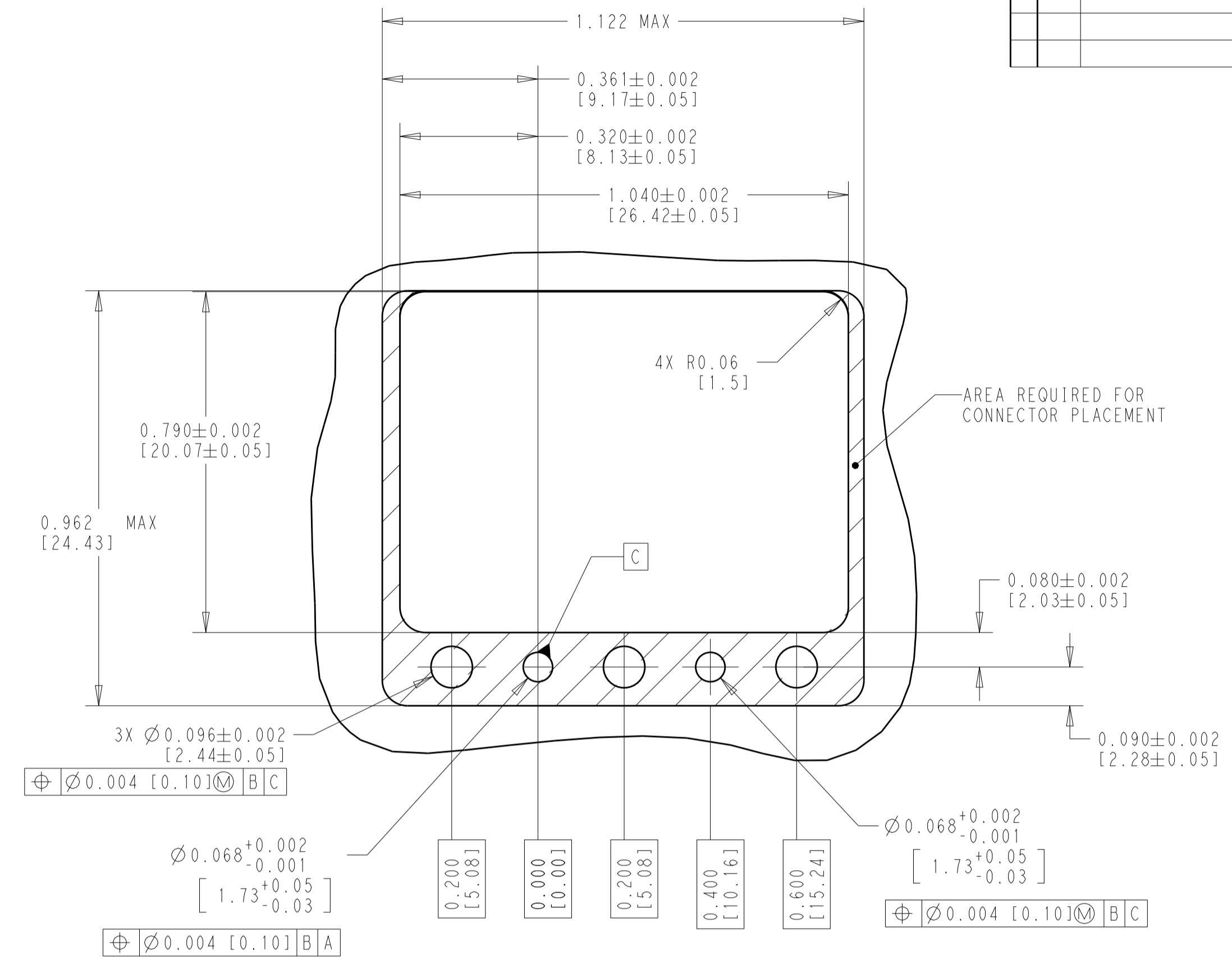


- 1 MATERIAL:
OUTER SHELL, INNER SHELLS AND BACKPLATES - ALUMINUM ALLOY
SCREWS AND PINS - 300 SERIES STAINLESS STEEL
- 2 FINISH:
OUTER SHELL, INNER SHELLS AND BACKPLATES - CLEAR CHROMATE CONVERSION COATING
SCREWS AND PINS - PASSIVATED
- 3. SHIPPED IN KIT FORM. BACKPLATE SCREWS TO BE ASSEMBLED TO BACKPLATE.
INNER AND OUTER SHELLS TO BE ASSEMBLED TOGETHER WITH RETAINER PIN AND SET SCREW.
- 4 CIRCUIT IDENTIFICATION MARKING
- 5. DESIGNED TO BE USED WITH NanoRF CONTACTS 2302345-1 AND
MT FERRULE KIT 2332756-1 (12 FIBER) OR 2332756-2 (24 FIBER)
ORDERED SEPARATELY.
- 6 PRODUCT SPEC:
NanoRF: 108-163006
MT FIBER OPTIC: 108-163029
- 7 APPLICATION SPEC:
NanoRF: 408-163016
MT FIBER OPTIC: 114-163023

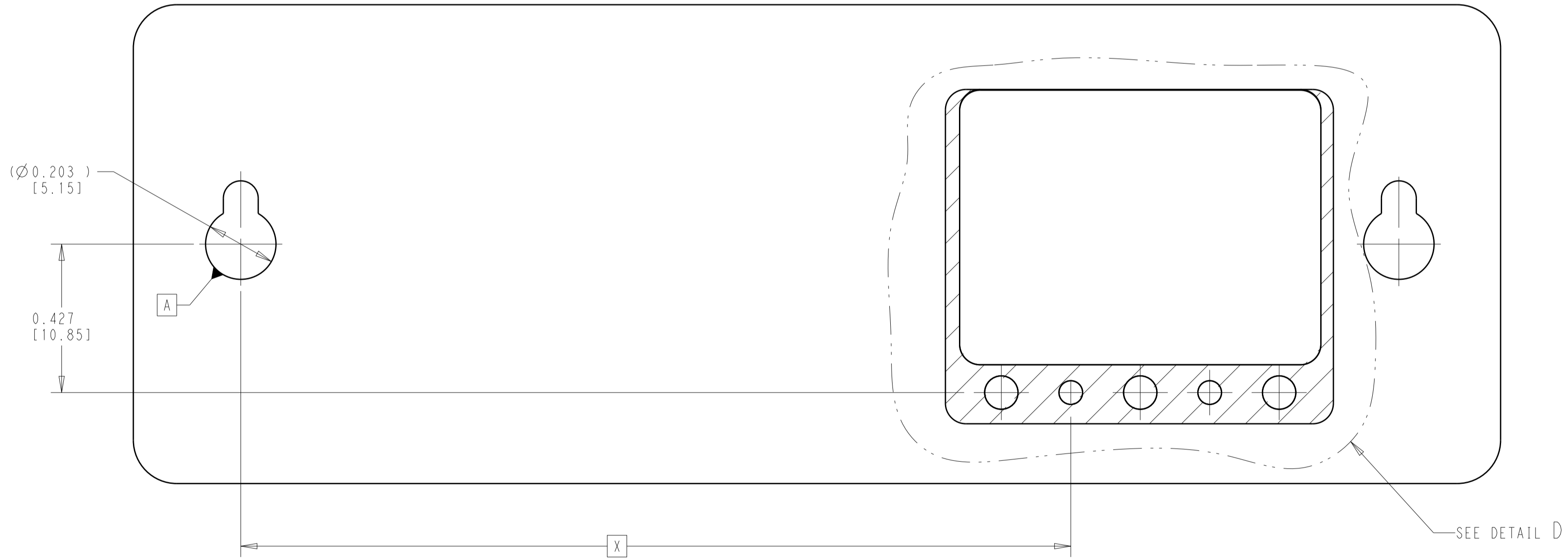
2378048-1
PART NUMBER

THIS DRAWING IS A CONTROLLED DOCUMENT.		OWN R. MILLER 31 JUL 2020	TE Connectivity
DIMENSIONS: INCHES		CHK C. GINGRICH 31 JUL 2020	
TOLERANCES UNLESS OTHERWISE SPECIFIED:		APVD	NAME NanoRF MODULE, BACKPLANE, 2 POSITION F/O PLUS 20 POSITION .047 CABLE SOSA, 14.26mm
0 PLC ± 1 PLC ± 2 PLC ± 3 PLC ±.005(0.13) 4 PLC ± ANGLES °		PRODUCT SPEC 6	SIZE A
MATERIAL		APPLICATION SPEC 7	RESTRICTED TO
FINISH		WEIGHT	CAGE CODE DRAWING NO 00779 ©=2378048
CUSTOMER DRAWING		SCALE 5:1	SHEET 1 OF 2 REV A

REVISIONS				
P.	LTN	DESCRIPTION	DATE	APVD
-	-	SEE SHEET 1	-	-



DETAIL D
SCALE 4:1



REF PCB LAYOUT - SEE VITA 67.3 FIGURE 6.1.4.1-1

J2	2.385[60.58]
J3	3.942[100.13]
J4	5.276[134.00]
J5	6.409[162.80]
J6	7.557[191.95]
POSITION	DIM "X"

THIS DRAWING IS A CONTROLLED DOCUMENT.		DWN: R. MILLER 31JUL2020 CHK: C. GINGRICH 31JUL2020	TE Connectivity
DIMENSIONS: INCHES	TOLERANCES UNLESS OTHERWISE SPECIFIED: 0 PLC ± 1 PLC ± 2 PLC ± 3 PLC ±.005[0.13] 4 PLC ± ANGLES ± FINISH	APVD: - PRODUCT SPEC: APPLICATION SPEC: WEIGHT: - CUSTOMER DRAWING	
SCALE 5:1 SHEET 2 OF 2 REV A			