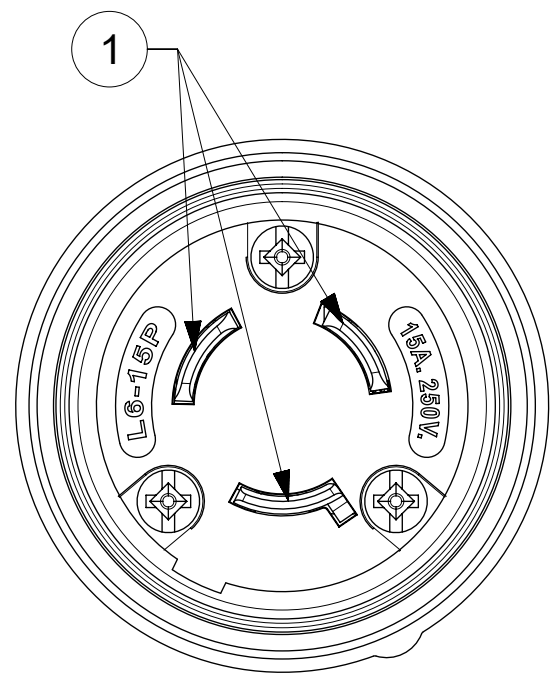
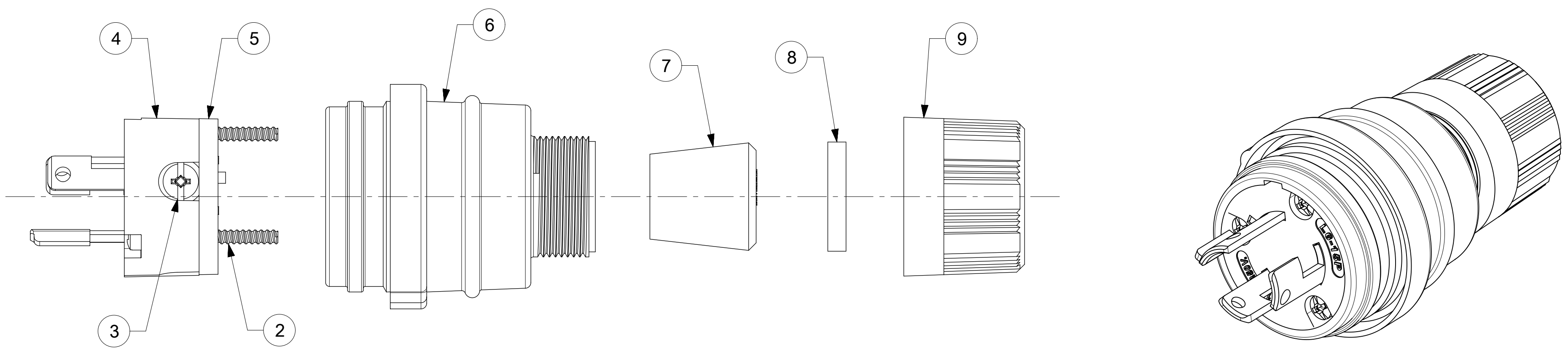
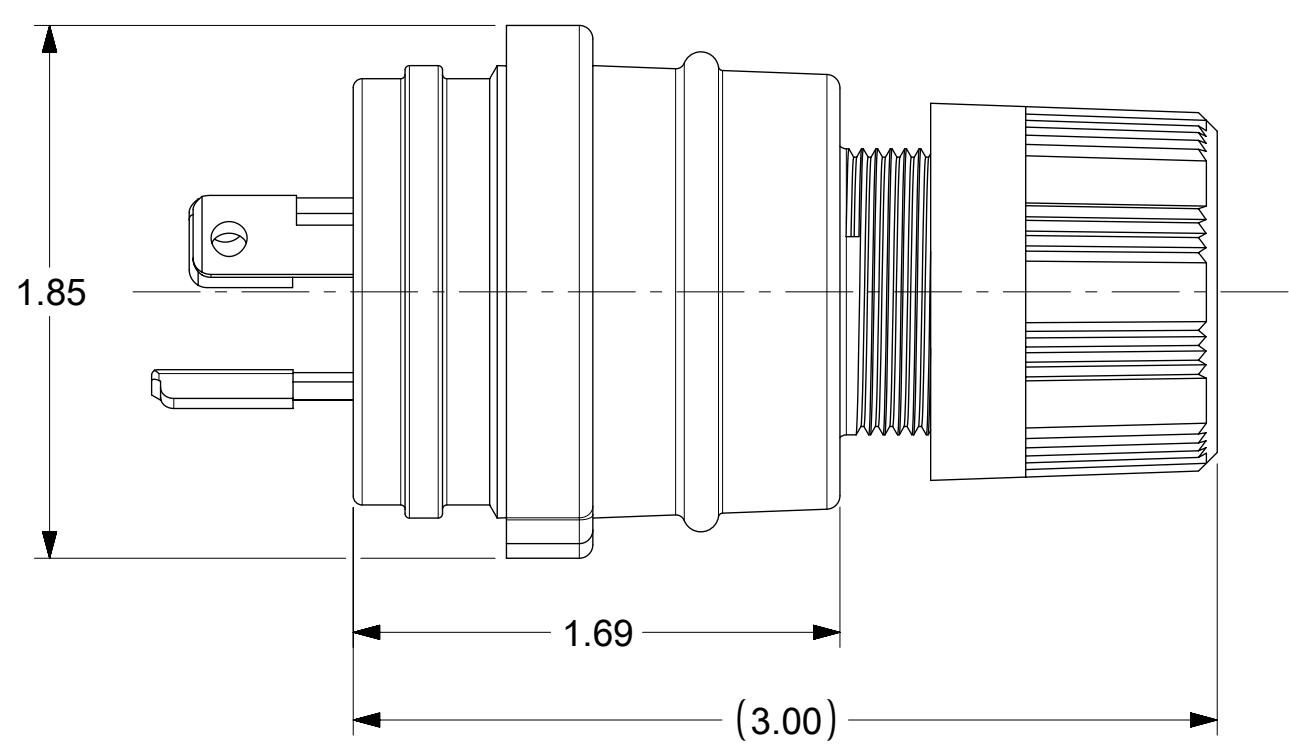


ORDER NO.	WOODHEAD NO.	COLOR
130146-0211	24W49-P	YELLOW



**FACE VIEW**



**NOTES:**  
 1. SEE INSTRUCTION SHEET NUMBER 1301414770 FOR PRODUCT SPECIFICATION.  
 2. CABLE RANGE FROM 0.375" TO 0.625"

ITEM NO.	DESCRIPTIONS	MATERIAL	QTY.
1	BLADES	BRASS	3
2	RETAINING SCREWS	STAINLESS STEEL	3
3	TERMINAL SCREWS	BRASS, ZINC PLATED	3
4	INSERT	NYLON	1
5	TERMINAL COVER	POLYCARBONATE	1
6	HOUSING	RUBBER WITH NYLON THREAD	1
7	GROMMETS	RUBBER	5
8	FRICTION RING	NYLON	1
9	COMPRESSION NUT	NYLON	1

SYMBOLS		THIS DRAWING CONTAINS INFORMATION THAT IS PROPRIETARY TO MOLEX ELECTRONIC TECHNOLOGIES, LLC AND SHOULD NOT BE USED WITHOUT WRITTEN PERMISSION		CURRENT REV DESC: RELEASED		<b>molex</b>			
▽ = 0	INCH	SCALE	NTS	EC NO: 613683					
▽ = 0	GENERAL TOLERANCES (UNLESS SPECIFIED)		DRWN: ABABU01		2018/11/13	WATERTITE PLUG, L6-15P			
▽ = 0	ANGULAR TOL ± 0.5°		CHK'D: DNGUYEN62		2019/03/15				
▽ = 0	4 PLACES ±		APPR: HKNEELAND		2019/03/21	PRODUCT CUSTOMER DRAWING			
▽ = 0	3 PLACES ± 0.005		INITIAL REVISION:		DOCUMENT NUMBER				
▽ = 0	2 PLACES ± 0.01		DRWN: ABABU01		2018/11/13	1301460211			
▽ = 0	1 PLACE ± 0.02		APPR: HKNEELAND		2019/03/21	PSD 000 A			
□ = 0	DRAFT WHERE APPLICABLE MUST REMAIN WITHIN DIMENSIONS		THIRD ANGLE PROJECTION		DRAWING		SHEET NUMBER		
▽ = 0	C-SIZE		SERIES		MATERIAL NUMBER		CUSTOMER		
		130146		SEE TABLE		GENERAL MARKET		1 OF 1	