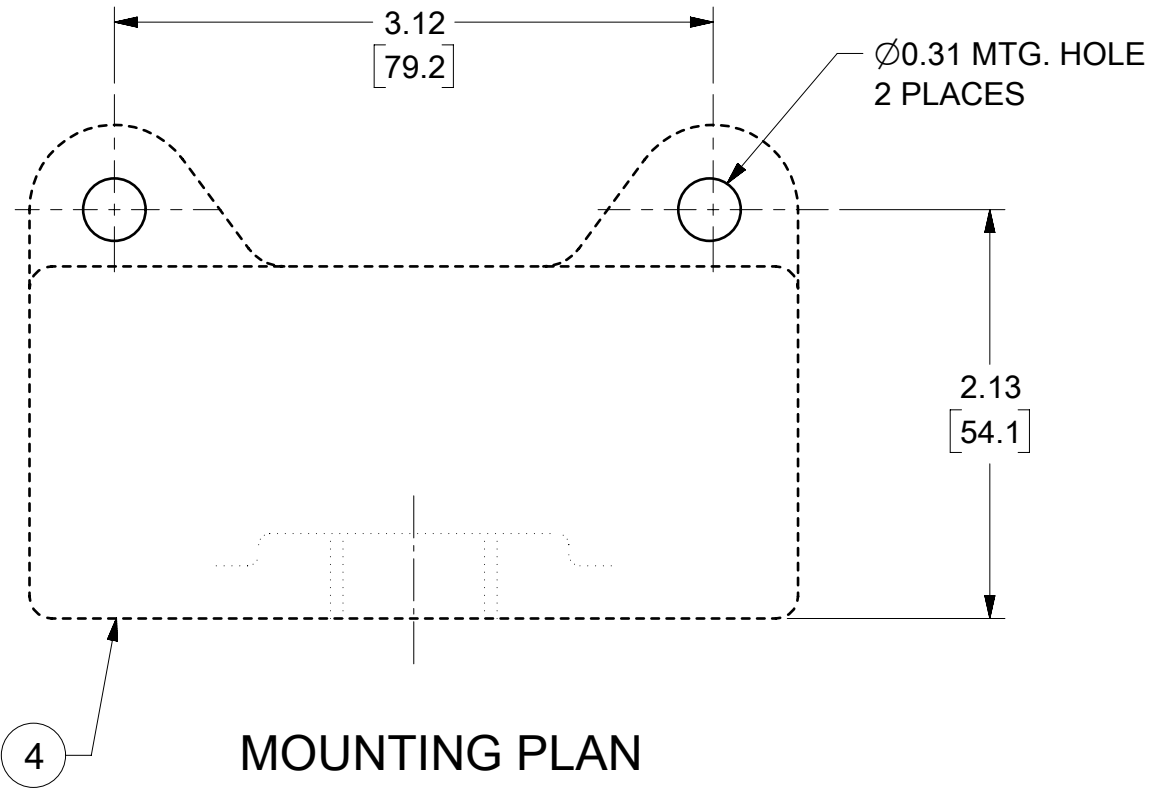
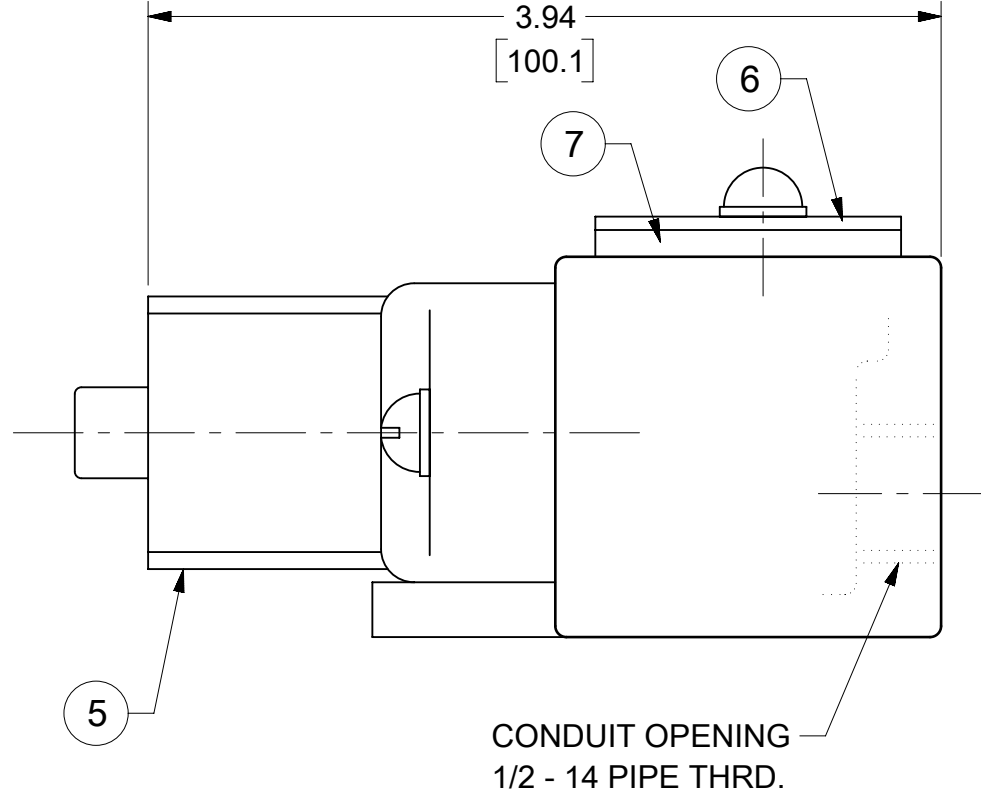
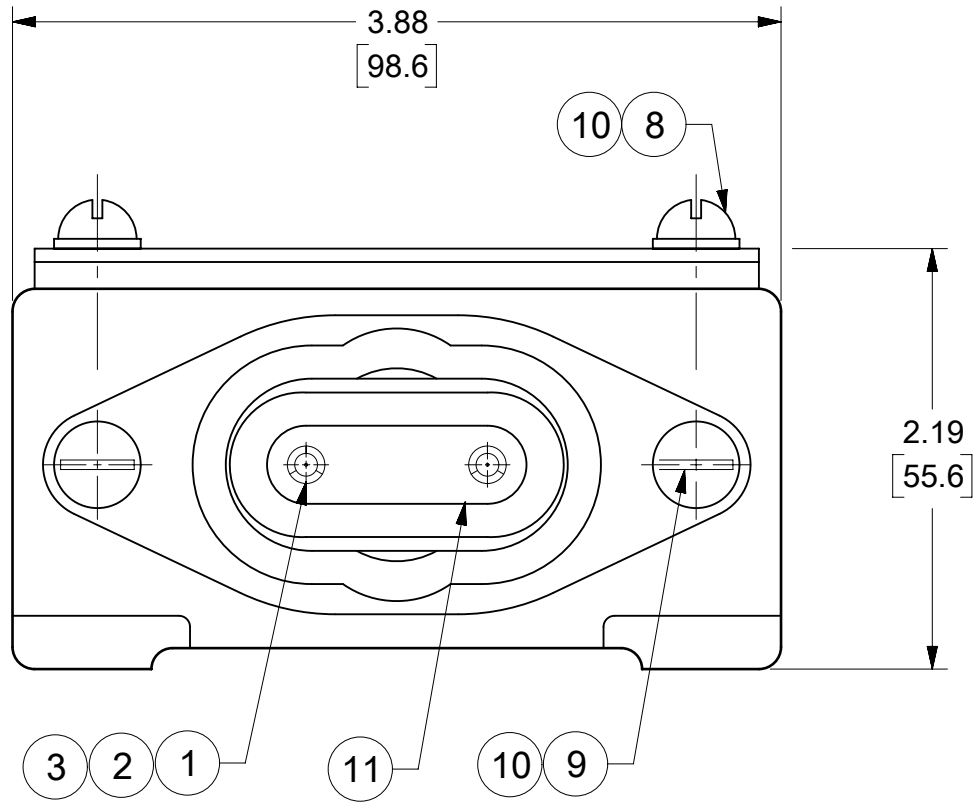


MATERIAL NO.	ENGINEERING NO.
1300190006	22806



11	OVERMOLD	RUBBER	YELLOW
10	LOCKWASHER	STEEL	ZINC PLATED
9	SCREW, 1/4-20 X 1.00"-ROUND HEAD	STEEL	ZINC PLATED
8	SCREW, 1/4-20 X 3/8"-ROUND HEAD	STEEL	ZINC PLATED
7	GASKET	NEOPRENE	
6	PLATE	ALUMINUM	
5	MOUNTING SHELL	ALUMINUM	
4	MOUNTING BASE	ALUMINUM	
3	#8-32 SCREW	Cu ALLOY	
2	CUPPED WASHER	Cu ALLOY	NICKEL PLATE
1	SOCKET ASSY, 3/16 DIA	Cu ALLOY	
ITEM	DESCRIPTION	MATERIAL	FINISH

**(B)**

NOTES:  
 1. MATERIAL: AS NOTED  
 2. FINISH: AS NOTED  
 3. ELECTRICAL:  
 VOLTAGE: 600VAC  
 CURRENT: 25A  
 4. TEMP RATING: -20°C TO +90°C  
 5. CSA CERTIFIED FILE: LR6837  
 6. UL RECOGNIZED FILE: E46237  
 7. ALL DIMS ARE FOR REFERENCE UNLESS TOLERANCED OR NOTED OTHERWISE

FUNCTIONAL SYMBOLS				THIS DRAWING CONTAINS INFORMATION THAT IS PROPRIETARY TO MOLEX ELECTRONIC TECHNOLOGIES, LLC AND SHOULD NOT BE USED WITHOUT WRITTEN PERMISSION			
SCALE		SCALE		CURRENT REV DESC: ADDED NOTES			
INCH/MM		1:1		<p><b>molex</b></p> <p>DIE BLOCK-CAST RECEIPT. FEMALE STATIONARY CONN. 2 POLE YELLOW</p> <p>PRODUCT CUSTOMER DRAWING</p>			
GENERAL TOLERANCES (UNLESS SPECIFIED)							
4 PLACES	±	MM	INCH				
3 PLACES	±						
2 PLACES	±	± 0.02		<p>EC NO: 711366</p> <p>DRWN: VHANDI 2021/12/22</p> <p>CHKD: RSTONE 2022/06/21</p> <p>APPR: BWOODMAN 2022/06/24</p>			
1 PLACE	±	0.5		<p>INITIAL REVISION:</p> <p>DRWN: RSTONE 2013/01/21</p> <p>APPR: JFMURPHY 2013/03/01</p>			
0 PLACES	±			<p>DOCUMENT NUMBER: SD-130019-003</p> <p>DOC TYPE: PSD</p> <p>DOC PART: 001</p> <p>REVISION: B</p>			
ANGULAR TOL		± 2.0°		<p>DRAFT WHERE APPLICABLE MUST REMAIN WITHIN DIMENSIONS</p>			
THIRD ANGLE PROJECTION		DRAWING		SERIES		SHEET NUMBER	
B-SIZE		130019		SEE TABLE		GENERAL MARKET	