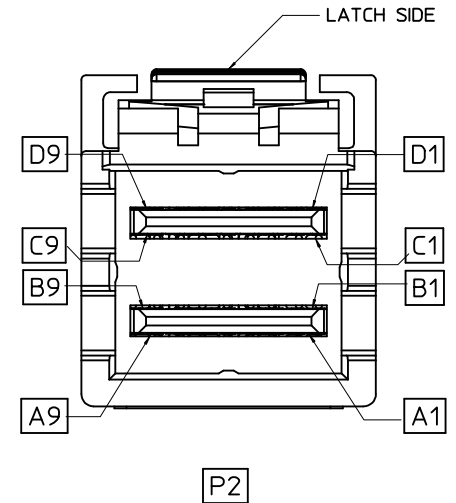
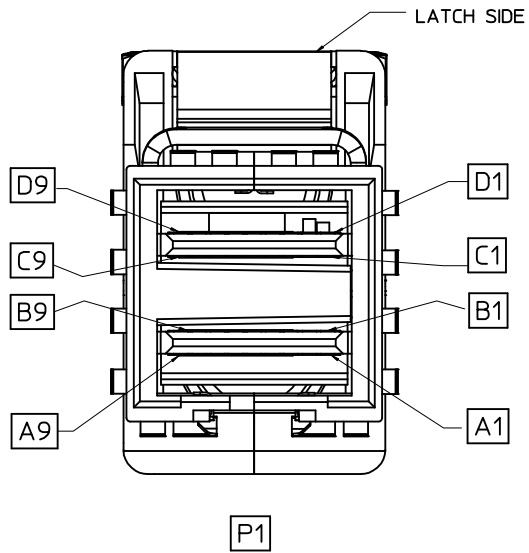


MOLEX P/N	LENGTH (M)	LENGTH TOLERANCE (mm)	AWG
1111353000	0.5	±25	30
1111353001	1.0	±50	30

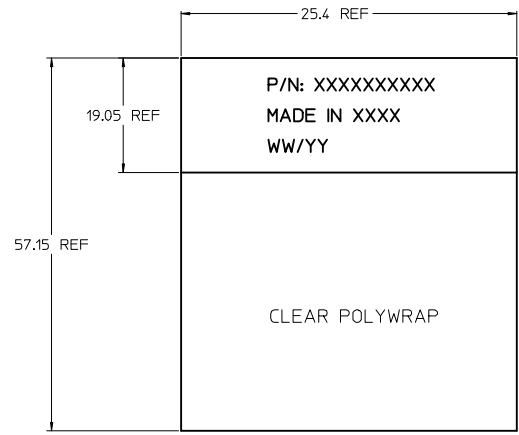
- NOTES:
1. ELECTRICAL PERFORMANCE PER SFF 8644.
 2. RoHS COMPLIANT, NO EXEMPTIONS.
 3. PROTECTIVE DUST CAP TO BE INSTALLED ONTO EXT.HD END (NOT SHOWN)

SEE REVISION TABLE IEC NO: CP02016-4218 2016/06/21 DRWNRCHEN 2016/06/21 CHYKJL001 APPR:RHS001 2016/06/28	QUALITY SYMBOLS	GENERAL TOLERANCES (UNLESS SPECIFIED)	DIMENSION STYLE	SCALE	DESIGN UNITS	THIRD ANGLE PROJECTION
	▽=0	mm INCH	MM ONLY	2:1	METRIC	EXT. 4X HD TO INT. 4X HD
	▽=0	4 PLACES ± --- + ---	RCHEN08	DATE	2012/07/10	molex DOCUMENT NO. SD-111135-3000 SHEET NO. 1 OF 3
	▽=0	3 PLACES ± --- + ---	CHECKED BY	DATE	2012/09/21	
	2 PLACES ± --- + ---	PSYTSMA	APPROVED BY	DATE		
	1 PLACE ± --- + ---	RTSA1	DATE	2013/02/27		
	0 PLACE ± --- + ---					
	ANGULAR ± 2 °	DRAFT WHERE APPLICABLE MUST REMAIN WITHIN DIMENSIONS	MATERIAL NO.	DATE		
			SEE P/N TABLE			
			THIS DRAWING CONTAINS INFORMATION THAT IS PROPRIETARY TO MOLEX INCORPORATED AND SHOULD NOT BE USED WITHOUT WRITTEN PERMISSION			

WIRING DIAGRAM				
P1 END			P2 END	
PAD	SIGNAL		PAD	SIGNAL
D9	GND	---	B9	GND
D8	Tx2-	--->	B8	Rx2-
D7	Tx2+	--->	B7	Rx2+
D6	GND	---	B6	GND
D5	Tx0-	--->	B5	Rx0-
D4	Tx0+	--->	B4	Rx0+
D3	GND	---	B3	GND
D2	Vman	NC	B2	
D1	Vact	NC	B1	
C1	SCL	NC	A1	
C2	SDA	NC	A2	
C3	GND	---	A3	GND
C4	Tx1+	--->	A4	Rx1+
C5	Tx1-	--->	A5	Rx1-
C6	GND	---	A6	GND
C7	Tx3+	--->	A7	Rx3+
C8	Tx3-	--->	A8	Rx3-
C9	GND	---	A9	GND
B9	GND	---	D9	GND
B8	Rx2-	←--	D8	Tx2-
B7	Rx2+	←--	D7	Tx2+
B6	GND	---	D6	GND
B5	Rx0-	←--	D5	Tx0-
B4	Rx0+	←--	D4	Tx0+
B3	GND	---	D3	GND
B2	ModPrsL	NC	D2	
B1	Vact	NC	D1	
A1	Rsv	NC	C1	
A2	IntL	NC	C2	
A3	GND	---	C3	GND
A4	Rx1+	←--	C4	Tx1+
A5	Rx1-	←--	C5	Tx1-
A6	GND	---	C6	GND
A7	Rx3+	←--	C7	Tx3+
A8	Rx3-	←--	C8	Tx3-
A9	GND	---	C9	GND



LABEL TEXT DEFINITION




- MOLEX PART NUMBER
- MANUFACTURING LOCATION
- WORK WEEK/
LAST TWO DIGITS OF THE YEAR

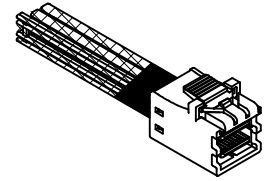
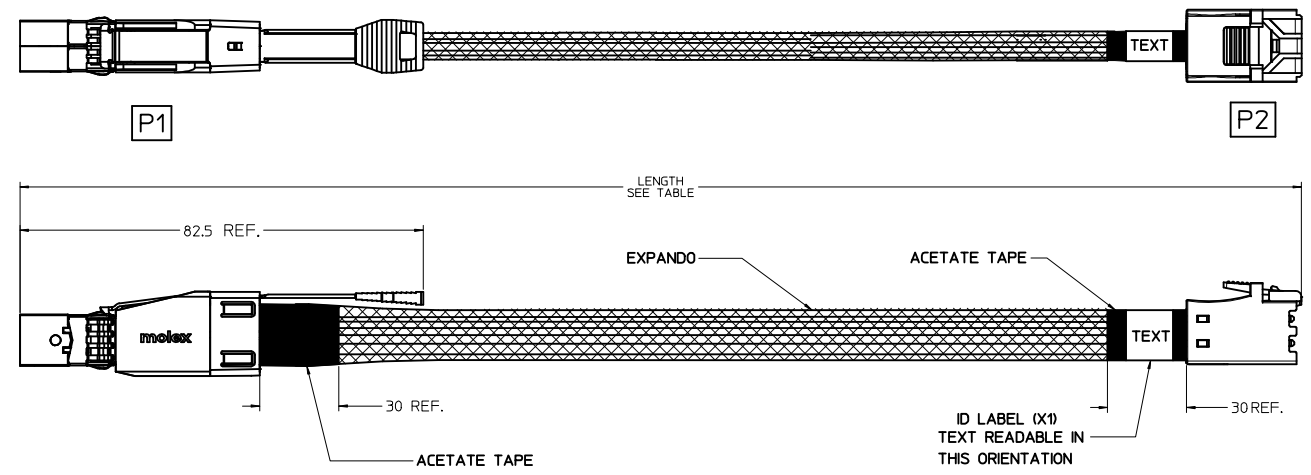
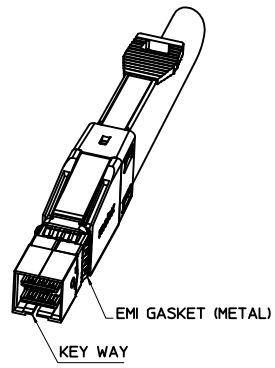
LEGEND:
 ----- = GND
 -----> = TRANSMIT TO RECEIVE ON HIGH SPEED CIRCUITS

SEE REVISION TABLE IEC NO: CPG2016-4218 DRAWN BY: DRWNRCHEN CHECKED BY: CHYKHL001 APPR:RRHSJ01 DATE: 2016/06/21 DATE: 2016/06/28	QUALITY SYMBOLS ∇=0 ∇=0 ∇=0	GENERAL TOLERANCES (UNLESS SPECIFIED)		DIMENSION STYLE MM ONLY	SCALE 1:1	DESIGN UNITS METRIC	THIRD ANGLE PROJECTION
		4 PLACES #---# 3 PLACES #---# 2 PLACES #---# 1 PLACE #---# 0 PLACE #---#	mm INCH	DATE 2012/07/10 DATE 2012/09/21 DATE 2013/02/27	EXT. 4X HD TO INT. 4X HD		
		ANGULAR ± 2 ° DRAFT WHERE APPLICABLE MUST REMAIN WITHIN DIMENSIONS	SEE P/N TABLE	molex	DOCUMENT NO. SD-111135-3000		
		THIS DRAWING CONTAINS INFORMATION THAT IS PROPRIETARY TO MOLEX INCORPORATED AND SHOULD NOT BE USED WITHOUT WRITTEN PERMISSION	SHEET NO. 2 OF 3				

REVISION HISTORY

DATE	REV	DESCRIPTION
2013/02/19	A	INITIAL RELEASE
2016/06/21	B	1. REPLACE THE MINISAS HD FROM LONG BODY TO SHORT BODY IN SHEET 1 2.UPDATE LABEL DETAIL IN SHEET 2 3. UPDATE P/N TABLE 1111353001 AWG FROM 28 TO 30

SEE REVISION TABLE IEC NO: CPG2016-4218 DRAWN BY: DRWNRCHEN CHECKED BY: CHYKJL001 APPR:RHSJ01	2016/06/21 2016/06/21 2016/06/28	DESCRIPTION REV	QUALITY SYMBOLS ▽=0 ▽=0 ▽=0	GENERAL TOLERANCES (UNLESS SPECIFIED) <table border="1"> <thead> <tr> <th></th> <th>mm</th> <th>INCH</th> </tr> </thead> <tbody> <tr> <td>4 PLACES</td> <td>± .001</td> <td>± .0005</td> </tr> <tr> <td>3 PLACES</td> <td>± .002</td> <td>± .0008</td> </tr> <tr> <td>2 PLACES</td> <td>± .005</td> <td>± .0020</td> </tr> <tr> <td>1 PLACE</td> <td>± .010</td> <td>± .0040</td> </tr> <tr> <td>0 PLACE</td> <td>± .020</td> <td>± .0080</td> </tr> </tbody> </table>		mm	INCH	4 PLACES	± .001	± .0005	3 PLACES	± .002	± .0008	2 PLACES	± .005	± .0020	1 PLACE	± .010	± .0040	0 PLACE	± .020	± .0080	DIMENSION STYLE MM ONLY	SCALE 1:1	DESIGN UNITS METRIC	THIRD ANGLE PROJECTION
		mm	INCH																							
	4 PLACES	± .001	± .0005																							
	3 PLACES	± .002	± .0008																							
2 PLACES	± .005	± .0020																								
1 PLACE	± .010	± .0040																								
0 PLACE	± .020	± .0080																								
DRAWN BY: RCHEN08 CHECKED BY: PSYTSMA APPROVED BY: RTSJA		DATE: 2012/07/10 DATE: 2012/0921 DATE: 2013/02/27	TITLE EXT. 4X HD TO INT. 4X HD																							
MATERIAL NO. SEE P/N TABLE SIZE D		DOCUMENT NO. SD-111135-3000	SHEET NO. 3 OF 3																							
THIS DRAWING CONTAINS INFORMATION THAT IS PROPRIETARY TO MOLEX INCORPORATED AND SHOULD NOT BE USED WITHOUT WRITTEN PERMISSION																										

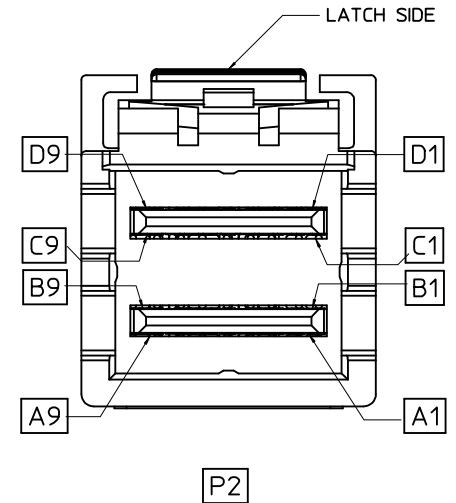
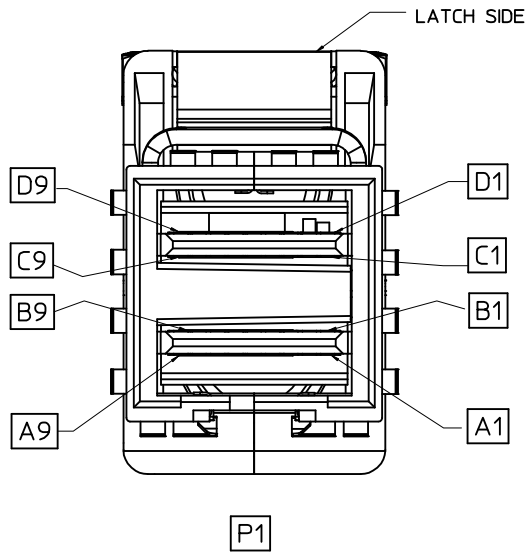


MOLEX P/N	LENGTH (M)	LENGTH TOLERANCE (mm)	AWG
1111353000	0.5	±25	30
1111353001	1.0	±50	30

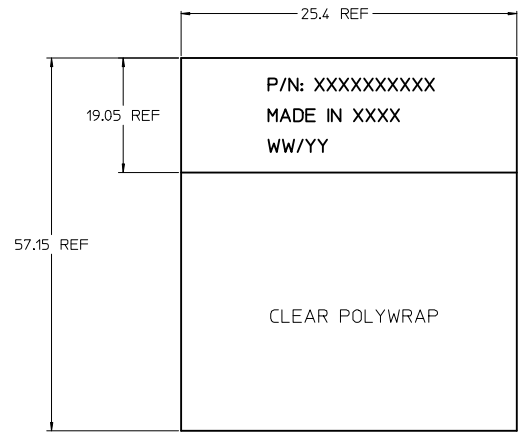
- NOTES:
- ELECTRICAL PERFORMANCE PER SFF 8644.
 - RoHS COMPLIANT, NO EXEMPTIONS.
 - PROTECTIVE DUST CAP TO BE INSTALLED ONTO EXT.HD END (NOT SHOWN)

SEE REVISION TABLE IEC NO: CP02016-4218 2016/06/21 DRWNRCHEN 2016/06/21 CHYKJL001 APPR:RHS001 2016/06/28	QUALITY SYMBOLS	GENERAL TOLERANCES (UNLESS SPECIFIED)	DIMENSION STYLE	SCALE	DESIGN UNITS	THIRD ANGLE PROJECTION
	▽=0	mm INCH	MM ONLY	2:1	METRIC	EXT. 4X HD TO INT. 4X HD
	▽=0	4 PLACES ± --- ± ---	RCHEN08	DATE	2012/07/10	molex DOCUMENT NO. SD-11135-3000 SHEET NO. 1 OF 3
	▽=0	3 PLACES ± --- ± ---	CHECKED BY	DATE	2012/09/21	
	2 PLACES ± --- ± ---	1 PLACE ± --- ± ---	APPROVED BY	DATE	MATERIAL NO. SEE P/N TABLE SIZE D THIS DRAWING CONTAINS INFORMATION THAT IS PROPRIETARY TO MOLEX INCORPORATED AND SHOULD NOT BE USED WITHOUT WRITTEN PERMISSION	
	0 PLACE ± --- ± ---	ANGULAR ± 2 °	RTSA1	DATE		
		DRAFT WHERE APPLICABLE MUST REMAIN WITHIN DIMENSIONS				

WIRING DIAGRAM				
P1 END			P2 END	
PAD	SIGNAL		PAD	SIGNAL
D9	GND	---	B9	GND
D8	Tx2-	--->	B8	Rx2-
D7	Tx2+	--->	B7	Rx2+
D6	GND	---	B6	GND
D5	Tx0-	--->	B5	Rx0-
D4	Tx0+	--->	B4	Rx0+
D3	GND	---	B3	GND
D2	Vman	NC	B2	
D1	Vact	NC	B1	
C1	SCL	NC	A1	
C2	SDA	NC	A2	
C3	GND	---	A3	GND
C4	Tx1+	--->	A4	Rx1+
C5	Tx1-	--->	A5	Rx1-
C6	GND	---	A6	GND
C7	Tx3+	--->	A7	Rx3+
C8	Tx3-	--->	A8	Rx3-
C9	GND	---	A9	GND
B9	GND	---	D9	GND
B8	Rx2-	←--	D8	Tx2-
B7	Rx2+	←--	D7	Tx2+
B6	GND	---	D6	GND
B5	Rx0-	←--	D5	Tx0-
B4	Rx0+	←--	D4	Tx0+
B3	GND	---	D3	GND
B2	ModPrsL	NC	D2	
B1	Vact	NC	D1	
A1	Rsv	NC	C1	
A2	IntL	NC	C2	
A3	GND	---	C3	GND
A4	Rx1+	←--	C4	Tx1+
A5	Rx1-	←--	C5	Tx1-
A6	GND	---	C6	GND
A7	Rx3+	←--	C7	Tx3+
A8	Rx3-	←--	C8	Tx3-
A9	GND	---	C9	GND



LABEL TEXT DEFINITION



- MOLEX PART NUMBER
- MANUFACTURING LOCATION
- WORK WEEK/
LAST TWO DIGITS OF THE YEAR

LEGEND:
 ----- = GND
 -----> = TRANSMIT TO RECEIVE ON HIGH SPEED CIRCUITS

SEE REVISION TABLE IEC NO: CPG2016-4218 DRAWN BY: DRWNRCHEN CHECKED BY: CHYKHL001 APPR:RRHSJ01 DATE: 2016/06/21 DATE: 2016/06/28	QUALITY SYMBOLS	GENERAL TOLERANCES (UNLESS SPECIFIED)	DIMENSION STYLE	SCALE	DESIGN UNITS	THIRD ANGLE PROJECTION
	▽=0	mm INCH	MM ONLY	1:1	METRIC	EXT. 4X HD TO INT. 4X HD
	▽=0	4 PLACES # --- # ---	DRAWN BY: RCHEN08	DATE: 2012/07/10	TITLE	molex DOCUMENT NO. SD-111135-3000 SHEET NO. 2 OF 3
	▽=0	3 PLACES # --- # ---	CHECKED BY: PSYTSMA	DATE: 2012/09/21	APPROVED BY: RTSAL	
▽=0	2 PLACES # --- # ---	ANGULAR ± 2 °	MATERIAL NO.	DATE	THIS DRAWING CONTAINS INFORMATION THAT IS PROPRIETARY TO MOLEX INCORPORATED AND SHOULD NOT BE USED WITHOUT WRITTEN PERMISSION	
▽=0	1 PLACE # --- # ---	DRAFT WHERE APPLICABLE MUST REMAIN WITHIN DIMENSIONS	SEE P/N TABLE	DATE		
▽=0	0 PLACE # --- # ---					

REVISION HISTORY

DATE	REV	DESCRIPTION
2013/02/19	A	INITIAL RELEASE
2016/06/21	B	1. REPLACE THE MINISAS HD FROM LONG BODY TO SHORT BODY IN SHEET 1 2.UPDATE LABEL DETAIL IN SHEET 2 3. UPDATE P/N TABLE 1111353001 AWG FROM 28 TO 30

SEE REVISION TABLE IEC NO: CPG2016-4218 DRAWN BY: DRWNRCHEN CHECKED BY: CHYKJL001 APPR:RHSJ01	QUALITY SYMBOLS ▽=0 ▽=0 ▽=0	GENERAL TOLERANCES (UNLESS SPECIFIED)		DIMENSION STYLE MM ONLY	SCALE 1:1	DESIGN UNITS METRIC	THIRD ANGLE PROJECTION		
		4 PLACES #---# 3 PLACES #---# 2 PLACES #---# 1 PLACE #---# 0 PLACE #---#	mm INCH	DRAWN BY: RCHEN08 DATE: 2012/07/10	CHECKED BY: PSYTSMA DATE: 2012/0921	TITLE EXT. 4X HD TO INT. 4X HD			
		ANGULAR ± 2 ° DRAFT WHERE APPLICABLE MUST REMAIN WITHIN DIMENSIONS		APPROVED BY: RTSJA DATE: 2013/02/27	MATERIAL NO. SEE P/N TABLE		DOCUMENT NO. SD-11135-3000		SHEET NO. 3 OF 3
		THIS DRAWING CONTAINS INFORMATION THAT IS PROPRIETARY TO MOLEX INCORPORATED AND SHOULD NOT BE USED WITHOUT WRITTEN PERMISSION							SIZE D