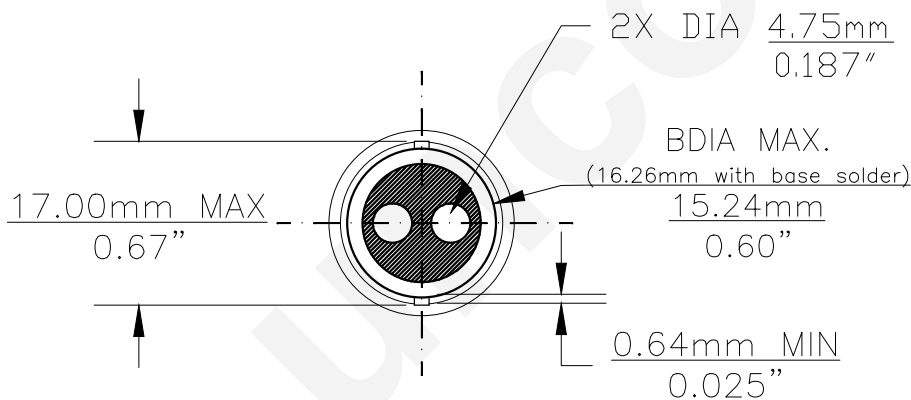
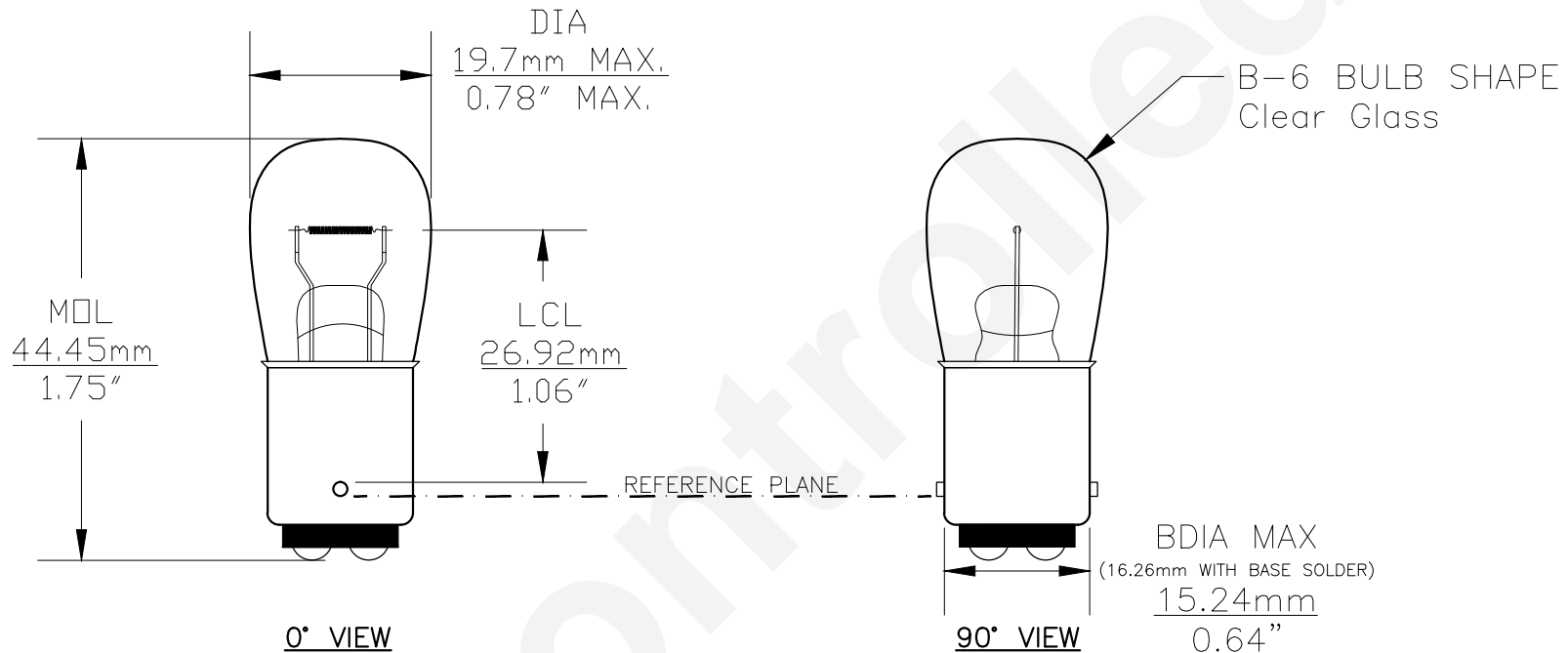




PART NO.	BASE TYPE	DESIGN VOLTS	DESIGN AMPS	MSCD	FILAMENT TYPE	AVERAGE LIFE HOURS	REVISIONS			
							REV #	DESCRIPTION	DATE	APPROVED
104	D.C. Bayonet (BA15d)	12.8V	1.0±10%	12±15%	C-6	500	1	ISSUED	10/29/2014	R.M.



**BASE BOTTOM VIEW**

Note: Made according to SAE specifications



UNLESS OTHERWISE SPECIFIED: DIMENSIONS ARE IN INCHES TOLERANCES		CEC INDUSTRIES LTD			
DECIMALS	ANGULAR	599 BOND STREET		LINCOLNSHIRE, IL 60069	
.XX ± .05	± 0.5°	TITLE LIGHT BULB NO. 104			
.XXX ± .010		SIZE A	FSCM NO.	DWG NO. 104	REV 1
FRACTIONAL	± 1/64	DESIGN	SCALE	PLOT SCALE	SHEET 1 OF 1
DRAWN ROSE MEDINA DATE 10/29/2014		MATERIAL FILE 104.pdf DRAWING NOT TO SCALE			