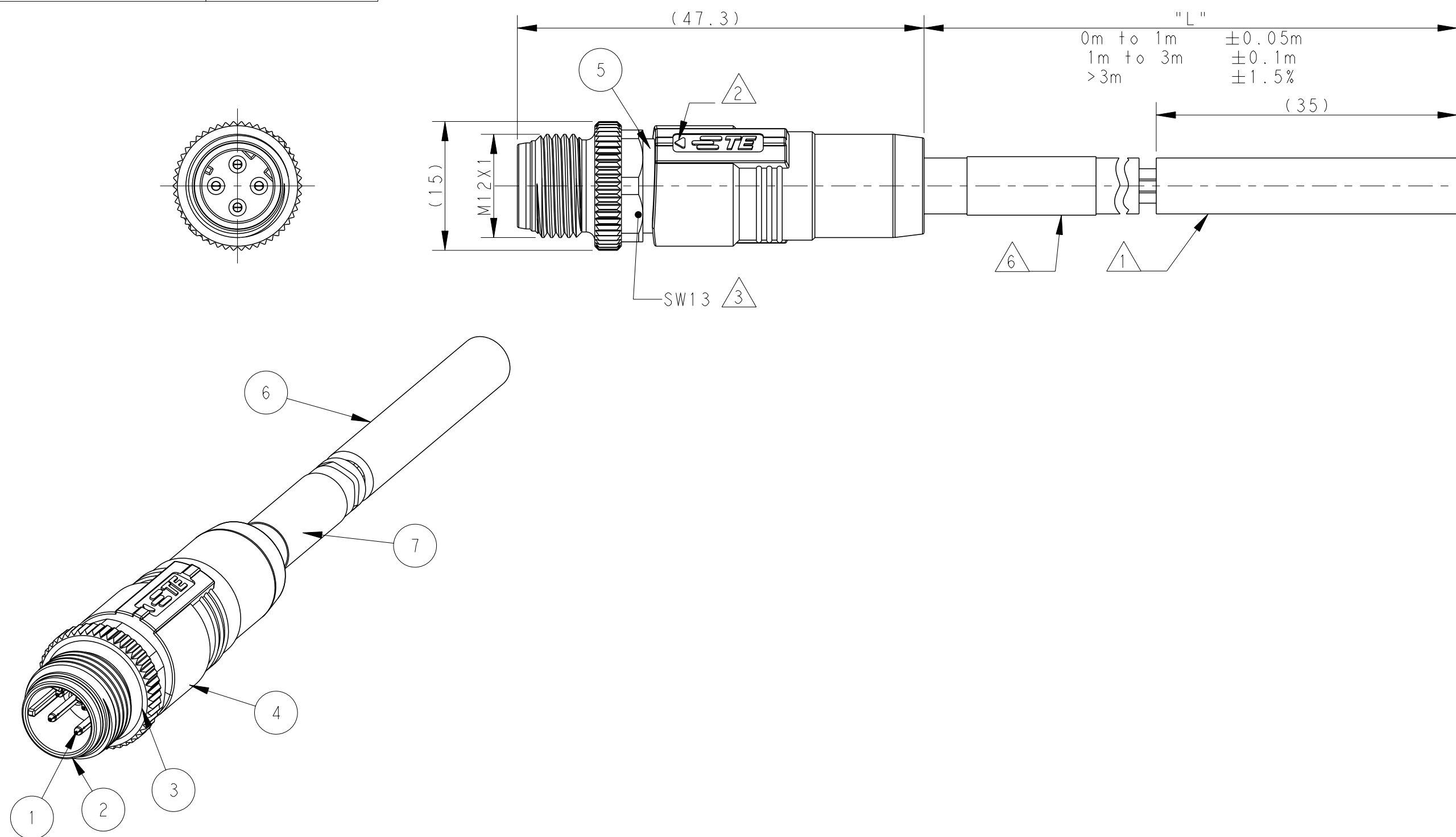


THIS DRAWING IS UNPUBLISHED. RELEASED FOR PUBLICATION 20
 © COPYRIGHT 20 BY - ALL RIGHTS RESERVED.

ITEM	DESCRIPTION	MATERIAL	OTHERS
1	MALE CONTACT	COPPER ALLOY	GOLD PLATED
2	HOUSING	NYLON	BLACK
3	COUPLING NUT	COPPER ALLOY	NICKEL PLATED
4	OVER-MOLDING	TPU	BLACK
5	SHIELDED SHELL	COPPER ALLOY	NICKEL PLATED
6	CABLE	TPE	TEAL
7	LABEL	-	-

REVISIONS				
P	LTR	DESCRIPTION	DATE	APVD
	A	INITIAL RELEASE	10MAR2021	AZ CW



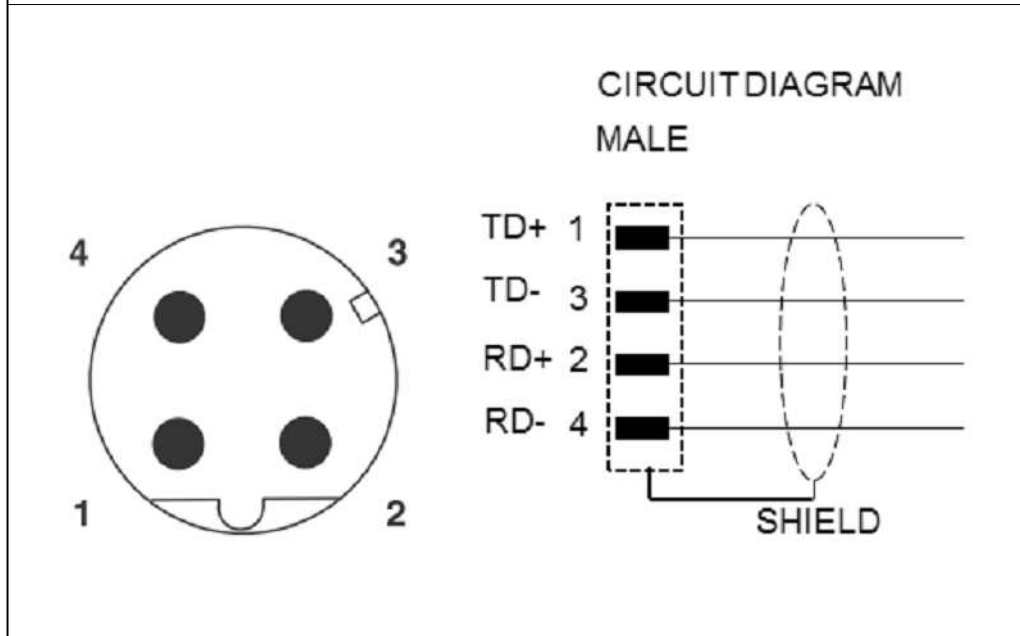
NOTE:

- ① STRIP AND RETAIN THE INSULATION
- ② CODE POSITION INDICATOR
- ③ RECOMMENDED TORQUE 0.6 Nm
- ④ -** : CABLE LENGTH, FOR EXAMPLE: -0.5M
- ⑤. CABLE ASSEMBLY TO BE PACKAGED IN POLYBAGS
- ⑥ LABEL CONTAINS: PN, DATE CODE...
- ⑦ -XXX: FOR CABLE LENGTH, REFER TO LENGTH "L"

注释:

- ① 剥线并保留护套绝缘层
- ② CODE位置指示
- ③ 推荐扭矩0.6 Nm
- ④ -** : 线缆长度, 例如: -0.5M
- ⑤. 线缆组件塑料袋包装
- ⑥ 标签包含: 产品编号, 日期代码...
- ⑦ -XXX: 线缆长度, 参照长度"L"

PIN ARRANGEMENT	
D-CODE	
PIN 1 TD+	WHITE-ORANGE 白-橙
PIN 2 RD+	WHITE-GREEN 白-绿
PIN 3 TD-	ORANGE 橙
PIN 4 RD-	GREEN 绿



WIRES: 2X2X24AWG WIRE COLOR: GREEN X WHITE/GREEN ORANGE X WHITE/ORANGE OD: APPROX. 6.6MM TEMPERATURE RATING: 80°C UL OPERATING TEMP RATING: -40°C To +80°C C-TRACK: 35 MILLION CYCLE, 4" RADIUS TORSION: 3 MILLION CYCLE(+/-270°)	TYPICAL LENGTH: -001: 0.5M -002: 1.0M -020: 2.0M -005: 5.0M -007: 10.0M -150: 15.0M -200: 20.0M -250: 25.0M -300: 30.0M	TEAL	TPE	M12D4-MS-TPE SH-**④	4	TAD1413A201-XXX⑦
CABLE CHARACTERISTIC	LENGTH "L"	JACKET COLOR	JACKET MATERIAL	TYPE	POS.	TE PN

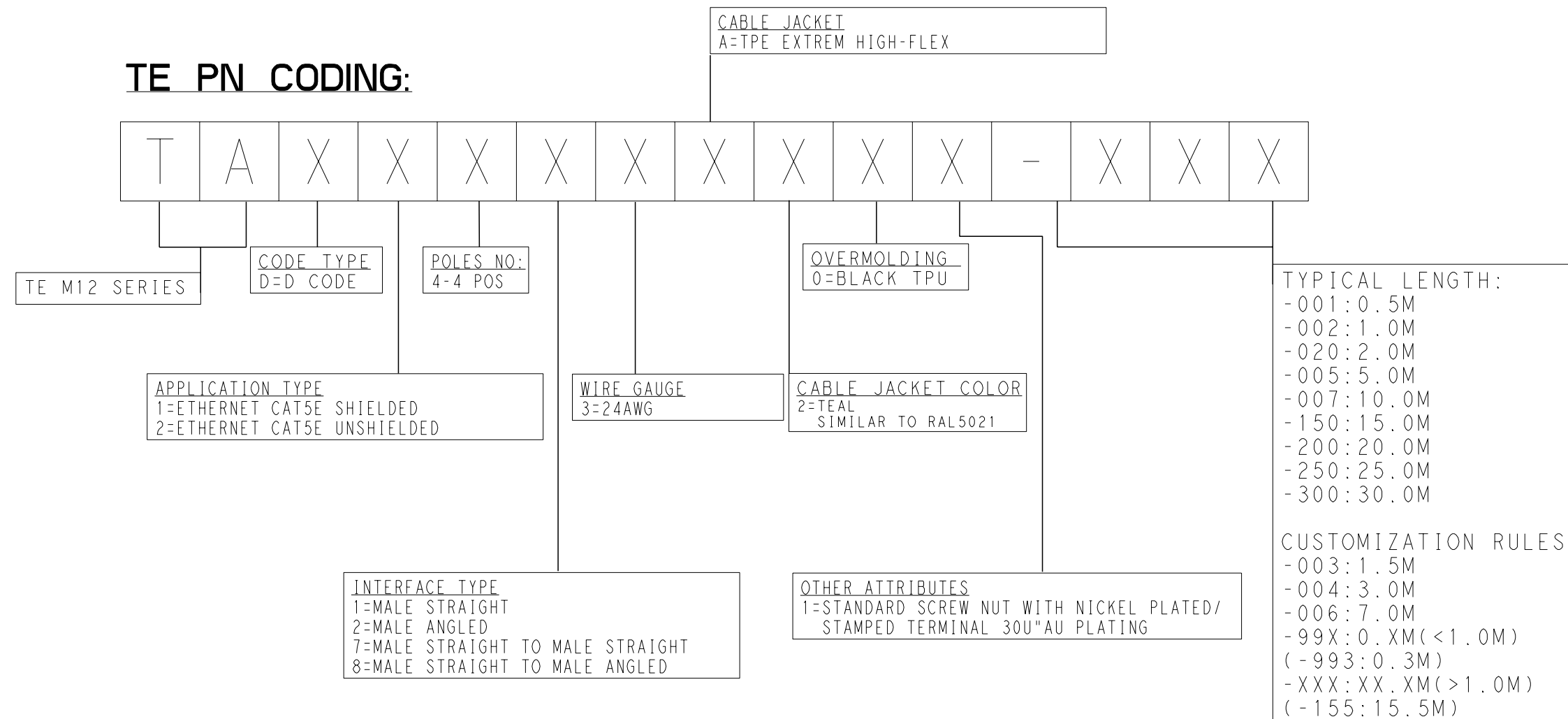
THIS DRAWING IS A CONTROLLED DOCUMENT.		DWN ALEX ZHANG 12MAR2020	TE Connectivity		
		CHK HART HE 12MAR2020			
		APVD CHRIS WANG 12MAR2020	NAME M12 D CODE CABLE ASSY, SHIELDED 4P, MS FREE END		
DIMENSIONS: mm		PRODUCT SPEC 108-106140	SIZE A2	CAGE CODE -	DRAWING NO. C-TAD1413A201XXX
TOLERANCES UNLESS OTHERWISE SPECIFIED:		APPLICATION SPEC 114-137144	WEIGHT -	SCALE 2:1	SHEET 1 OF 2
MATERIAL -		FINISH -	CUSTOMER DRAWING		
0 PLC ±		RESTRICTED TO -			
1 PLC ±		REV A			
2 PLC ±					
3 PLC ±					
4 PLC ±					
ANGLES ±					

THIS DRAWING IS UNPUBLISHED. RELEASED FOR PUBLICATION 20
 © COPYRIGHT 20 BY - ALL RIGHTS RESERVED.

REVISIONS				
P	LTR	DESCRIPTION	DATE	APVD
-		SEE SHEET 1	-	-

TECHNICAL DATA	
RATED VOLTAGE	250V 30V(UL)
RATED CURRENT	4A 1.5A(UL)
POLLUTION DEGREE	3
OVERVOLTAGE CATEGORY	II
MATERIAL GROUP	II
DEGREE OF PROTECTION	IP67

TE PN CODING:



THIS DRAWING IS A CONTROLLED DOCUMENT.		DWN ALEX ZHANG 12MAR2020	TE Connectivity	
		CHK HART HE 12MAR2020		
DIMENSIONS: mm		APVD CHRIS WANG 12MAR2020	NAME M12 D CODE CABLE ASSY,SHIELDED 4P,MS FREE END	
TOLERANCES UNLESS OTHERWISE SPECIFIED: 0 PLC ±- 1 PLC ±- 2 PLC ±- 3 PLC ±- 4 PLC ±- ANGLES ±- FINISH		PRODUCT SPEC 108-106140	RESTRICTED TO	
MATERIAL		APPLICATION SPEC 114-137144	SIZE A2	CAGE CODE -
		WEIGHT -	DRAWING NO G-TAD1413A201XXX	
		CUSTOMER DRAWING	SCALE 2:1	SHEET 2 OF 2
			REV A	