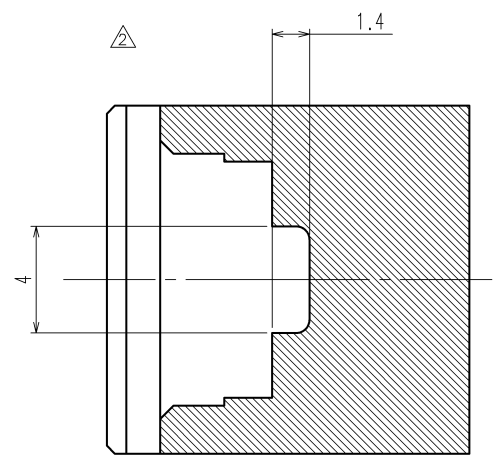
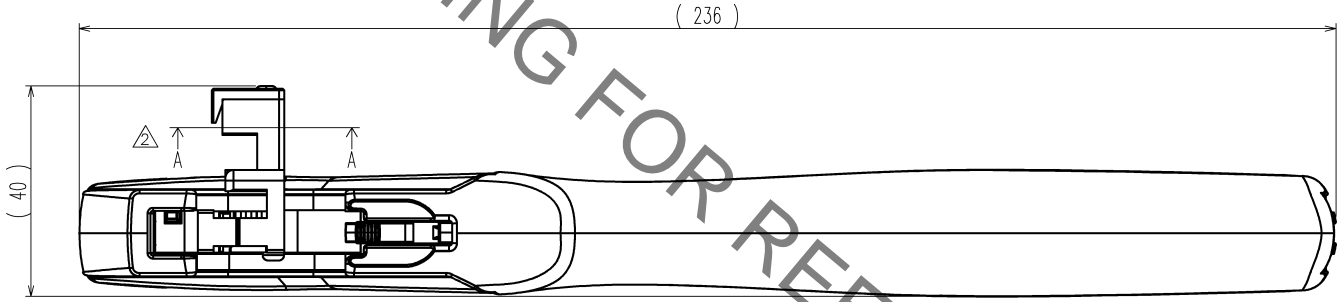


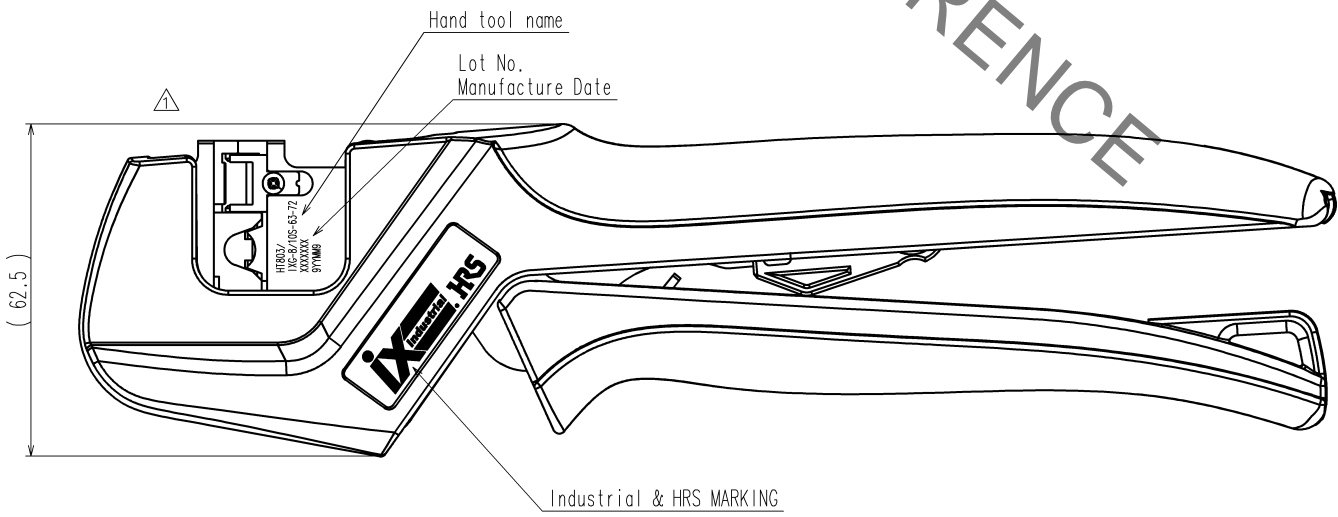
Mar.1.2021 Copyright 2021 HIROSE ELECTRIC CO., LTD. All Rights Reserved.
In case of consideration for using Automotive equipment / device which demand high reliability, kindly contact

HRS DRAWING FOR REFERENCE

COUNT	DESCRIPTION OF REVISIONS	BY	CHKD	DATE	COUNT	DESCRIPTION OF REVISIONS	BY	CHKD	DATE
1	DIS-P-00001081	HOSHINO	TOKUTA	20. 10. 5					
2	DIS-P-00001220	WATANABE	TOKUTA	20. 10. 26					



A-A (5:1)



Note 1. This drawing shows HT803/IXG-8/10S-63-72.

2			4		
1			3		
NO.	MATERIAL	FINISH, REMARKS	NO.	MATERIAL	FINISH, REMARKS
CODE NO. (OLD) CL		DRAWN M.HOSHINO 19. 5. 7	DESIGNED N.SUGITA 19. 5. 7	CHECKED T.ARAKAWA 19. 5. 9	APPROVED T.ARAKAWA 19. 5. 9
DRAWING NO. EDC3-285383-00-00		PART NO. HT803/IXG-8/10S-63-72			
SCALE 1 : 1		UNITS mm		CODE NO. CL902-2218-0	

TO
PE