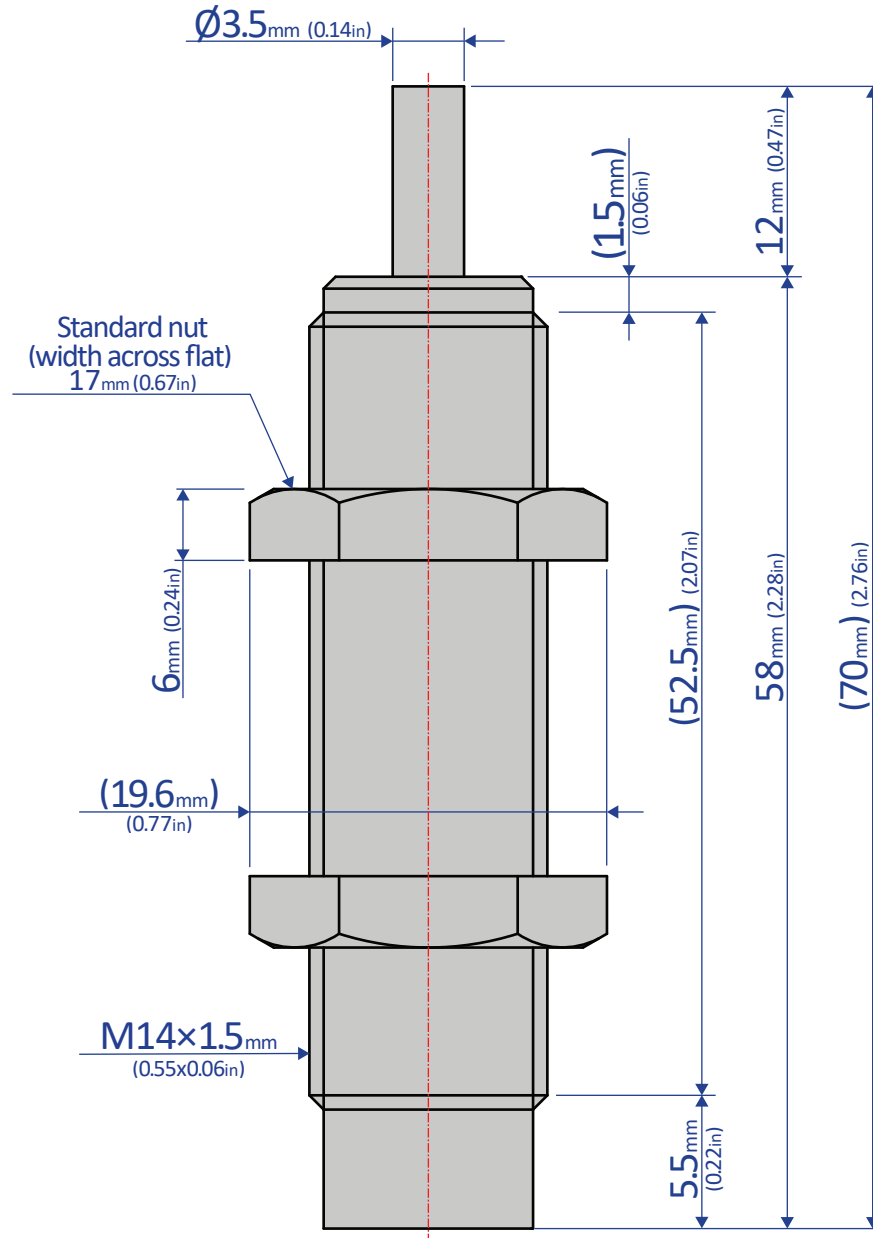


# FK-1412L-S

## SHOCK ABSORBER - FIXED



**Bansbach**  
**easylift®**

50 West Drive • Melbourne, Florida 32904  
(321) 253-1999 • [www.easylift.com](http://www.easylift.com) • [www.damper.net](http://www.damper.net)