

ECS-TXO-2520MV CMOS SMD TCXO MultiVolt™ capability of 1.7 ~ 3.6V. The 2.5 x 2.0 x 0.9 mm ceramic package is ideal for portable, wireless applications where stability is critical.

Request a Sample

OPERATING CONDITIONS / ELECTRICAL CHARACTERISTICS



- HCMOS TCXO
- 2.5 x 2.0 mm Footprint
- PbFree/RoHS Compliant
- MSL 1
- Lead Finish Au
- MultiVolt™ Compatible with 1.8V, 2.5V or 3.3V Power Supply

Parameters	Conditions	ECS-TXO-2520MV			Units
		MIN	TYP	MAX	
Frequency Range		10.000		60.000	MHz
Operating Temperature	N Option	-40		+85	°C
Storage Temperature		-40		+90	°C
Input Voltage	VDD	+1.7		+3.6	VDC
Frequency Stability	Vs. Temp (AN -40 ~ +85°C)			±2.5	PPM
	Vs. Supply Change (±5%)			±0.3	PPM
	Vs. Load Change (±5%)			±0.3	PPM
	Vs. Aging/Year			±1.0	PPM
Frequency Tolerance	@ +25°C ±2°C			±1.5	PPM
Current Consumption				6.0	mA
"0" Level	VOL			10% Vdd	VDC
"1" Level	VOH	90% Vdd			VDC
Output Symmetry	@50% VDD Level			45/55	%
Rise and Fall Times	10% VDD to 90% Level			5	ns
Output Load	CMOS			15	pF
Start-up Time				10	mS
Phase Noise	@ 10 KHz Offset		-145		dBc/Hz
Phase Jitter (12 KHz ~ 20 MHz)	@ 50 MHz		254		fs

CURRENT CONSUMPTION , mA Max.

FREQ.	3.2~ 10 MHz	10.1~ 20 MHz	20.1~ 30 MHz	30.1~ 40 MHz	40.1 ~55 MHz
+1.8V	2.7	3.3	3.8	4.1	5.0
+2.5V	3.1	3.7	4.2	4.6	5.5
+2.8V	3.4	4.1	4.7	5.2	6.0
+3.3V	4.0	4.8	5.5	6.0	6.0

Part Numbering Guide: Example ECS-TXO-2520MV-250-AN-TR

ECS	Series	Frequency Abbreviations	Stability Tolerance	Temperature	Packaging
ECS	TXO-2520MV = TCXO	250 = 25.000 MHz See Developed Frequencies	A = ±2.5 ppm	L = -10 ~ +70°C M = -20 ~ +70°C Y = -30 ~ +85°C N = -40 ~ +85°C	TR = Tape & Reel 1K/reel

Package Dimensions (mm)

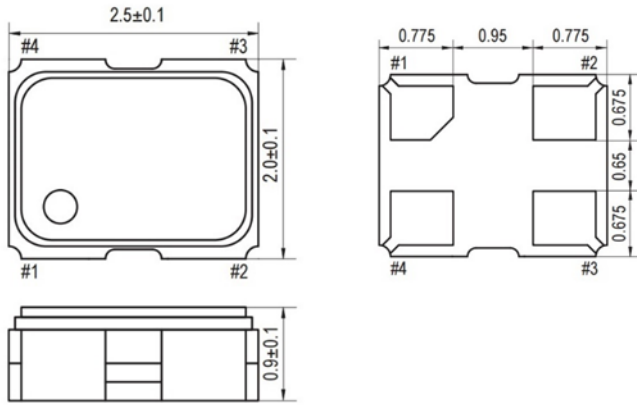


Figure 1) Top, Side, and Bottom views

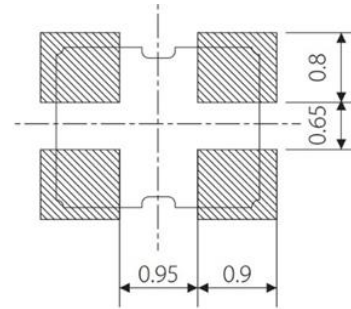


Figure 2) Land Pattern

Pin Connections	
#1	Tri-State
#2	Ground
#3	Output
#4	VDD

Tri-State Function	
Pin 1	Output
High or NC	Active
Low	Disable High-Z

Developed Frequencies	
* Abbreviation	Frequency (MHz)
100	10.000
120	12.000
160	16.000
200	20.000
240	24.000
250	25.000
320	32.000
400	40.000
500	50.000

