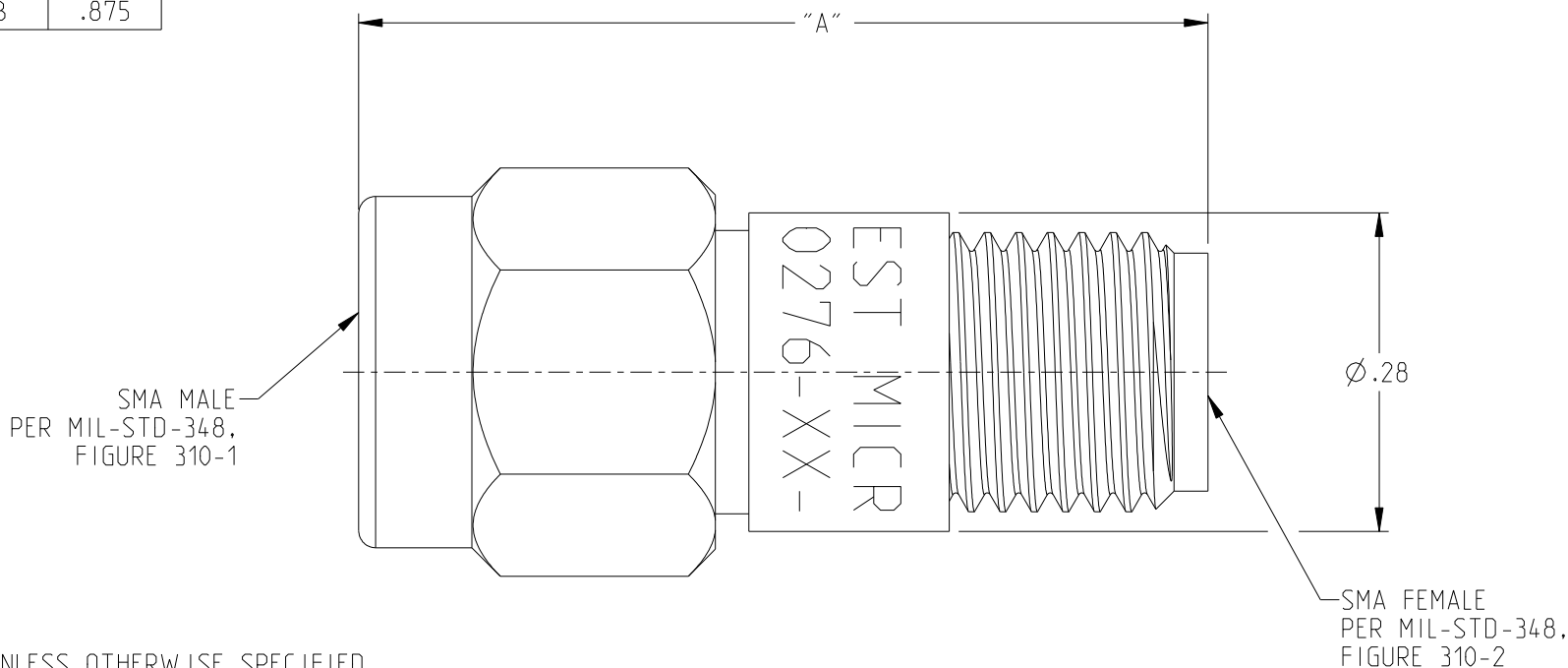


ATTENUATION VALUE	"A" ±.020
0-12.5 dB	.750
13-30 dB	.875



NOTES: UNLESS OTHERWISE SPECIFIED.

1. MATERIALS & FINISH:

- 1.1 HOUSING AND COUPLING NUT: PASSIVATED STAINLESS STEEL
- 1.2 DIELECTRIC: PTFE (TEFLON)
- 1.3 CENTER CONTACT: GOLD PLATED BERYLLIUM COPPER

2. SPECIFICATIONS:

- 2.1 FREQUENCY RANGE: DC-12.4 GHz
- 2.2 ATTENUATION ACCURACY:
 - 0 dB: +0.3/-0 dB
 - 0.5-6 dB: ±0.3 dB
 - 6.5-20 dB: ±0.5 dB
 - 20.5-30 dB: ±1.0 dB

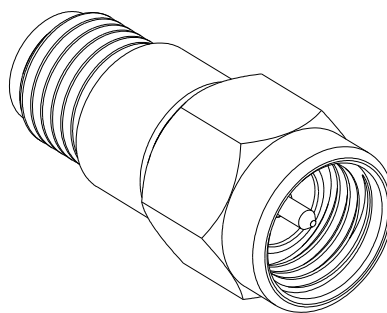
2.3 VSWR (MAX):

1.07+.015f (GHz)

2.4 MAXIMUM INPUT POWER:

AVERAGE: 2 WATTS +25°C, DERATED LINEARLY TO 0.5 WATTS AT +125°C.
 PEAK: 200 WATTS FOR A DUTY CYCLE OF 5X10⁻⁴, MAX PULSE DURATION OF 5 MICROSECONDS

2.5 OPERATING TEMP. RANGE: -65°C TO +125°C



		MIDWEST MICROWAVE	
	NOTICE: The information in this drawing is PROPRIETARY and must not be used without the permission of Cinch Connectivity Solutions. It may contain data whose export is restricted. Verify status prior to exporting. INTERPRET DRAWING IN ACCORDANCE WITH ASME Y14.5-2018	RoHS2 <input checked="" type="checkbox"/> 2015/863/EU	Title: ATTENUATOR 0-30 dB
UNLESS OTHERWISE SPECIFIED UNITS: INCH		Model No.	ATT-0276-XX-SMA-02
.XX ±.02 .XXX ±.005 ANGLES ±2°	Size A	DO NOT SCALE DRAWING	Date: 8/15/2022 Sheet 1 OF 1