



**ANATECH ELECTRONICS INC**  
RF & Microwave Filters & Products

# 2450 MHz Cavity Bandpass Filter

**Part Number: AB2450B1056**



## Electrical specifications

**Passband:** 2444.5-2455.5MHz  
**Passband Insertion Loss:** ≤3.0dB  
**Passband Ripple:** ≤0.45dB  
**Passband: Return Loss:** ≥15dB  
**Rejection:** ≥60dB@2430&2470MHz  
**Rejection 2:** ≥90dBc@2400&2500MHz  
**Power Handling:** 10W(CW)  
**Input / Output Impedance:** 50 Ohms

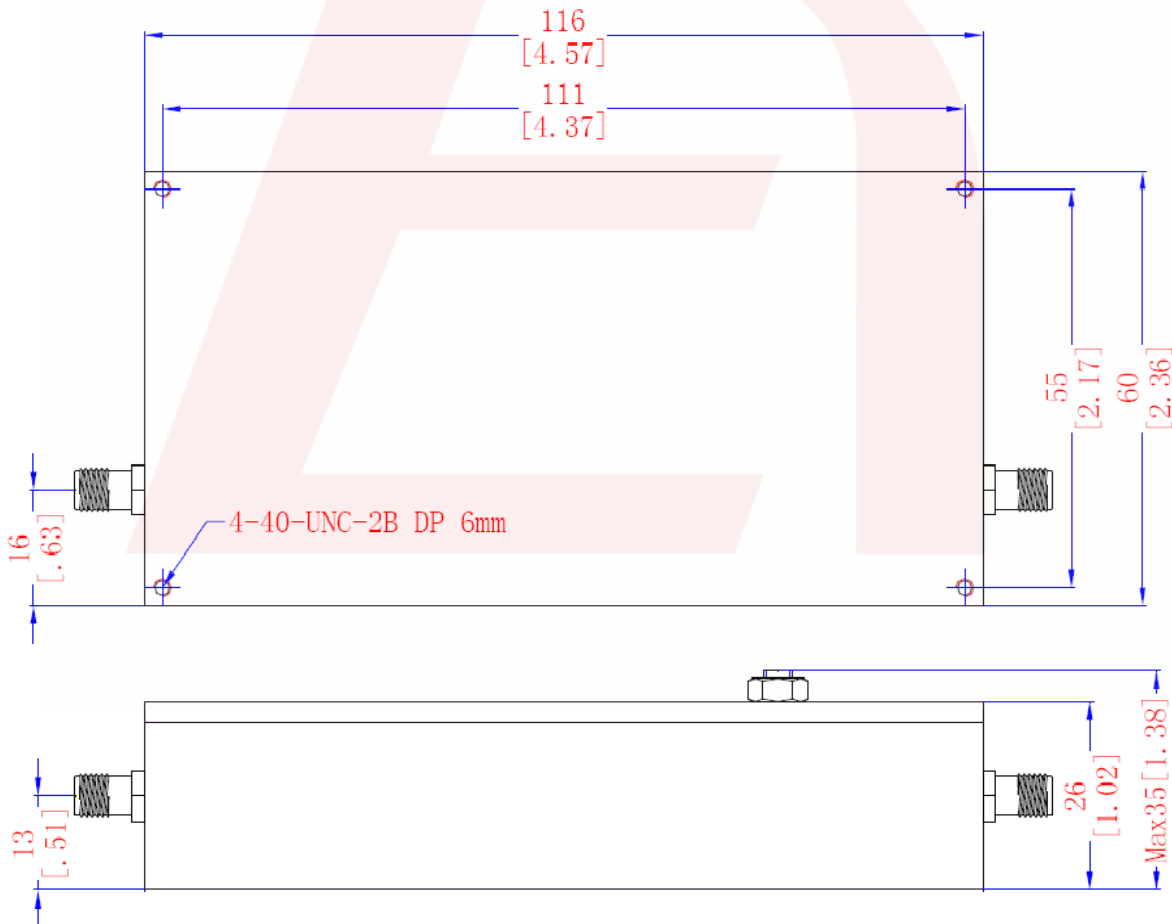
## Mechanical

**Connector Type:** SMA (F)  
**Dimensions:** 4.57 x 2.36 x 1.02 inches

## Environmental

**Operating Temperature:** -40 to +85 deg.C  
**Storage temperature:** -65 to +95 deg.C  
**Shock:** 20 G's, ½ sine, 11ms  
**Vibration:** 10 G's, 10-2000Hz  
**Relative Humidity:** 0-95%

## Outline Drawing:





**ANATECH ELECTRONICS INC**  
RF & Microwave Filters & Products

# 2450 MHz Cavity Bandpass Filter

Part Number: AB2450B1056



## Response Plot:

