

Type 3621 Series

Type 3621 Series



A modern range of surface mount high current power chokes, suited to a range of industrial applications. Low cost, twelve convenient sizes and large area terminals providing excellent solder flow connections, are key design advantages of the 3621 series. Current ratings up to 20 Amps (Isat) can be achieved.

Key Features

- High Current Capability
- Values in E12 Grid Available
- Ferrite Core
- Handles up to 20 Amps (Isat)
- Down to <3mm sq.
- Taped and Reeled
- High Reliability
- Wide Inductance Range

**PRODUCT
PLANNED FOR
EOL**

LTB 18/08/2023

**Electrical Characteristics -
3621A Series**

Inductance Code	Inductance (µH)	Q Ref.	Test Freq. (Hz)		S.R.F. (MHz) Nom.	R.D.C. (Ω) Max.	I _{rms} (A) ΔT=40°C Max.	I _{sat} (A) L/L=10% Max.
			L	Q				
1R0	1.0±20%	20	100K	7.96	125.0	0.06	2.100	2.700
1R2	1.2±20%	22	100K	7.96	100.0	0.07	2.000	2.500
1R5	1.5±20%	23	100K	7.96	95.0	0.07	1.900	2.300
1R8	1.8±20%	23	100K	7.96	85.0	0.08	1.800	2.000
2R2	2.2±20%	22	100K	7.96	75.0	0.09	1.650	1.850
2R7	2.7±20%	22	100K	7.96	72.0	0.10	1.500	1.700
3R3	3.3±20%	23	100K	7.96	68.0	0.11	1.400	1.600
3R9	3.9±20%	24	100K	7.96	50.0	0.12	1.300	1.500
4R7	4.7±20%	18	100K	7.96	45.0	0.15	1.200	1.350
5R6	5.6±20%	18	100K	7.96	42.0	0.16	1.100	1.300
6R8	6.8±20%	18	100K	7.96	40.0	0.18	1.000	1.200
8R2	8.2±20%	16	100K	7.96	35.0	0.20	0.900	1.050
100	10.0±20%	18	100K	2.52	34.0	0.25	0.800	0.900
120	12.0±20%	15	100K	2.52	33.0	0.28	0.750	0.850
150	15.0±20%	20	100K	2.52	32.0	0.40	0.650	0.800
180	18.0±20%	18	100K	2.52	28.0	0.46	0.580	0.750
220	22.0±20%	23	100K	2.52	22.0	0.66	0.520	0.650
270	27.0±20%	23	100K	2.52	20.0	0.75	0.480	0.550
330	33.0±10%	20	100K	2.52	18.0	0.85	0.420	0.500
390	39.0±10%	24	100K	2.52	18.0	1.12	0.380	0.450
470	47.0±10%	23	100K	2.52	17.0	1.27	0.360	0.400
560	56.0±10%	18	100K	2.52	16.0	1.45	0.340	0.350
680	68.0±10%	24	100K	2.52	14.0	1.85	0.300	0.320
820	82.0±10%	24	100K	2.52	12.0	2.10	0.280	0.300
101	100.0±10%	40	100K	0.796	10.0	2.85	0.260	0.280
121	120.0±10%	40	100K	0.796	10.0	3.20	0.220	0.250
151	150.0±10%	38	100K	0.796	9.0	4.60	0.200	0.230
181	180.0±10%	45	100K	0.796	8.5	5.00	0.185	0.210
221	220.0±10%	40	100K	0.796	8.0	5.70	0.170	0.190
271	270.0±10%	45	100K	0.796	7.0	8.60	0.150	0.170
331	330.0±10%	40	100K	0.796	6.0	10.00	0.130	0.150
391	390.0±10%	40	100K	0.796	5.5	10.80	0.120	0.140
471	470.0±10%	42	100K	0.796	5.0	14.30	0.105	0.130
561	560.0±10%	43	100K	0.796	4.8	16.00	0.095	0.120
681	680.0±10%	43	100K	0.796	4.3	18.00	0.085	0.110
821	820.0±10%	45	100K	0.796	4.0	22.50	0.080	0.100
102	1000.0±10%	40	100K	0.252	3.2	26.00	0.070	0.090
122	1200.0±10%	40	100K	0.252	3.0	30.00	0.060	0.080

**Electrical Characteristics -
3621F Series**

Inductance Code	Inductance (µH)	Q Ref.	R.D.C. (Ω)		S.R.F. (MHz) Typ.	I _{rms} (mA) Max.	I _{sat} (mA) Max.
			Typ.	Max.			
2R2	2.2±20%	12.0	0.043	0.056	100	1200	1000
4R7	4.7±20%	10.0	0.095	0.125	80	1000	700
100	10.0±20%	12.0	0.165	0.215	55	650	500
150	15.0±20%	15.0	0.360	0.450	40	500	400
220	22.0±20%	20.0	0.540	0.675	35	420	330
330	33.0±10%	20.0	0.850	1.060	28	350	270
470	47.0±10%	15.0	1.550	1.950	23	300	220
680	68.0±10%	22.0	2.350	2.950	18	230	180
101	100.0±10%	40.0	3.500	4.400	15	200	160

Type 3621 Series

Electrical Characteristics - 3621G Series

Inductance Code	Inductance (μ H)	Q Ref.	Test Freq. (Hz)		R. D. C. (Ω) Max.	IDC (A) Max.
			L	Q		
1R0	1.0 \pm 20%	28	1K	7.960M	0.033	3.800
1R4	1.4 \pm 20%	28	1K	7.960M	0.038	3.300
1R8	1.8 \pm 20%	28	1K	7.960M	0.042	2.910
2R2	2.2 \pm 20%	28	1K	7.960M	0.047	2.600
2R7	2.7 \pm 20%	28	1K	7.960M	0.052	2.430
3R3	3.3 \pm 20%	28	1K	7.960M	0.058	2.150
3R9	3.9 \pm 20%	28	1K	7.960M	0.076	1.980
4R7	4.7 \pm 20%	28	1K	7.960M	0.094	1.700
5R6	5.6 \pm 20%	28	1K	7.960M	0.101	1.600
6R8	6.8 \pm 20%	28	1K	7.960M	0.117	1.410
8R2	8.2 \pm 20%	28	1K	7.960M	0.132	1.260
100	10.0 \pm 20%	28	1K	2.520M	0.182	1.150
120	12.0 \pm 20%	28	1K	2.520M	0.210	1.050
150	15.0 \pm 20%	28	1K	2.520M	0.235	0.920
180	18.0 \pm 20%	25	1K	2.520M	0.338	0.840
220	22.0 \pm 20%	25	1K	2.520M	0.378	0.760
270	27.0 \pm 20%	20	1K	2.520M	0.522	0.710
330	33.0 \pm 10%	20	1K	2.520M	0.540	0.640
390	39.0 \pm 10%	20	1K	2.520M	0.587	0.590
470	47.0 \pm 10%	20	1K	2.520M	0.844	0.540
560	56.0 \pm 10%	20	1K	2.520M	0.937	0.500
680	68.0 \pm 10%	20	1K	2.520M	1.117	0.460
820	82.0 \pm 10%	25	1K	2.520M	1.270	0.420
101	100.0 \pm 10%	35	1K	0.796M	1.900	0.350
121	120.0 \pm 10%	50	1K	0.796M	2.200	0.320
151	150.0 \pm 10%	50	1K	0.796M	3.400	0.260
181	180.0 \pm 10%	50	1K	0.796M	3.900	0.240
221	220.0 \pm 10%	50	1K	0.796M	4.400	0.220
271	270.0 \pm 10%	45	1K	0.796M	5.000	0.200
331	330.0 \pm 10%	40	1K	0.796M	6.000	0.170
391	390.0 \pm 10%	40	1K	0.796M	6.400	0.150
471	470.0 \pm 10%	50	1K	0.796M	7.000	0.130
561	560.0 \pm 10%	50	1K	0.796M	7.800	0.120
681	680.0 \pm 10%	40	1K	0.796M	8.600	0.110
821	820.0 \pm 10%	38	1K	0.796M	12.000	0.100
102	1000.0 \pm 10%	38	1K	0.252M	14.000	0.090

Electrical Characteristics - 3621H Series

Inductance Code	Inductance (μ H)	Q Ref.	Test Freq. (Hz)		R. D. C. (Ω) Max.	I _{rms} (mA) Δ T=20°C Max.	I _{sat} (mA) Δ L/L=10% Typ.
			L	Q			
101	100.0 \pm 20%	20	100K/0.1V	796K	1.50	270	265
121	120.0 \pm 20%	27	100K/0.1V	796K	1.70	252	245
151	150.0 \pm 20%	28	100K/0.1V	796K	2.20	237	232
181	180.0 \pm 20%	25	100K/0.1V	796K	2.50	220	215
221	220.0 \pm 20%	32	100K/0.1V	796K	3.20	204	200
271	270.0 \pm 20%	30	100K/0.1V	796K	3.90	190	182
331	330.0 \pm 20%	40	100K/0.1V	796K	5.00	174	165
391	390.0 \pm 20%	40	100K/0.1V	796K	5.40	156	148
471	470.0 \pm 20%	32	100K/0.1V	796K	6.50	140	130
561	560.0 \pm 20%	45	100K/0.1V	796K	8.80	125	120
681	680.0 \pm 20%	40	100K/0.1V	796K	10.50	110	105
821	820.0 \pm 20%	35	100K/0.1V	796K	12.00	97	95
102	1000.0 \pm 20%	42	100K/0.1V	252K	16.00	85	85
122	1200.0 \pm 20%	44	100K/0.1V	252K	18.50	76	80
152	1500.0 \pm 20%	40	100K/0.1V	252K	22.00	70	72
182	1800.0 \pm 20%	40	100K/0.1V	252K	28.50	65	68
222	2200.0 \pm 20%	40	100K/0.1V	252K	34.50	60	62
272	2700.0 \pm 20%	40	100K/0.1V	252K	40.00	53	55

Type 3621 Series

Electrical Characteristics - 3621J Series

Inductance Code	Inductance (µH)	Q Ref.	Test Freq. (Hz)		S.R.F. (MHz) Nom.	R.D.C. (Ω) Max.	IDC (A) Max.
			L	Q			
100	10.0±20%	20	1K	2.520M	30.00	0.13	1.300
120	12.0±20%	20	1K	2.520M	29.00	0.16	1.200
150	15.0±20%	20	1K	2.520M	27.00	0.19	1.050
180	18.0±20%	20	1K	2.520M	24.00	0.21	0.950
220	22.0±20%	20	1K	2.520M	22.00	0.28	0.900
270	27.0±20%	20	1K	2.520M	20.00	0.32	0.800
330	33.0±10%	15	1K	2.520M	17.50	0.38	0.700
390	39.0±10%	15	1K	2.520M	17.00	0.42	0.650
470	47.0±10%	20	1K	2.520M	14.00	0.60	0.600
560	56.0±10%	20	1K	2.520M	13.00	0.71	0.500
680	68.0±10%	20	1K	2.520M	12.00	0.76	0.450
820	82.0±10%	15	1K	2.520M	10.00	0.88	0.420
101	100.0±10%	40	1K	0.796M	8.50	1.60	0.400
121	120.0±10%	40	1K	0.796M	8.00	1.70	0.370
151	150.0±10%	40	1K	0.796M	7.20	2.00	0.330
181	180.0±10%	40	1K	0.796M	6.90	2.30	0.300
221	220.0±10%	35	1K	0.796M	6.20	2.50	0.250
271	270.0±10%	35	1K	0.796M	5.70	2.90	0.230
331	330.0±10%	30	1K	0.796M	5.30	3.30	0.210
391	390.0±10%	30	1K	0.796M	4.90	3.70	0.190
471	470.0±10%	30	1K	0.796M	4.60	4.90	0.180
561	560.0±10%	30	1K	0.796M	4.20	5.70	0.160
681	680.0±10%	30	1K	0.796M	3.90	7.50	0.140
821	820.0±10%	40	1K	0.796M	3.30	10.00	0.120
102	1000.0±10%	40	1K	0.252M	3.10	11.50	0.110
122	1200.0±5%	40	1K	0.252M	3.00	12.00	0.063
152	1500.0±5%	40	1K	0.252M	2.40	13.00	0.059
182	1800.0±5%	40	1K	0.252M	2.20	15.00	0.055
222	2200.0±5%	40	1K	0.252M	2.30	22.00	0.053
272	2700.0±5%	40	1K	0.252M	2.10	26.00	0.050
332	3300.0±5%	40	1K	0.252M	1.90	38.00	0.045
392	3900.0±5%	40	1K	0.252M	1.50	40.00	0.042
472	4700.0±5%	40	1K	0.252M	1.40	48.00	0.040
562	5600.0±5%	40	1K	0.252M	1.30	72.00	0.038
682	6800.0±5%	40	1K	0.252M	1.20	80.00	0.034
822	8200.0±5%	40	1K	0.252M	1.00	92.00	0.030
103	10000.0±5%	30	1K	79.60K	0.95	110.00	0.027
123	12000.0±5%	30	1K	79.60K	0.85	148.00	0.025
153	15000.0±5%	30	1K	79.60K	0.80	168.00	0.020

Environmental Characteristics - A, G, H, J Series

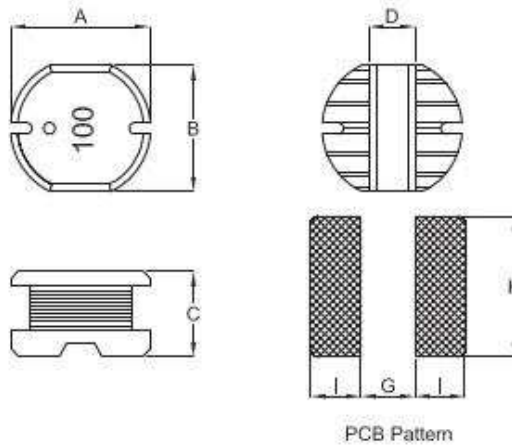
Storage Temp:	-40°C to +125°C
Operating Temp:	-25°C to +105°C (-40°C to +105°C - A Series)

Environmental Characteristics - F Series

Storage Temp:	-40°C to +125°C
Operating Temp:	-40°C to +105°C
Rated Current:	Base on temp. rise & ΔL/L=10% typ.
Temp. Rise:	30°C max.

Type 3621 Series

**Dimensions
A, F, G, H, J Series**



Series	A	B	C	D	G	H	I
3621A	3.00±0.3	2.80±0.3	2.50±0.3	0.90 typ.	0.80 ref.	3.00 ref.	1.40 ref.
3621F	3.00±0.2	2.80±0.2	1.50±0.2	0.90 typ.	0.80 ref.	3.00 ref.	1.40 ref.
3621G	4.50±0.3	4.00±0.3	3.20±0.3	1.50	1.50	4.50	1.80
3621H	5.00±0.3	4.50±0.3	2.00±0.15	2.00	1.90	5.00	1.80
3621J	5.00±0.3	4.50±0.3	3.00±0.3	2.00	1.90	5.00	1.80

**Electrical Characteristics -
3621B Series**

Inductance Code	Inductance (µH)	Q Ref.	Test Freq. (Hz)		S.R.F. (MHz) Nom.	R.D.C. (Ω) Max.	IDC (A) Max.
			L	Q			
1R5	1.5±20%	24	1K	7.960M	85.0	0.040	3.00
2R5	2.5±20%	21	1K	7.960M	74.0	0.045	2.35
3R3	3.3±20%	21	1K	7.960M	68.0	0.048	2.20
3R9	3.9±20%	22	1K	7.960M	62.0	0.050	2.10
4R7	4.7±20%	20	1K	7.960M	56.0	0.066	1.80
5R0	5.0±20%	19	1K	7.960M	50.0	0.070	1.60
6R8	6.8±20%	19	1K	7.960M	44.0	0.110	1.38
7R5	7.5±20%	19	1K	7.960M	38.0	0.120	1.29
100	10.0±20%	24	1K	2.520M	34.0	0.150	1.14
120	12.0±20%	23	1K	2.520M	30.0	0.160	1.02
150	15.0±20%	22	1K	2.520M	28.0	0.180	0.93
180	18.0±20%	23	1K	2.520M	24.0	0.250	0.82
220	22.0±20%	20	1K	2.520M	20.0	0.275	0.75
270	27.0±20%	19	1K	2.520M	19.0	0.300	0.67
330	33.0±10%	23	1K	2.520M	15.0	0.450	0.61
390	39.0±10%	22	1K	2.520M	13.0	0.460	0.56
470	47.0±10%	20	1K	2.520M	13.0	0.550	0.52
560	56.0±10%	17	1K	2.520M	12.0	0.615	0.48
680	68.0±10%	17	1K	2.520M	12.0	0.720	0.44
820	82.0±10%	15	1K	2.520M	11.0	0.840	0.40
101	100.0±10%	28	1K	0.796M	9.6	0.950	0.38
121	120.0±10%	27	1K	0.796M	8.1	1.100	0.36
151	150.0±10%	28	1K	0.796M	7.5	1.430	0.32
181	180.0±10%	26	1K	0.796M	6.9	1.600	0.30
221	220.0±10%	26	1K	0.796M	5.5	2.000	0.26
271	270.0±10%	26	1K	0.796M	4.9	2.400	0.24
331	330.0±10%	28	1K	0.796M	4.7	3.200	0.20
391	390.0±10%	28	1K	0.796M	4.1	3.400	0.18
471	470.0±10%	29	1K	0.796M	3.5	4.550	0.15

Type 3621 Series

Electrical Characteristics -
3621C Series

Inductance Code	Inductance (µH)	Q Ref.	Test Freq. (Hz)		S. R. F. (MHz) Nom.	R. D. C. (Ω) Max.	IDC (A) Max.
			L	Q			
1R2	1.2±20%	35	1K	7.960M	155.0	0.020	4.20
1R5	1.5±20%	32	1K	7.960M	108.0	0.024	3.60
2R2	2.2±20%	33	1K	7.960M	79.0	0.031	2.80
2R7	2.7±20%	22	1K	7.960M	65.0	0.055	2.30
3R3	3.3±20%	22	1K	7.960M	60.0	0.060	2.00
3R9	3.9±20%	22	1K	7.960M	40.0	0.065	1.90
4R7	4.7±20%	20	1K	7.960M	34.0	0.070	1.80
5R6	5.6±20%	20	1K	7.960M	30.0	0.075	1.70
6R8	6.8±20%	20	1K	7.960M	28.0	0.080	1.60
8R2	8.2±20%	20	1K	7.960M	26.0	0.090	1.50
100	10.0±20%	30	1K	2.520M	23.0	0.100	1.45
120	12.0±20%	30	1K	2.520M	22.0	0.120	1.40
150	15.0±15%	30	1K	2.520M	20.0	0.140	1.30
180	18.0±15%	30	1K	2.520M	18.0	0.150	1.25
220	22.0±10%	30	1K	2.520M	16.0	0.190	1.10
270	27.0±10%	28	1K	2.520M	14.0	0.220	1.00
330	33.0±10%	24	1K	2.520M	13.0	0.250	0.88
390	39.0±10%	24	1K	2.520M	13.0	0.320	0.80
470	47.0±10%	22	1K	2.520M	12.0	0.370	0.72
560	56.0±10%	22	1K	2.520M	11.0	0.420	0.68
680	68.0±10%	22	1K	2.520M	10.0	0.520	0.62
820	82.0±10%	20	1K	2.520M	9.0	0.600	0.58
101	100.0±10%	20	1K	0.796M	8.5	0.700	0.52
121	120.0±10%	22	1K	0.796M	6.6	0.930	0.48
151	150.0±10%	22	1K	0.796M	6.2	1.100	0.40
181	180.0±10%	20	1K	0.796M	6.0	1.380	0.38
221	220.0±10%	20	1K	0.796M	5.6	1.570	0.35
271	270.0±10%	26	1K	0.796M	3.9	1.880	0.32
331	330.0±10%	25	1K	0.796M	3.3	2.250	0.27
391	390.0±10%	25	1K	0.796M	3.1	2.480	0.25
471	470.0±10%	25	1K	0.796M	2.9	3.300	0.21
561	560.0±10%	24	1K	0.796M	2.5	4.000	0.18
681	680.0±10%	26	1K	0.796M	2.3	4.650	0.16
821	820.0±10%	25	1K	0.796M	2.0	5.200	0.14

Electrical Characteristics -
3621D Series

Inductance Code	Inductance (µH)	Q Ref.	Test Freq. (Hz)		S. R. F. (MHz) Nom.	R. D. C. (Ω) Max.	IDC (A) Max.
			L	Q			
1R5	1.5±20%	32	1K	7.960M	120.0	0.015	6.00
2R5	2.5±20%	32	1K	7.960M	70.0	0.020	5.00
3R3	3.3±20%	32	1K	7.960M	55.0	0.022	4.60
3R9	3.9±20%	32	1K	7.960M	45.0	0.024	4.40
4R7	4.7±20%	31	1K	7.960M	38.0	0.033	3.70
5R6	5.6±20%	31	1K	7.960M	34.0	0.035	3.50
6R8	6.8±20%	30	1K	7.960M	33.0	0.040	3.20
8R2	8.2±20%	29	1K	7.960M	30.0	0.050	2.80
100	10.0±20%	25	1K	2.520M	22.0	0.070	2.30
120	12.0±20%	25	1K	2.520M	20.0	0.080	2.00
150	15.0±20%	25	1K	2.520M	16.0	0.090	1.80
180	18.0±20%	20	1K	2.520M	15.0	0.100	1.60
220	22.0±20%	20	1K	2.520M	13.0	0.110	1.50
270	27.0±20%	20	1K	2.520M	12.0	0.120	1.30
330	33.0±10%	15	1K	2.520M	10.0	0.140	1.20
390	39.0±10%	15	1K	2.520M	9.5	0.160	1.10

Type 3621 Series

Electrical Characteristics - 3621D Series (continued)

Inductance Code	Inductance (µH)	Q Ref.	Test Freq. (Hz)		S. R. F. (MHz) Nom.	R. D. C. (Ω) Max.	IDC (A) Max.
			L	Q			
470	47.0±10%	15	1K	2.520M	9.0	0.200	1.00
560	56.0±10%	15	1K	2.520M	8.5	0.240	0.94
680	68.0±10%	15	1K	2.520M	8.0	0.300	0.85
820	82.0±10%	12	1K	2.520M	7.0	0.370	0.78
101	100.0±10%	12	1K	0.796M	6.5	0.450	0.72
121	120.0±10%	12	1K	0.796M	5.6	0.480	0.66
151	150.0±10%	12	1K	0.796M	5.5	0.680	0.58
181	180.0±10%	12	1K	0.796M	5.0	0.770	0.51
221	220.0±10%	12	1K	0.796M	4.8	0.960	0.49
271	270.0±10%	12	1K	0.796M	4.5	1.110	0.42
331	330.0±10%	12	1K	0.796M	4.3	1.260	0.40
391	390.0±10%	12	1K	0.796M	4.0	1.770	0.36
471	470.0±10%	12	1K	0.796M	3.8	1.960	0.34
561	560.0±10%	30	1K	0.796M	3.7	2.500	0.30
681	680.0±10%	29	1K	0.796M	3.5	2.800	0.28
821	820.0±10%	28	1K	0.796M	3.2	4.000	0.23
102	1000.0±10%	27	1K	0.252M	3.0	4.500	0.21
122	1200.0±10%	28	1K	0.252M	2.6	6.800	0.17
152	1500.0±10%	27	1K	0.252M	2.4	8.000	0.15
182	1800.0±10%	30	1K	0.252M	1.6	9.200	0.14
222	2200.0±10%	29	1K	0.252M	1.5	10.000	0.13
272	2700.0±10%	31	1K	0.252M	1.4	11.800	0.12
332	3300.0±10%	28	1K	0.252M	1.2	16.500	0.10
392	3900.0±10%	28	1K	0.252M	1.1	18.000	0.09
472	4700.0±10%	30	1K	0.252M	1.0	21.000	0.08

Electrical Characteristics - 3621E Series

Inductance Code	Inductance (µH)	Q Ref.	Test Freq. (Hz)		S. R. F. (MHz) Nom.	R. D. C. (Ω) Max.	IDC (A) Max.
			L	Q			
1R5	1.5±20%	35	1K	7.960M	105.0	0.018	6.40
2R2	2.2±20%	35	1K	7.960M	68.0	0.021	5.40
3R3	3.3±20%	34	1K	7.960M	55.0	0.024	5.00
3R9	3.9±20%	34	1K	7.960M	48.0	0.027	4.60
4R7	4.7±20%	33	1K	7.960M	40.0	0.036	4.00
5R6	5.6±20%	33	1K	7.960M	35.0	0.040	3.80
6R8	6.8±20%	33	1K	7.960M	32.0	0.044	3.40
8R2	8.2±20%	31	1K	7.960M	24.0	0.048	3.00
100	10.0±20%	30	1K	2.520M	21.0	0.060	2.60
120	12.0±20%	30	1K	2.520M	20.0	0.070	2.45
150	15.0±20%	30	1K	2.520M	16.0	0.080	2.25
180	18.0±20%	30	1K	2.520M	15.0	0.090	2.15
220	22.0±20%	30	1K	2.520M	13.0	0.100	1.95
270	27.0±20%	30	1K	2.520M	11.0	0.110	1.75
330	33.0±10%	25	1K	2.520M	10.0	0.120	1.50
390	39.0±10%	25	1K	2.520M	9.0	0.140	1.35
470	47.0±10%	25	1K	2.520M	8.0	0.170	1.25
560	56.0±10%	20	1K	2.520M	7.5	0.190	1.15
680	68.0±10%	15	1K	2.520M	7.0	0.220	1.10
820	82.0±10%	15	1K	2.520M	6.0	0.250	1.00
101	100.0±10%	15	1K	0.796M	5.2	0.350	0.97
121	120.0±10%	15	1K	0.796M	5.0	0.400	0.89
151	150.0±10%	15	1K	0.796M	4.5	0.470	0.78
181	180.0±10%	12	1K	0.796M	4.0	0.630	0.72
221	220.0±10%	12	1K	0.796M	3.8	0.730	0.66

Type 3621 Series

Electrical Characteristics - 3621E Series (continued)

Inductance Code	Inductance (μ H)	Q Ref.	Test Freq. (Hz)		S. R. F. (MHz) Nom.	R. D. C. (Ω) Max.	IDC (A) Max.
			L	Q			
271	270.0 \pm 10%	12	1K	0.796M	3.5	0.970	0.57
331	330.0 \pm 10%	12	1K	0.796M	3.2	1.150	0.52
391	390.0 \pm 10%	12	1K	0.796M	3.0	1.300	0.48
471	470.0 \pm 10%	12	1K	0.796M	2.5	1.480	0.42
561	560.0 \pm 10%	12	1K	0.796M	2.3	1.900	0.33
681	680.0 \pm 10%	12	1K	0.796M	2.1	2.250	0.28
821	820.0 \pm 10%	10	1K	0.796M	2.0	2.550	0.24
102	1000.0 \pm 10%	29	1K	0.252M	1.9	3.100	0.23
122	1200.0 \pm 10%	32	1K	0.252M	1.8	4.200	0.21
152	1500.0 \pm 10%	31	1K	0.252M	1.7	5.000	0.19
182	1800.0 \pm 10%	31	1K	0.252M	1.6	6.800	0.17
222	2200.0 \pm 10%	31	1K	0.252M	1.5	7.600	0.16
272	2700.0 \pm 10%	32	1K	0.252M	1.4	11.600	0.14
332	3300.0 \pm 10%	32	1K	0.252M	1.3	13.500	0.12
392	3900.0 \pm 10%	31	1K	0.252M	1.2	14.800	0.11
472	4700.0 \pm 10%	32	1K	0.252M	0.8	18.000	0.10

Electrical Characteristics - 3621K Series

Inductance Code	Inductance (μ H)	Q Ref.	Test Freq. (Hz)		S. R. F. (MHz) Nom.	R. D. C. (m Ω) Max.	I _{rms} (A) Max.	I _{sat} (A) Typ.
			L	Q				
1R0	1.0 \pm 20%	14	100K/0.1V	7.960M	90.0	30.0	4.50	4.60
1R4	1.4 \pm 20%	14	100K/0.1V	7.960M	80.0	35.0	4.00	4.20
1R8	1.8 \pm 20%	13	100K/0.1V	7.960M	70.0	40.0	3.30	3.50
2R2	2.2 \pm 20%	13	100K/0.1V	7.960M	60.0	45.0	3.00	3.20
2R7	2.7 \pm 20%	13	100K/0.1V	7.960M	55.0	50.0	2.80	3.00
3R3	3.3 \pm 20%	12	100K/0.1V	7.960M	50.0	55.0	2.60	2.90
3R9	3.9 \pm 20%	12	100K/0.1V	7.960M	45.0	60.0	2.40	2.70
4R7	4.7 \pm 20%	11	100K/0.1V	7.960M	40.0	70.0	2.20	2.40
5R6	5.6 \pm 20%	11	100K/0.1V	7.960M	36.0	85.0	2.00	2.30
6R8	6.8 \pm 20%	11	100K/0.1V	7.960M	32.0	100.0	1.80	2.00
8R2	8.2 \pm 20%	11	100K/0.1V	7.960M	30.0	110.0	1.60	1.90
100	10.0 \pm 20%	15	100K/0.1V	2.520M	26.0	140.0	1.50	1.70
120	12.0 \pm 20%	15	100K/0.1V	2.520M	24.0	150.0	1.40	1.60
150	15.0 \pm 20%	15	100K/0.1V	2.520M	22.0	180.0	1.30	1.45
180	18.0 \pm 20%	15	100K/0.1V	2.520M	20.0	220.0	1.20	1.30
220	22.0 \pm 20%	15	100K/0.1V	2.520M	18.0	280.0	1.00	1.10
270	27.0 \pm 20%	12	100K/0.1V	2.520M	16.0	320.0	0.90	1.05
330	33.0 \pm 10%	12	100K/0.1V	2.520M	15.0	420.0	0.85	1.00
390	39.0 \pm 10%	12	100K/0.1V	2.520M	14.0	480.0	0.75	0.80
470	47.0 \pm 10%	12	100K/0.1V	2.520M	12.0	560.0	0.73	0.75
560	56.0 \pm 10%	12	100K/0.1V	2.520M	11.0	700.0	0.65	0.70
680	68.0 \pm 10%	12	100K/0.1V	2.520M	10.0	820.0	0.60	0.65
820	82.0 \pm 10%	12	100K/0.1V	2.520M	9.5	1100.0	0.52	0.60
101	100.0 \pm 10%	22	100K/0.1V	796K	8.5	1250.0	0.46	0.55
121	120.0 \pm 10%	22	100K/0.1V	796K	8.0	1350.0	0.40	0.52
151	150.0 \pm 10%	22	100K/0.1V	796K	7.0	1650.0	0.36	0.46
181	180.0 \pm 10%	24	100K/0.1V	796K	6.5	1900.0	0.30	0.40
221	220.0 \pm 10%	24	100K/0.1V	796K	6.0	2200.0	0.28	0.35
271	270.0 \pm 10%	24	100K/0.1V	796K	5.5	3000.0	0.26	0.30
331	330.0 \pm 10%	34	100K/0.1V	796K	5.0	3800.0	0.20	0.25
391	390.0 \pm 10%	34	100K/0.1V	796K	4.5	4300.0	0.18	0.22
471	470.0 \pm 10%	36	100K/0.1V	796K	4.0	5200.0	0.16	0.20
561	560.0 \pm 10%	36	100K/0.1V	796K	3.8	6500.0	0.14	0.18
681	680.0 \pm 10%	36	100K/0.1V	796K	3.5	7500.0	0.13	0.16
821	820.0 \pm 10%	36	100K/0.1V	796K	3.0	9800.0	0.10	0.14
102	1000.0 \pm 10%	36	100K/0.1V	252K	2.6	11000.0	0.08	0.12

Type 3621 Series

Electrical Characteristics - 3621L Series

Inductance Code	Inductance (µH)	S. R. F. (MHz) Typ.	R. D. C. (Ω) Max.	I _{rms} 1 ΔT=20°C Typ.	I _{rms} 2 ΔT=40°C Max.	I _{sat} ΔL/L+10%Max.
100	10.0±20%	18.00	0.035	3.50	5.00	8.00
150	15.0±20%	13.00	0.045	3.00	4.00	7.00
220	22.0±20%	12.00	0.065	2.50	3.20	5.50
330	33.0±20%	9.50	0.080	2.00	2.60	4.00
470	47.0±20%	7.00	0.110	1.70	2.20	3.80
680	68.0±10%	5.80	0.150	1.50	2.00	3.00
101	100.0±10%	4.80	0.200	1.30	1.80	2.50
151	150.0±10%	3.80	0.320	1.00	1.50	2.00
221	220.0±10%	3.10	0.420	0.90	1.20	1.70
331	330.0±10%	2.50	0.700	0.70	0.90	1.30
471	470.0±10%	2.10	0.900	0.50	0.75	1.10
681	680.0±10%	1.70	1.250	0.40	0.60	1.00
102	1000.0±10%	1.40	1.900	0.30	0.50	0.80

Electrical Characteristics - 3621M Series

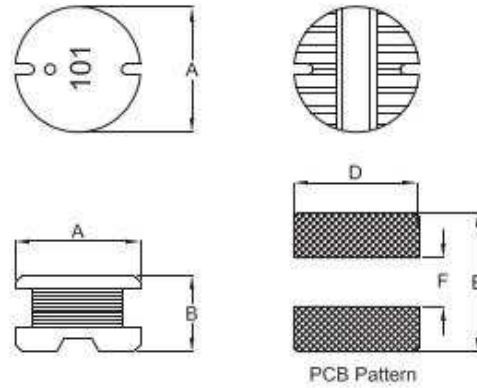
Inductance Code	Inductance (µH)	Q Ref.	Test Freq. (Hz)		S. R. F. (MHz) Nom.	R. D. C. (mΩ) Max.	I _{rms} (A) Max.	I _{sat} (A) Typ.
			L	Q				
1R5	1.5±20%	20	100K/0.1V	7.960M	65.0	5.0	9.50	20.00
2R2	2.2±20%	22	100K/0.1V	7.960M	50.0	6.0	9.00	18.00
2R7	2.7±20%	24	100K/0.1V	7.960M	40.0	8.0	8.20	16.00
3R3	3.3±20%	26	100K/0.1V	7.960M	38.0	8.7	7.50	15.00
4R7	4.7±20%	25	100K/0.1V	7.960M	36.0	10.0	7.00	13.00
5R6	5.6±20%	24	100K/0.1V	7.960M	28.0	15.0	6.50	11.00
6R8	6.8±20%	24	100K/0.1V	7.960M	26.0	17.0	6.00	10.50
8R2	8.2±20%	24	100K/0.1V	7.960M	24.0	19.0	5.80	9.80
100	10.0±20%	22	100K/0.1V	2.520M	22.0	21.0	5.60	9.20
120	12.0±20%	25	100K/0.1V	2.520M	20.0	30.0	4.80	8.00
150	15.0±20%	28	100K/0.1V	2.520M	17.0	34.0	4.50	7.50
180	18.0±20%	28	100K/0.1V	2.520M	16.0	36.0	4.20	7.00
220	22.0±20%	40	100K/0.1V	2.520M	15.0	47.0	3.60	6.50
270	27.0±20%	35	100K/0.1V	2.520M	11.0	60.0	3.30	5.50
330	33.0±10%	35	100K/0.1V	2.520M	10.0	65.0	3.10	5.00
390	39.0±10%	28	100K/0.1V	2.520M	9.0	75.0	2.90	4.60
470	47.0±10%	24	100K/0.1V	2.520M	7.5	82.0	2.70	4.20
560	56.0±10%	22	100K/0.1V	2.520M	7.2	100.0	2.50	3.80
680	68.0±10%	24	100K/0.1V	2.520M	7.0	120.0	2.30	3.50
820	82.0±10%	18	100K/0.1V	2.520M	6.0	140.0	2.10	3.20
101	100.0±10%	25	100K/0.1V	0.796M	5.8	180.0	1.90	3.00
121	120.0±10%	20	100K/0.1V	0.796M	5.5	210.0	1.80	2.80
151	150.0±10%	20	100K/0.1V	0.796M	4.5	250.0	1.60	2.60
181	180.0±10%	18	100K/0.1V	0.796M	4.0	280.0	1.50	2.30
221	220.0±10%	15	100K/0.1V	0.796M	3.8	360.0	1.30	2.10
271	270.0±10%	15	100K/0.1V	0.796M	3.5	410.0	1.20	1.80
331	330.0±10%	15	100K/0.1V	0.796M	3.2	520.0	1.10	1.60
391	390.0±10%	12	100K/0.1V	0.796M	2.5	600.0	1.00	1.50
471	470.0±10%	12	100K/0.1V	0.796M	2.2	720.0	0.90	1.40
561	560.0±10%	10	100K/0.1V	0.796M	2.0	880.0	0.85	1.30
681	680.0±10%	10	100K/0.1V	0.796M	1.6	1000.0	0.80	1.20
821	820.0±10%	10	100K/0.1V	0.796M	1.5	1300.0	0.75	1.10
102	1000.0±10%	10	100K/0.1V	0.252M	1.4	1600.0	0.65	1.00

Type 3621 Series

**Environmental Characteristics -
B, C, D, E, K, L, M Series**

Storage Temp:	-40°C to +125°C
Operating Temp:	-25°C to +105°C
Rated Current:	Base on temp. rise & $\Delta L/L=10\%$ max.
Temp. Rise:	40°C max.

**Dimensions
B, C, D, E, K, L, M Series**



Series	A	B	C ref.	D ref.	E	F
3621B	5.60±0.2	3.70±0.3	2.30	5.80	6.00	1.70
3621C	5.60±0.2	4.50±0.3	2.30	5.80	6.00	1.70
3621D	7.50±0.3	5.00±0.3	2.60	8.00	7.80	2.40
3621E	9.50±0.3	5.50±0.15	2.90	10.00	10.00	2.80
3621K	5.60±0.2	2.50±0.3	2.30	5.80	6.00	1.70
3621L	9.50±0.3	11.50±0.5	2.90	10.00	10.00	2.80
3621M	13.00±0.7	7.00±0.3	5.00	14.00	14.00	4.50

How to Order

3621	A	1R5	K
Common Part	Style	Inductance	Tolerance
3621	A, B, C, D, E, F, G, H, J, K, L, M	See Relevant Table for Inductance Code	K - ±10% L - ±15% M - 20%

While TE has made every reasonable effort to ensure the accuracy of the information in this Data Sheet, TE does not guarantee that it is error-free, nor does TE make any other representation, warranty or guarantee that the information is accurate, correct, reliable or current. TE reserves the right to make any adjustments to the information contained herein at any time without notice. TE expressly disclaims all implied warranties regarding the information contained herein, including, but not limited to, any implied warranties of merchantability or fitness for a particular purpose. The dimensions in this data sheet are for reference purposes only and are subject to change without notice. Specifications are subject to change without notice. Consult TE for the latest dimensions and design specifications.