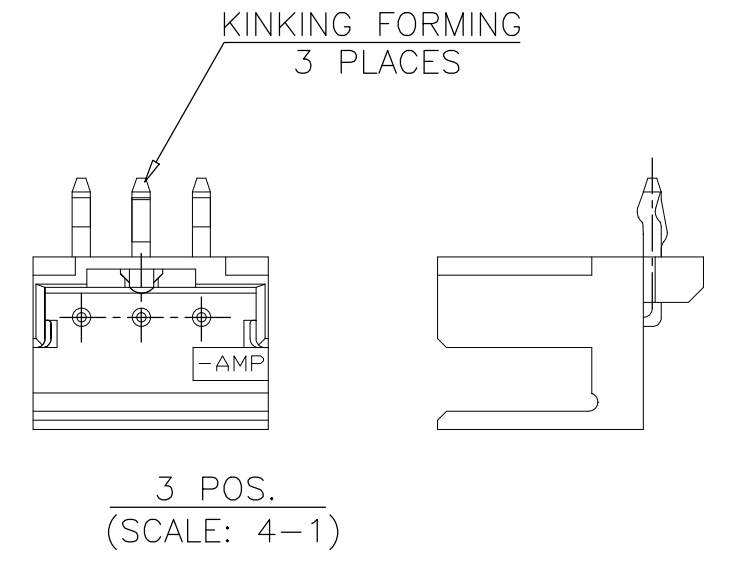
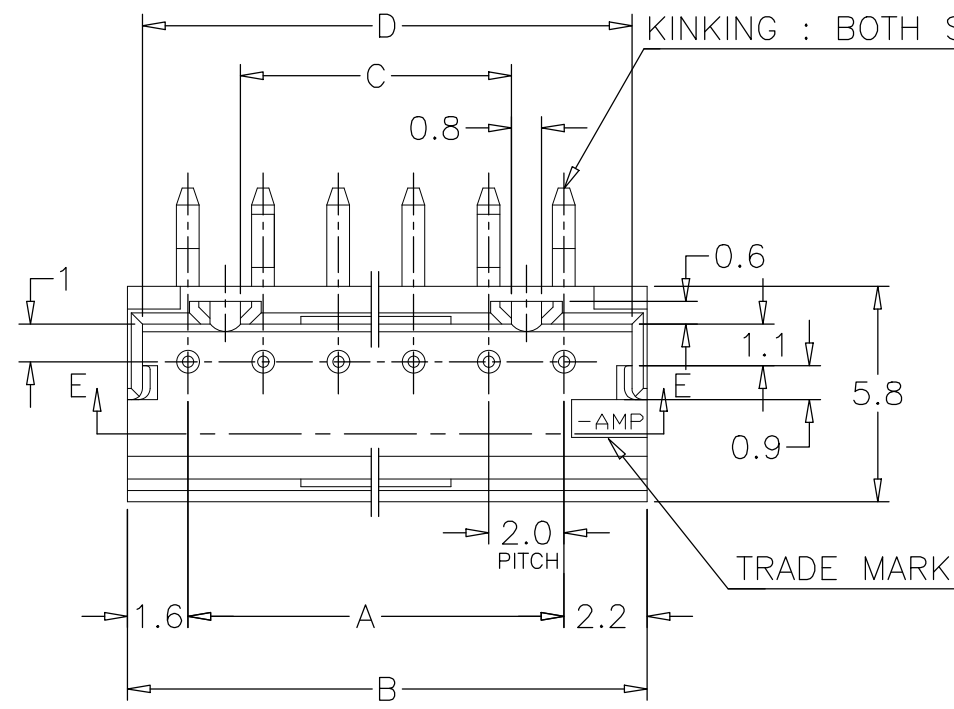
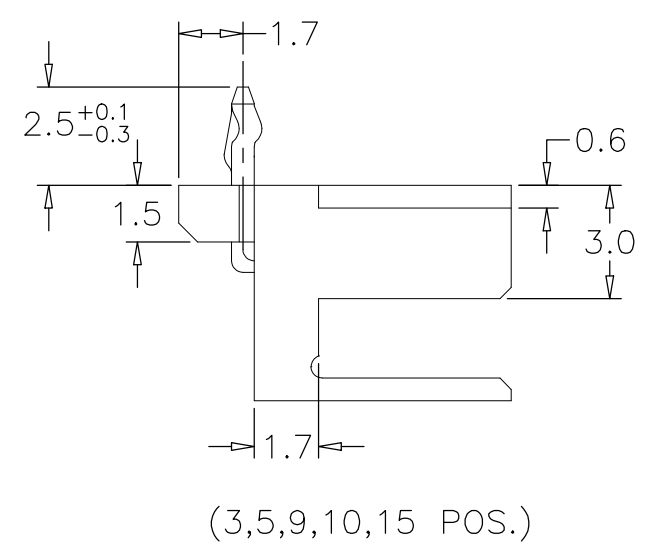
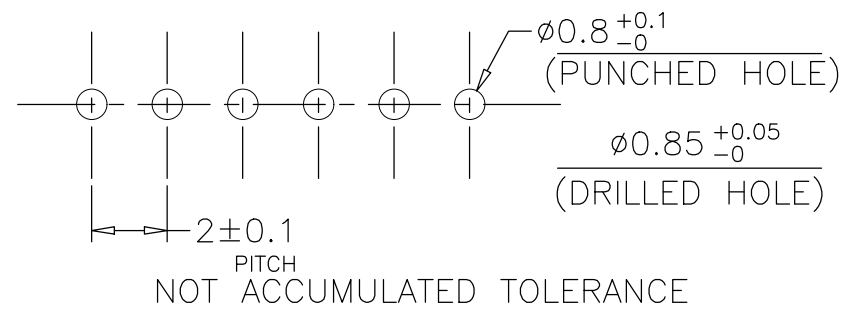
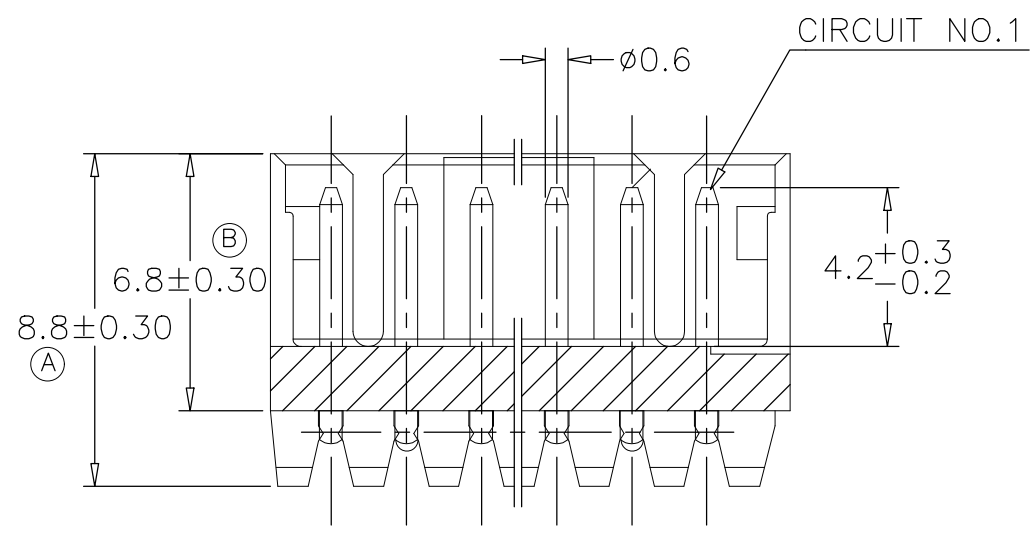


THIS DRAWING IS UNPUBLISHED. RELEASED FOR PUBLICATION
 © COPYRIGHT - TE Connectivity Ltd. ALL RIGHTS RESERVED.

REVISIONS					
P	LTR	DESCRIPTION	DATE	DWN	APVD
C1	REVISED	ECR-18-010748	11JUL18	T.Q	W.H



- NOTES:
- 1 MATERIAL : HOUSING-66 NYLON (UL94V-0)
POST-TIN BRASS
 - 2 THIS PRODUCT IS SHORT TIME OF P/N 292250
 - 3 APPLICABLE RECEPTACLE : P/N 173977



3,5,9,10,15 POS.
SECT E-E

COLOR	P/N	POS.	A	B	C	D
BLACK	6-292130-3	3	4	7.8	—	7.0
YELLOW	4-292130-3	3	4	7.8	—	7.0
NATURAL	1-292130-5	15	28	31.8	25.2	31.0
		10	18	21.8	15.2	21.0
		9	16	19.8	13.2	19.0
		6	10	13.8	7.2	13
		5	8	11.8	5.2	11
	292130-3	3	4	7.8	—	7.0

RECOMMENDABLE P.C. BOARD LAYOUT
(PCB THK : 0.8-1.6)

TOLERANCES UNLESS OTHERWISE SPECIFIED:

10**	: ±0.2
30**>10	: ±0.25
100**>30	: ±0.3
ANGEL	: ±3°

THIS DRAWING IS A CONTROLLED DOCUMENT.

DIMENSIONS: mm	TOLERANCES UNLESS OTHERWISE SPECIFIED:
0 PLC ± -	1 PLC ± -
2 PLC ± -	3 PLC ± -
4 PLC ± -	ANGLES ± -
MATERIAL SEE NOTE	FINISH SEE NOTE

THIS DRAWING IS A CONTROLLED DOCUMENT.

DWN S.XU 31JAN03
 CHK S.YAO 31JAN03
 APVD T.SASAKI 31JAN03

NAME: POST HEADER ASS'Y (BOX-H TYPE)
(AMP CT CONNECTOR 2mm PITCH)

PRODUCT SPEC: 108-60016
 APPLICATION SPEC: -

SIZE: A3 CAGE CODE: 00779 DRAWING NO: C-292130 RESTRICTED TO: -

WEIGHT: -

CUSTOMER DRAWING SCALE: 5:1 SHEET: 1 OF 1 REV: C1