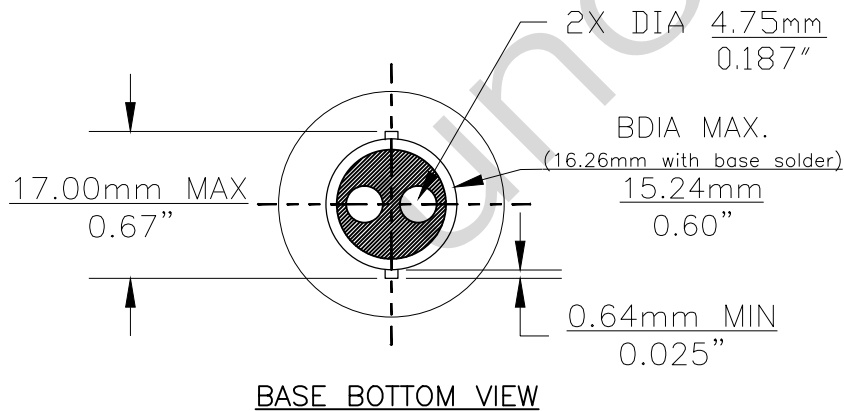
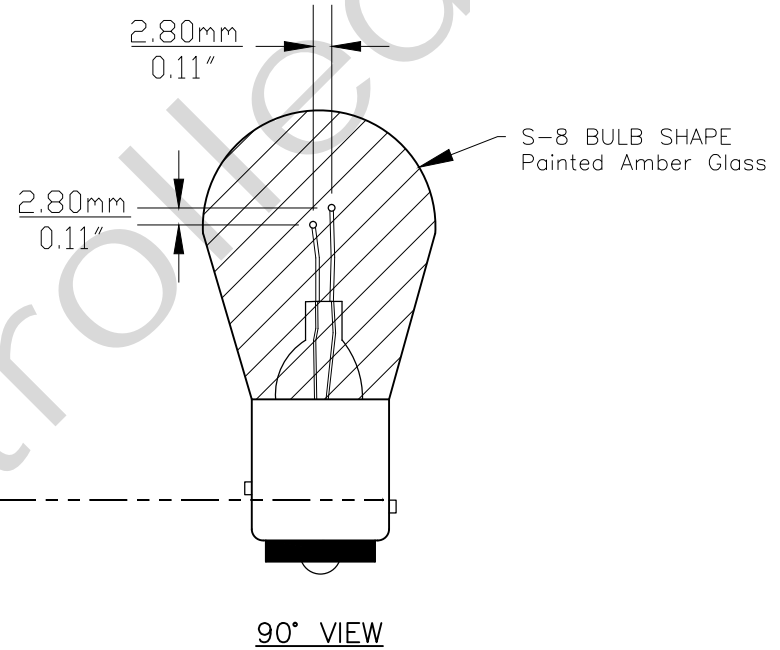
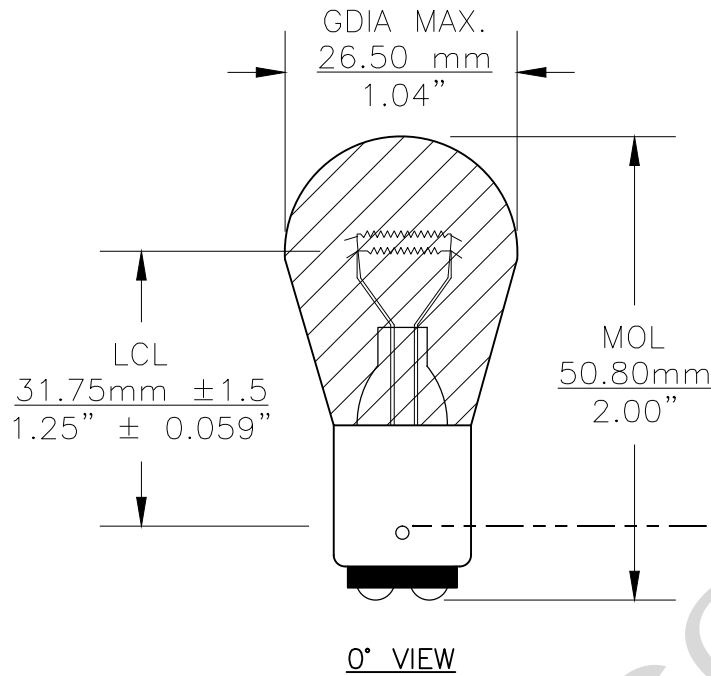




Since 1959

PART NO.	BASE TYPE	DESIGN VOLTS	DESIGN AMPS	MSCD	FILAMENT TYPE	AVERAGE LIFE HOURS	REVISIONS			
							REV #	DESCRIPTION	DATE	APPROVED
2357A	D.C. INDEX BAY15d	12.8V 14V	2.2±5% 0.59±8%	32±30% 2.2±30%	C-6 C-6	400 5000	1	ISSUED	05/19/2014	R.M.



UNLESS OTHERWISE SPECIFIED:
DIMENSIONS ARE IN INCHES
TOLERANCES
DECIMALS ANGULAR
.XX ± .05 ± 0.5°
.XXX ± .010
FRACTIONAL ± 1/64

CEC INDUSTRIES LTD

599 BOND STREET

LINCOLNSHIRE, IL 60069

DRAWN ROSE MEDINA	DATE 05/19/2014	TITLE LIGHT BULB NO. 2357A			
CHECKED	SIZE A	FSCM NO.	DWG NO. 2357A	REV 1	
DESIGN	SCALE	PLOT SCALE	SHEET 1 OF 1		
MATERIAL	FILE 2357A.pdf	DRAWING NOT TO SCALE			