

4

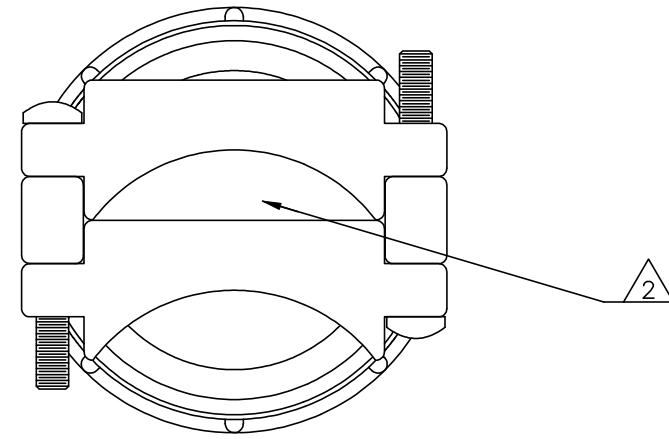
3

2

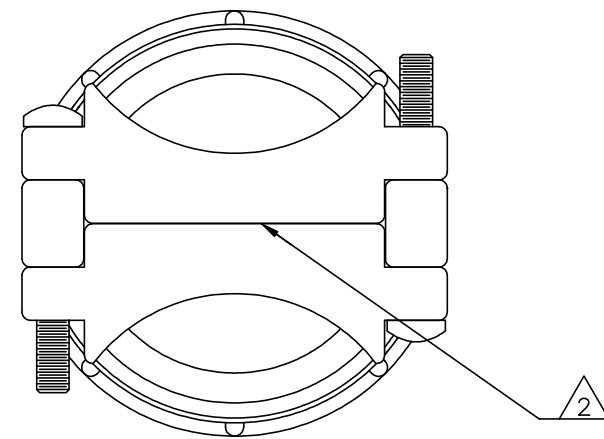
1

THIS DRAWING IS UNPUBLISHED. RELEASED FOR PUBLICATION. ALL RIGHTS RESERVED.

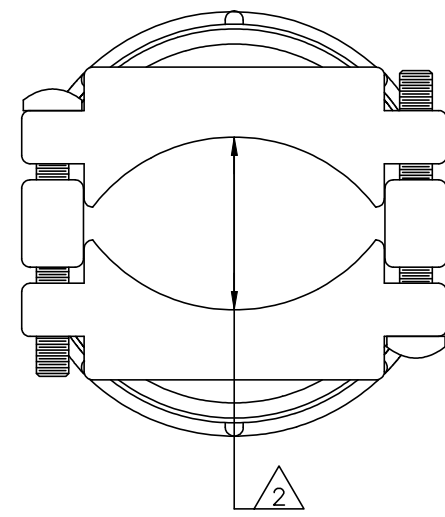
REVISIONS				
P	LTR	DESCRIPTION	DATE	APVD
E1		REVISED PER ECO-11-004820	11MAR11	RK HMR
F		REVISED PER ECO-19-014983	14OCT2019	RS MZ



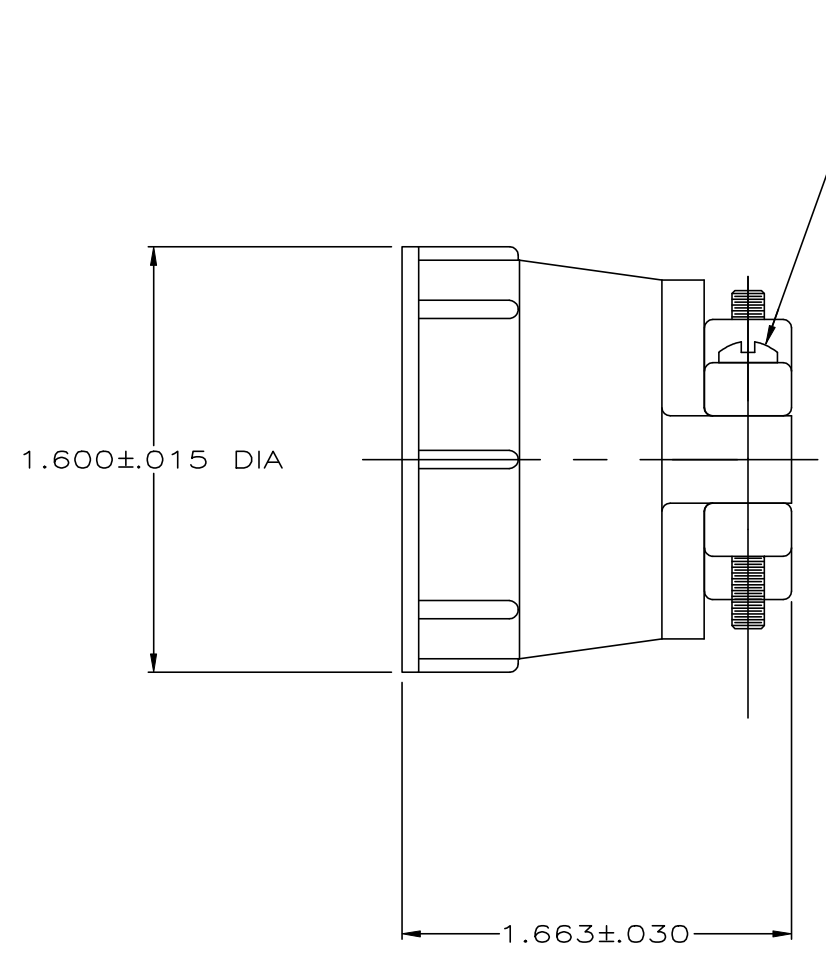
INTERMEDIATE



MINIMUM



MAXIMUM



(2) #5-20 SELF-TAPPING SCREWS,  
SOLID OR SLOTTED SHANK.  
MATERIAL: ZINC PLATED STEEL  
LENGTH: 1.00 ± .008

1 PARTS PACKAGED UNASSEMBLED.

2 CABLE CLAMPING AREA ADJUSTABLE FROM .000 TO .652 SQ IN, MAX CABLE DIA = 1.125 INCHES. TWO CLAMPING INSERTS SUPPLIED WITH ASSEMBLY, CLAMPING SREA DETERMINED BY POSITION OF INSERTS AS SHOWN AT RIGHT.

3 BULK PACKAGED KITS TO BE ORDERED IN MULTIPLES OF 250 ONLY.

4 SCREWS NON-HEXAVALENT CHROMATE COATED.

4	3	BULK	207774-4
4	4	INDIVIDUAL	207774-3
4	3	BULK	207774-2
4	4	INDIVIDUAL	207774-1
PACKAGING			PART NUMBER

THIS DRAWING IS A CONTROLLED DOCUMENT.		DWN A.STAUB BG 4-3-91	TE Connectivity	
DIMENSIONS: INCHES		CHK W.G.LENKER 7-23-92	NAME	
TOLERANCES UNLESS OTHERWISE SPECIFIED:		APVD -	PRODUCT SPEC 108-10024	
0 PLC ± -		APPLICATION SPEC -	SIZE A2	CAGE CODE 00779
1 PLC ± -		WEIGHT -	DRAWING NO C=207774	RESTRICTED TO -
2 PLC ± -		CUSTOMER DRAWING		
3 PLC ± -		SCALE 2:1		
4 PLC ± -		SHEET 1 of 1		
ANGLES ± -		REV F		
FINISH -				

207774

A