

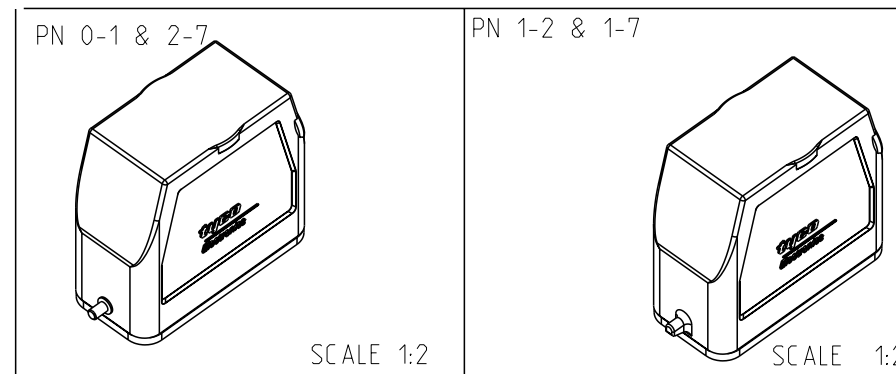
THIS DRAWING IS UNPUBLISHED. RELEASED FOR PUBLICATION 2000  
 © COPYRIGHT 2000 BY - ALL RIGHTS RESERVED.

REVISIONS

P	LTR	DESCRIPTION	DATE	DWN	APVD
B3		RELEASED AS PER ECR-09-005170	05.MAR.2009	GG	TS
B4		REVISED PER ECR-17-013084	11JAN2018	SRG	MKO

NOTES

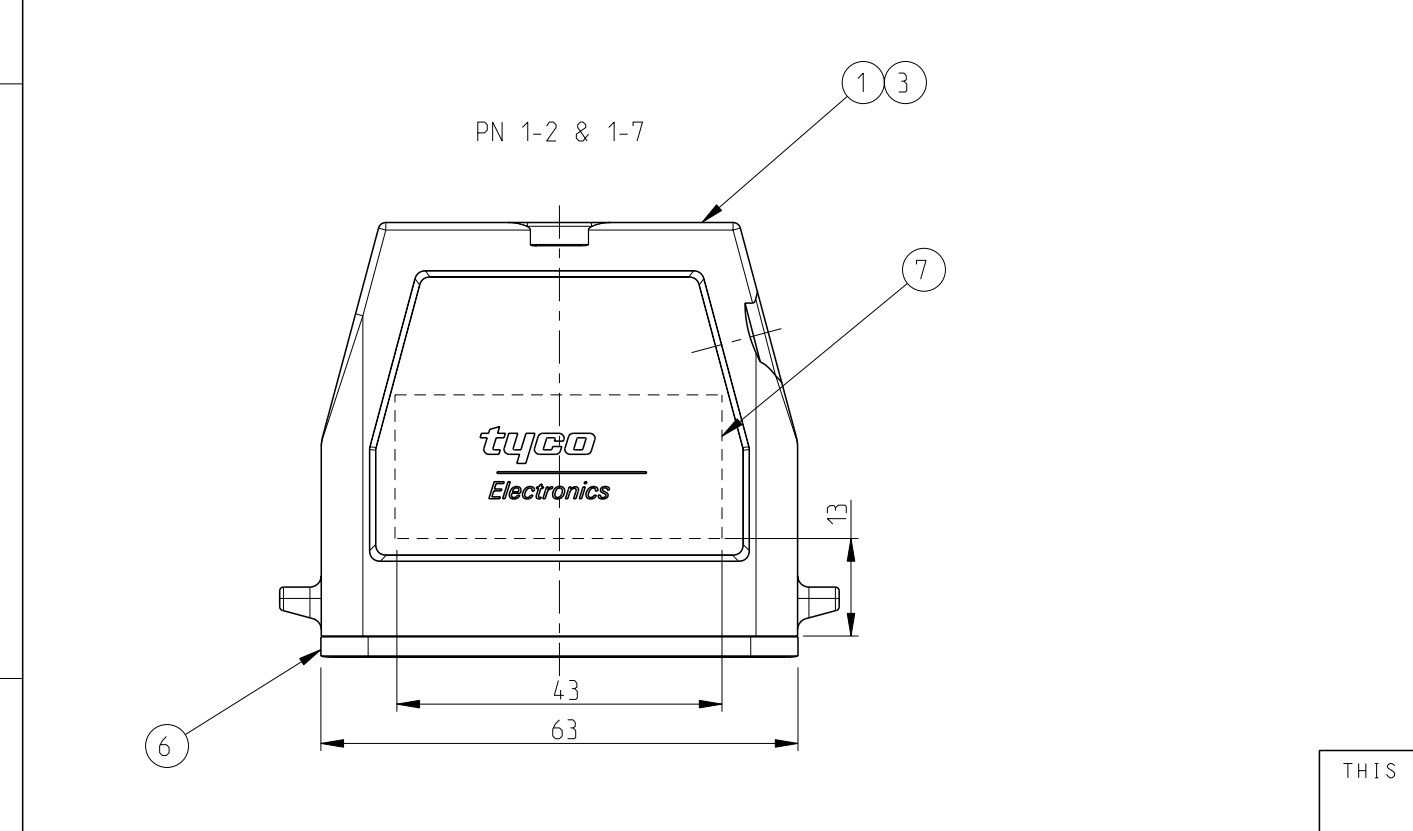
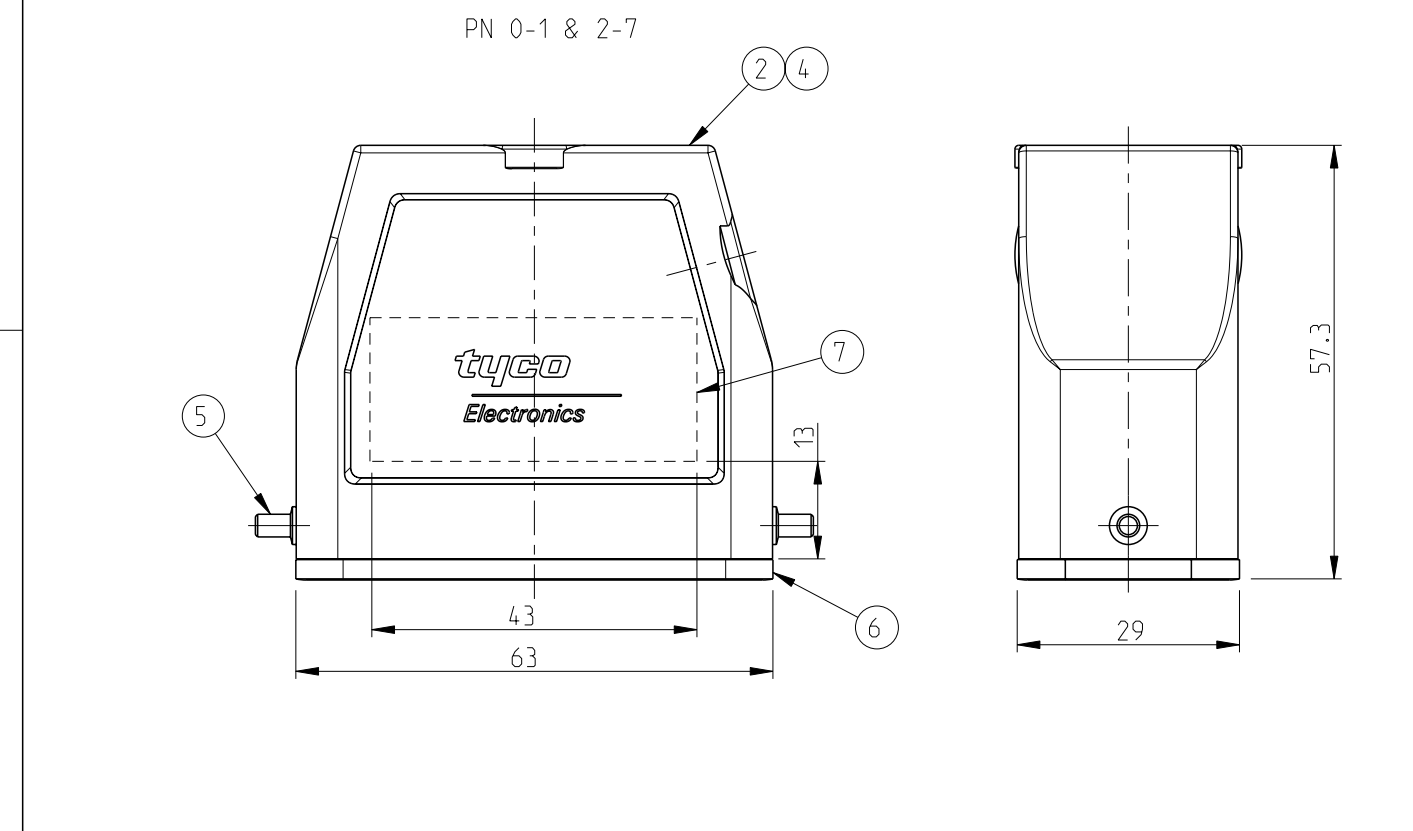
- 1 PACKAGING  
PACKAGING QUANTITY:5 PIECES PER BOX
- 2 MATERIAL:HOUSING ALUMINIUM DIECASTING ALLOY
- 3 SURFACE:POWDER COATED-GREY  
CORROSION PROTECTION-BLACK
- 4 VARNISH ON THE INSIDE NOT NECESSARY



OBSOLETE

2	2	2	2	DESCRIPTION	MATERIAL	SURFACE	COLOR	ITEM NO	REMARKS
2	2	2	2	INSULATING TAPE	COROPLAST TYP 303	-	GREY	7	PVC-SOFT
1	1	1	1	PROFILE SEAL	NEOPRENE	-	BLACK	6	-
2	-	-	2	CLIP BOLT	STAINLES STEEL	BLANK	-	5	-
1	-	-	-	HOOD	ALUMINIUM	HARD COAT	BLACK	4	-
-	1	-	-	HOOD	ALUMINIUM	-	GREY	3	-
-	-	-	1	HOOD	ALUMINIUM	HARD COAT	ALU COLORED	2	-
-	-	1	-	HOOD	ALUMINIUM	WITHOUT VARNISH	-	1	-

2-7	1-7	1-2	0-1	DESCRIPTION	MATERIAL	SURFACE	COLOR	ITEM NO	REMARKS
				HA-K.10.STS.1.16.G					1 PACKAGING
				HA.10.STS.1.16.G					1 PACKAGING
				HA.10.STS.1.16.G					1 PACKAGING
				HA-K.10.STS.1.16.G					1 PACKAGING



THIS DRAWING IS A CONTROLLED DOCUMENT.

DWN: S.KUMAR 23/02/2006  
 CHK: R.SRINIVAS 23/02/2006  
 APVD: T.SCHNURPFEL 23/02/2006

PRODUCT SPEC: 108-74009  
 APPLICATION SPEC: 114-74001  
 WEIGHT: -

NAME: HOOD HA.10.STS.1.16.G

TE Connectivity

SIZE: A3 CAGE CODE: 00779 DRAWING NO: C-1102117 RESTRICTED TO: -

CUSTOMER DRAWING SCALE: 1:1 SHEET: 1 OF 1 REV: B4

DIMENSIONS: mm

TOLERANCES UNLESS OTHERWISE SPECIFIED:

0	PLC	
1	PLC	±
2	PLC	±
3	PLC	±
4	LC	±
	ANGLES	±

MATERIAL: material\_2 FINISH: finish\_spec\_2