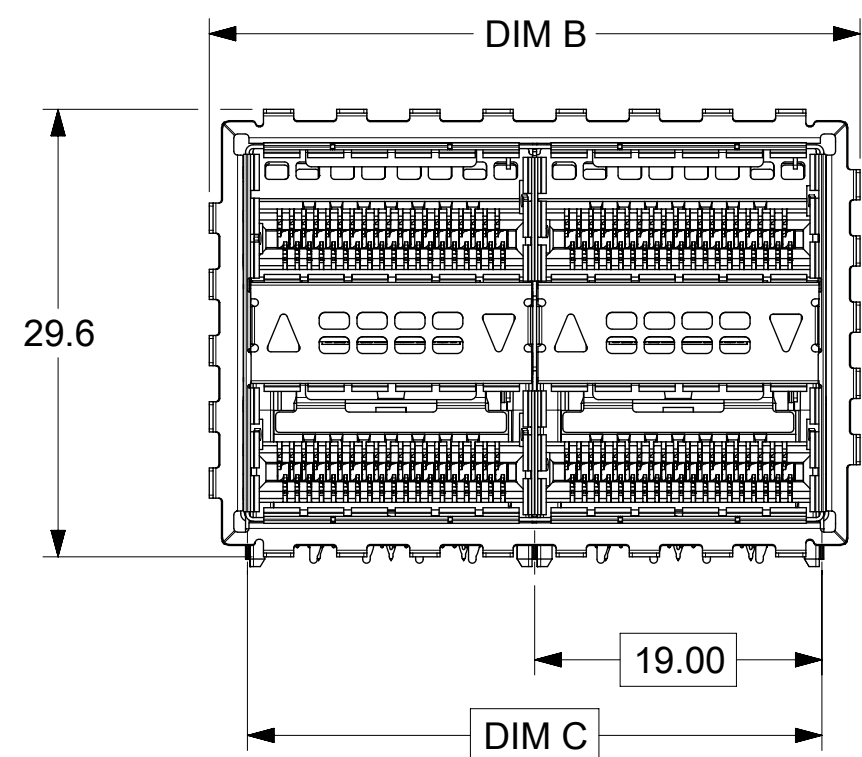
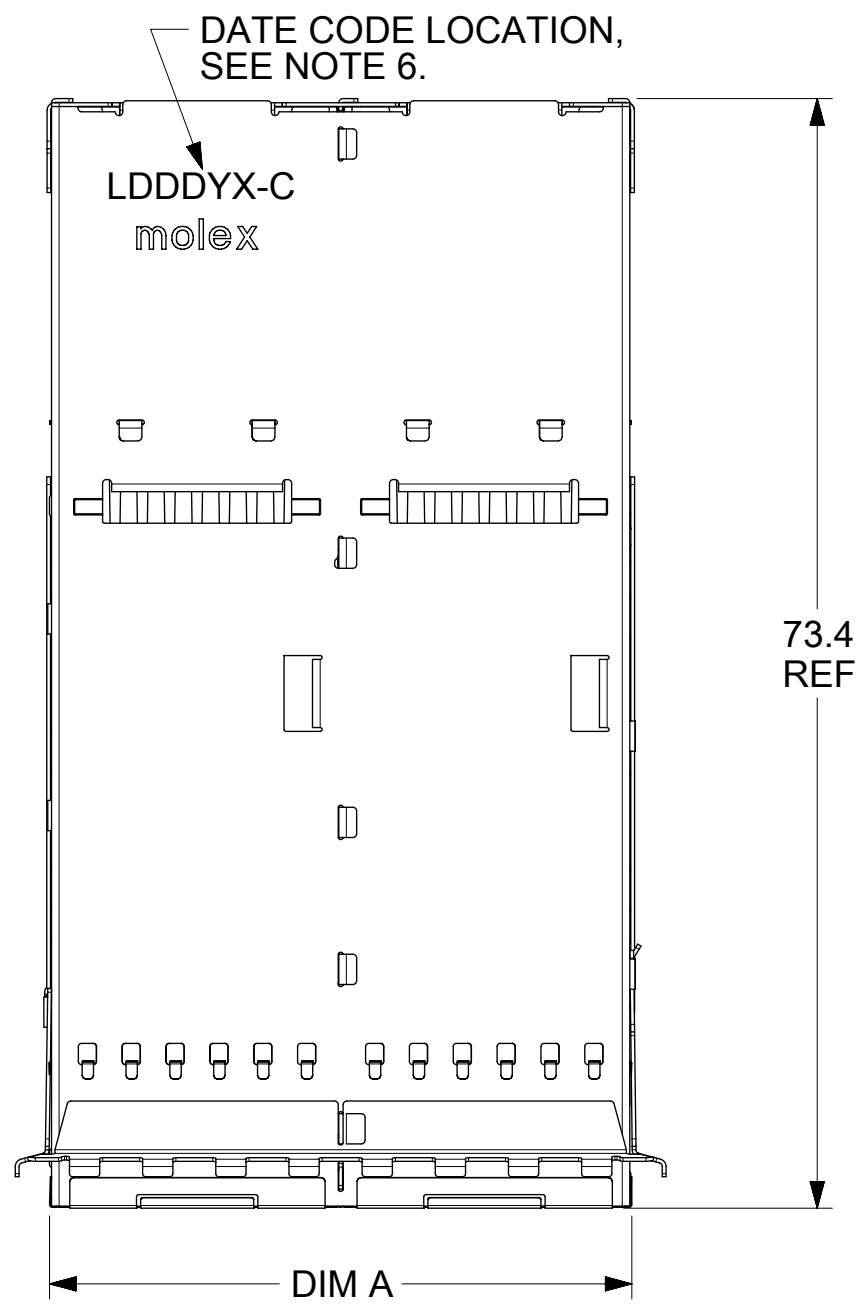


1715657202 SHOWN

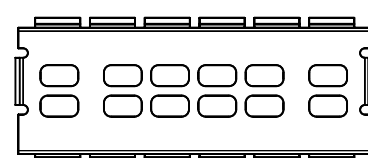
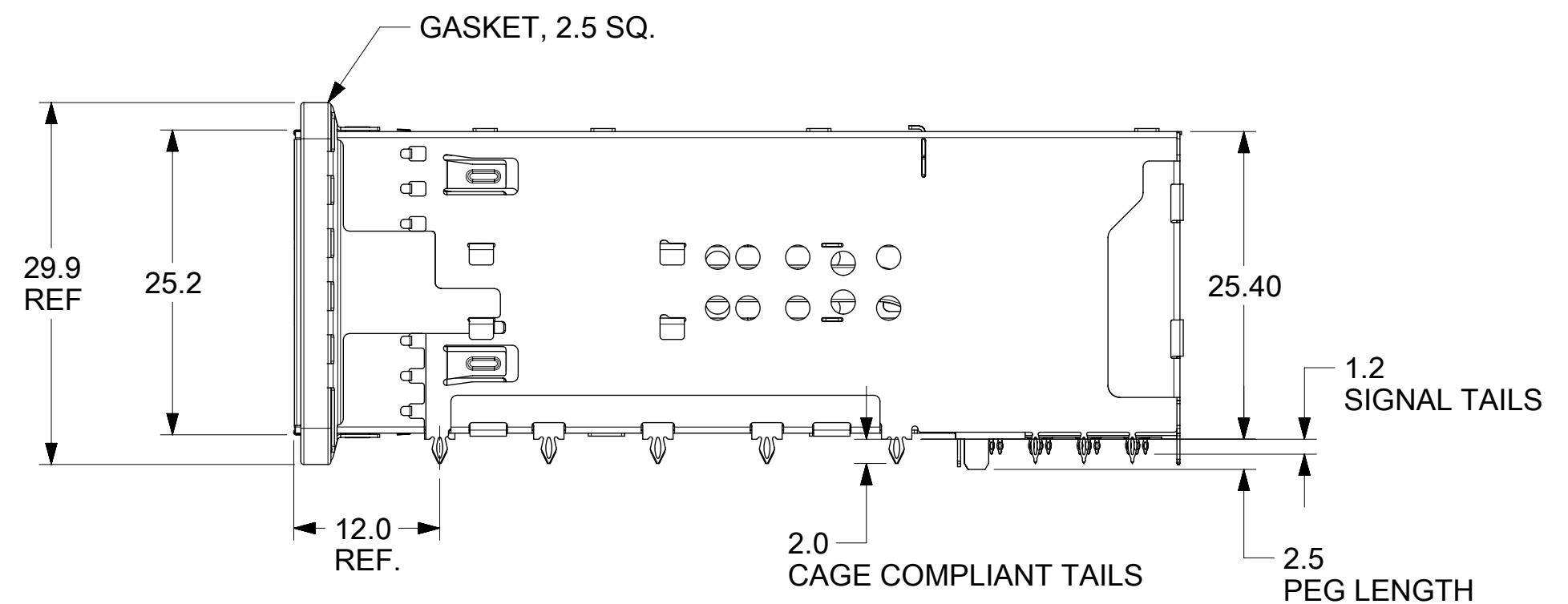


PORT SIZE	PART NUMBER	DIM 'A'	DIM 'B'	DIM 'C'
2X1	171565-710*	19.5	24.1	19.00
2X2	171565-720*	38.5	43.1	38.00
2X3	171565-730*	57.5	62.1	57.00

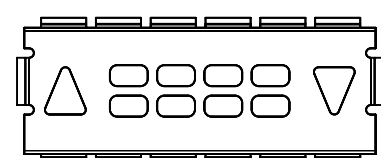
* - DESIGNATES FRONT PLATE OPTIONS

NOTES:

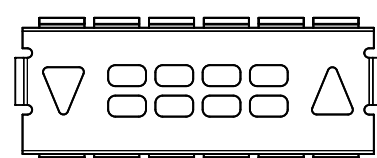
- MATERIAL:**
 CAGE: NICKEL SILVER, 0.25 THICK
 EMI STRAPS: COPPER ALLOY, 0.08 THICK
 GASKET: SILICONE
 LIGHT PIPES (OPTIONAL): POLYCARBONATE
 (PER TELCORDIA-GR-63-CORE-ISSUE3, SECTION 4.2.3.1; R4-43, DISCRETE STRUCTURAL COMPONENTS CONSTITUTING A FUEL LOAD OF 1 GRAM OR LESS ARE EXEMPT FROM THE REQUIREMENTS OF R4-43 (91); UL 94V-0 RATING)
 CONNECTOR HOUSING: HIGH PERFORMANCE THERMOPLASTIC, 94V-0
 TERMINALS: HIGH PERFORMANCE COPPER ALLOY, 0.18 THICK
- FINISH:**
 SPRING FINGERS: 0.5µm NICKEL OVERALL
 GASKET: SILVER
 TERMINALS: CONTACT AREA: 0.76µm MIN GOLD OVER 2.5µm MIN NICKEL.
 COMPLIANT AREA: 0.76-1.52µm MATTE TIN OVER 1.27µm MIN NICKEL.
- ALL SURFACES TO BE CLASS 'C' OR BETTER PER MOLEX COSMETIC SPECIFICATION PS-45499-002.
- REFER TO PK-171565-0001 FOR PACKAGING SPECIFICATIONS.
- CONNECTOR INTENDED TO MATE WITH PLUG CABLE SERIES 74757 AND 74758.
- DATE CODE LOCATION SHOWN, DATE CODE FORMAT: LDDDYX-C
 L: MOLEX INTERNAL CONTROL
 DDD: DAY OF THE YEAR
 Y: LAST DIGIT OF YEAR
 X: MOLEX INTERNAL CONTROL
 C: SUB-MODULE PER CUSTOMER'S REQUEST



P/N 171565-**01
AIRFLOW ONLY
NO LIGHTPIPE



P/N 171565-**02
UP / DOWN LIGHTPIPE
INDICATOR

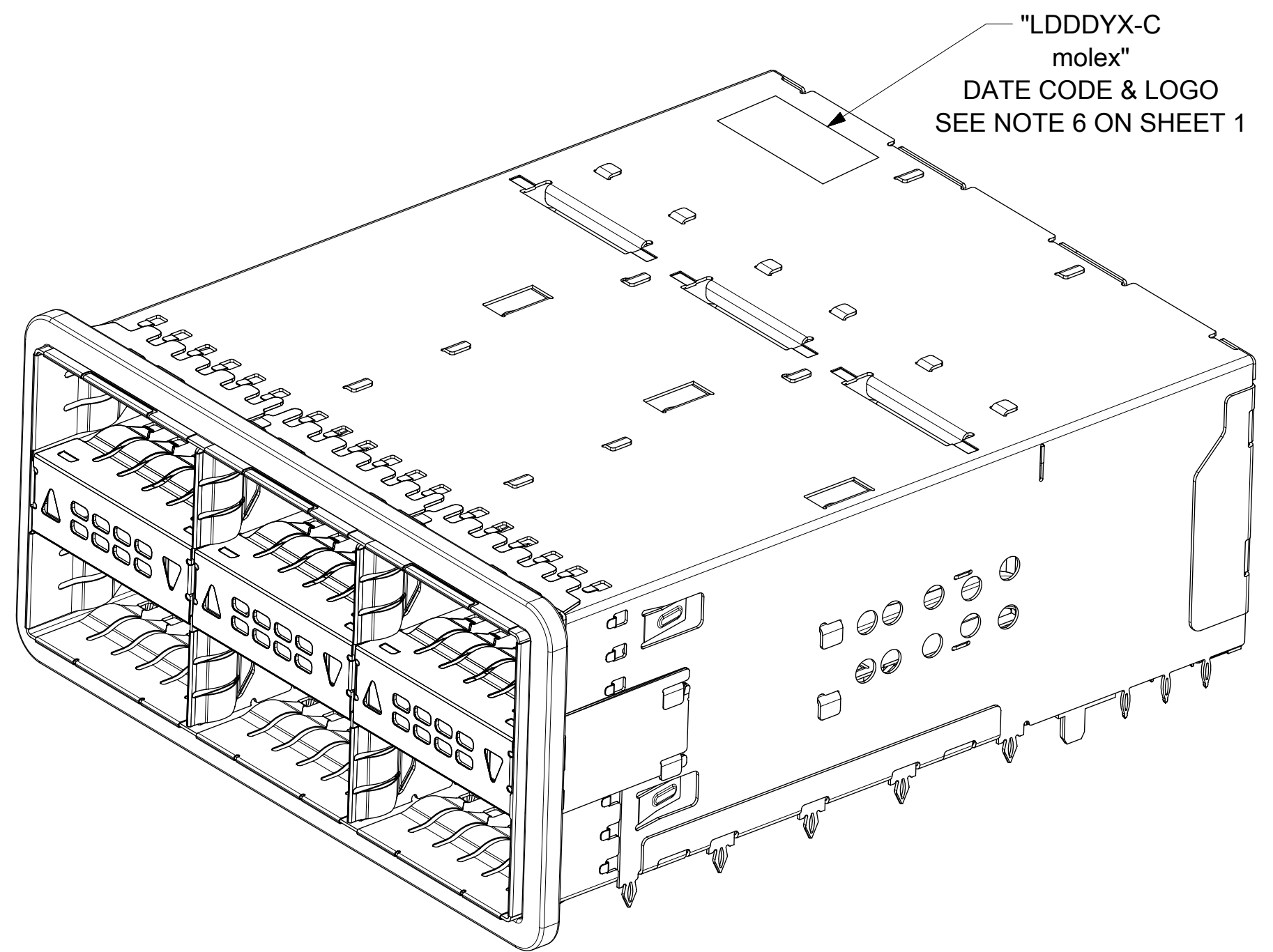
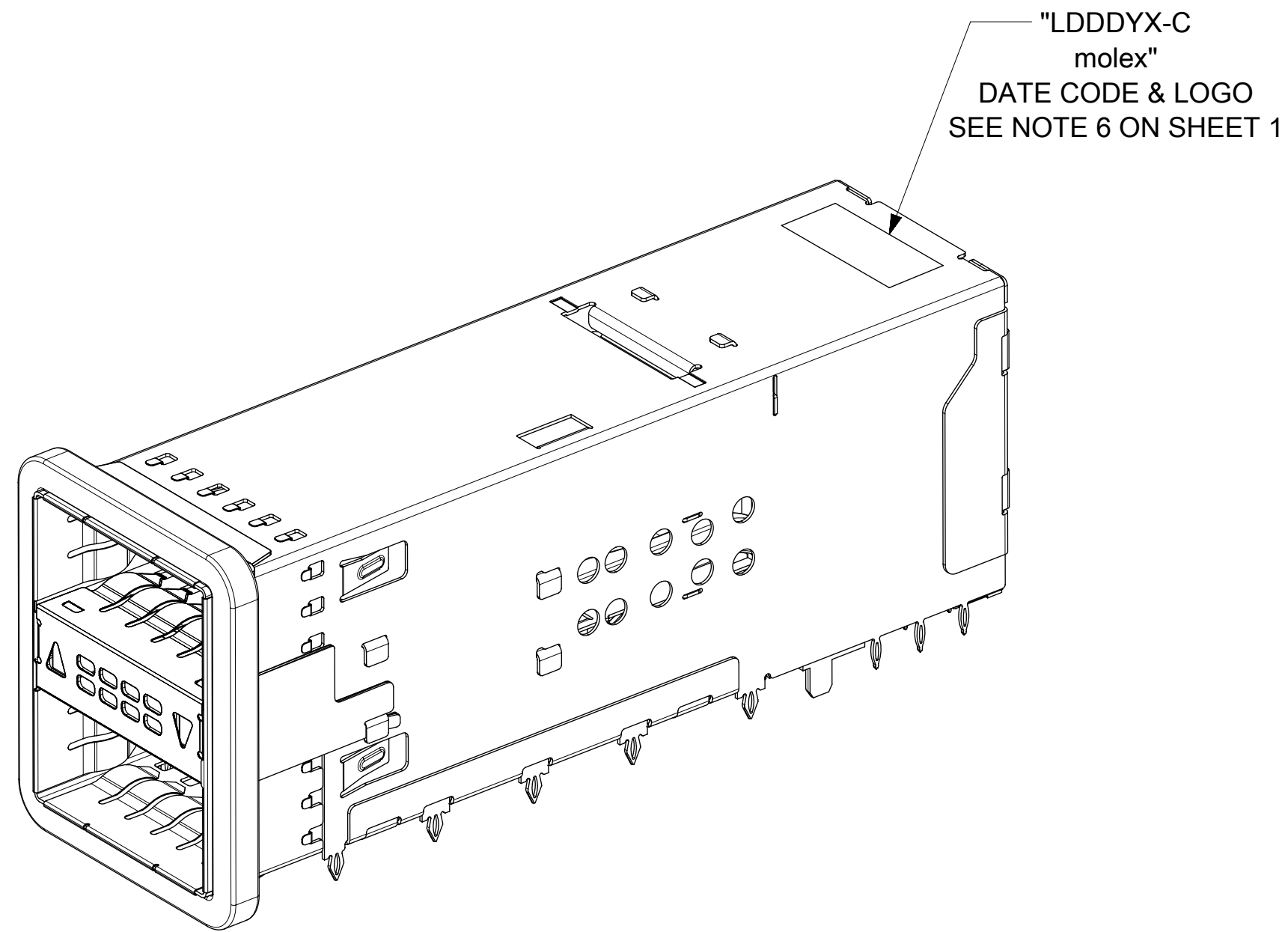



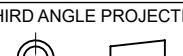
P/N 171565-**03
DOWN / UP LIGHTPIPE
INDICATOR

FUNCTIONAL SYMBOLS	THIS DRAWING CONTAINS INFORMATION THAT IS PROPRIETARY TO MOLEX ELECTRONIC TECHNOLOGIES, LLC AND SHOULD NOT BE USED WITHOUT WRITTEN PERMISSION									
	DIMENSION UNITS		SCALE		CURRENT REV DESC: SEE REVISION HISTORY					
	mm		2:1		EC NO: 728470 DRWN: SYANG16 2022/11/14 CHK'D: BARWANKAR 2022/11/15 APPR: BARWANKAR 2022/11/15					
	GENERAL TOLERANCES (UNLESS SPECIFIED)									
E/A = 0		MM		INCH		INITIAL REVISION: DRWN: JKACHLIC 2012/08/23 APPR: MBANAKIS 2012/08/30				
E/C = 0		±		±						
E/P = 0		4 PLACES ±		±						
DIVISIONAL SYMBOLS		3 PLACES ±		±						
		2 PLACES ±		0.13 ±		DOCUMENT NUMBER: 1715657000 DOC TYPE: PSD DOC PART: ASY REVISION: A				
		1 PLACE ±		0.25 ±						
		0 PLACES ±		±		MATERIAL NUMBER: SEE P/N TABLE CUSTOMER: CISCO SHEET NUMBER: 1 OF 5				
		ANGULAR TOL ±		0.5 °						
DRAFT WHERE APPLICABLE MUST REMAIN WITHIN DIMENSIONS		THIRD ANGLE PROJECTION		DRAWING: C-SIZE		SERIES: 171565				

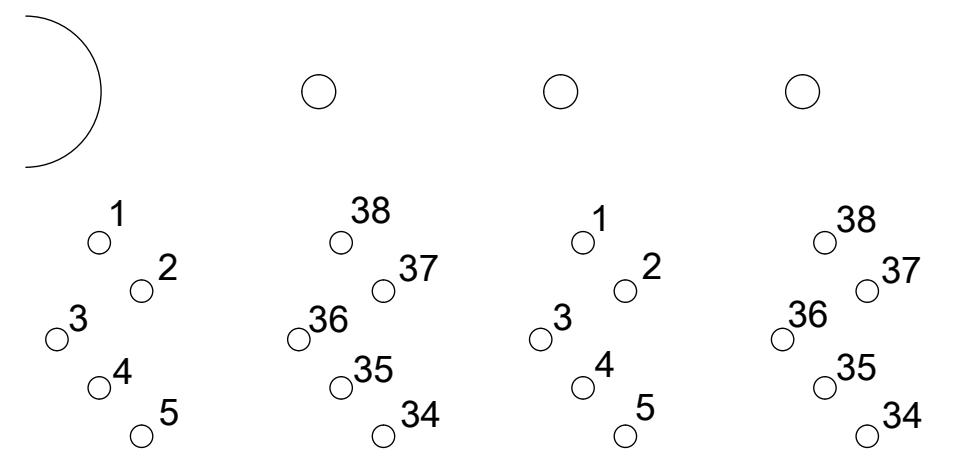
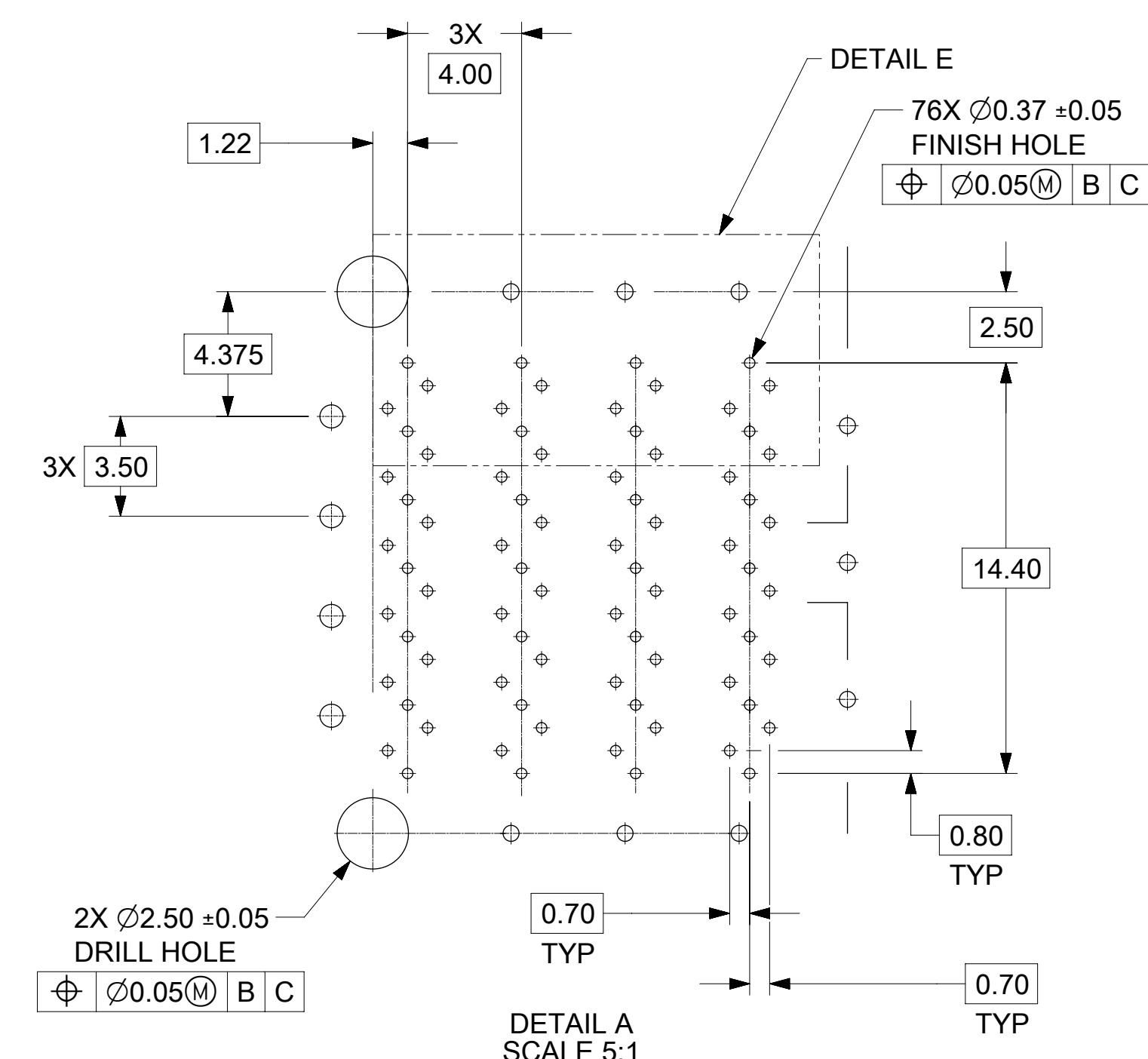
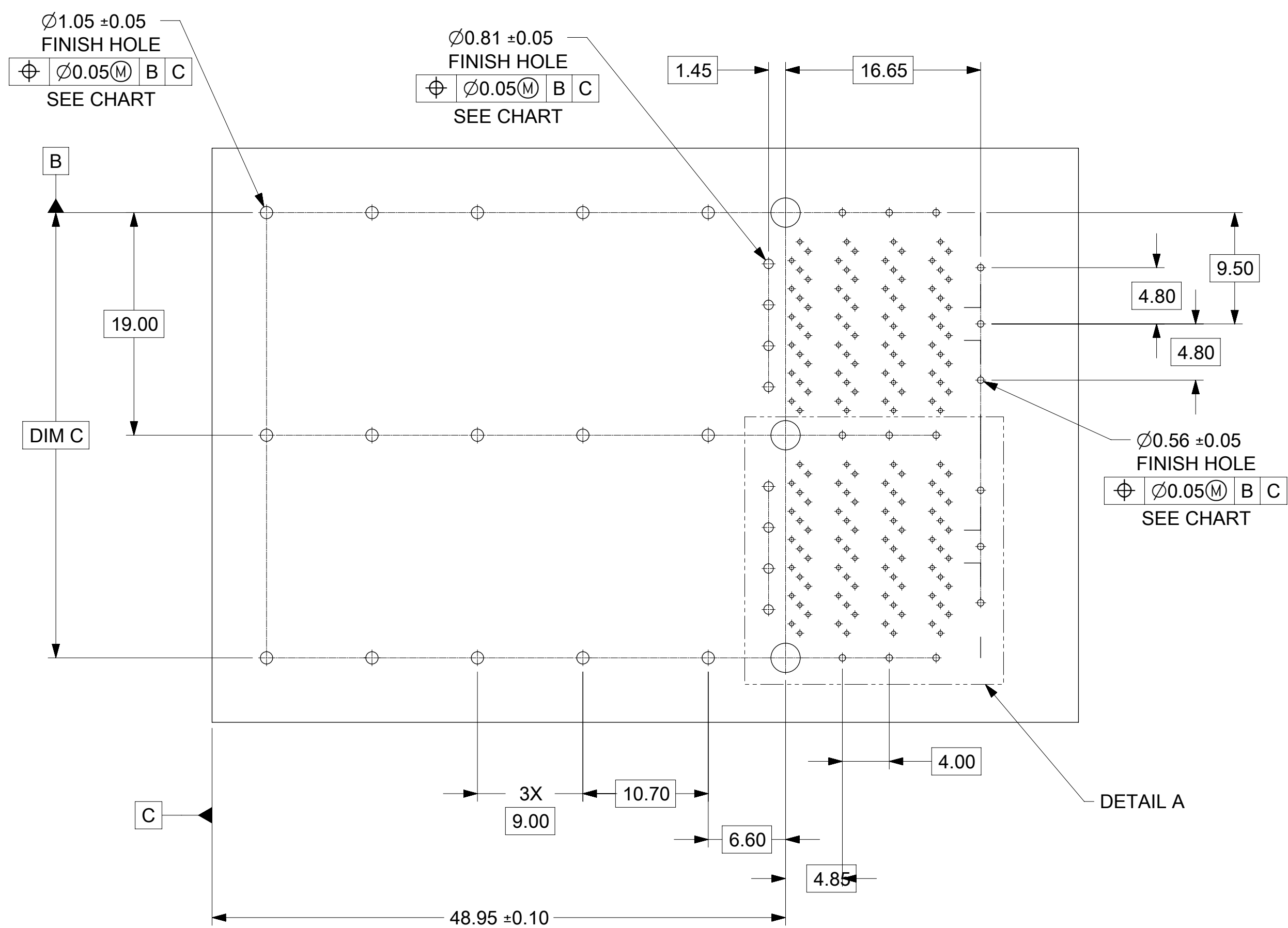
1715657102 SHOWN

1715657302 SHOWN



FUNCTIONAL SYMBOLS	THIS DRAWING CONTAINS INFORMATION THAT IS PROPRIETARY TO MOLEX ELECTRONIC TECHNOLOGIES, LLC AND SHOULD NOT BE USED WITHOUT WRITTEN PERMISSION																
	DIMENSION UNITS		SCALE		CURRENT REV DESC: SEE REVISION HISTORY												
$\frac{F}{A} = 0$	mm		2.5:1		EC NO: 728470 DRWN: SYANG16 CHK'D: BARWANKAR APPR: BARWANKAR									ZQSFP+ STACKED ASSY W/ELASTOMERIC GASKET			
$\frac{F}{C} = 0$	GENERAL TOLERANCES (UNLESS SPECIFIED)										2022/11/14 2022/11/15 2022/11/15						PRODUCT CUSTOMER DRAWING
$\frac{F}{P} = 0$	4 PLACES		±	±	INITIAL REVISION: DRWN: DRAWN BY APPR: APPR BY						DOCUMENT NUMBER		DOC TYPE	DOC PART	REVISION		
DIVISIONAL SYMBOLS		3 PLACES		±							±	0099/99/99					
		2 PLACES		±	0.13	±	0099/99/99						SEE P/N TABLE		CISCO		SHEET NUMBER
		1 PLACE		±	0.25	±	THIRD ANGLE PROJECTION						MATERIAL NUMBER		CUSTOMER		1
		0 PLACES		±	±							SEE P/N TABLE		CISCO		2 OF 5	
		ANGULAR TOL		±	0.5	°	DRAWING						SERIES		171565		
		DRAFT WHERE APPLICABLE MUST REMAIN WITHIN DIMENSIONS								C-SIZE		171565					

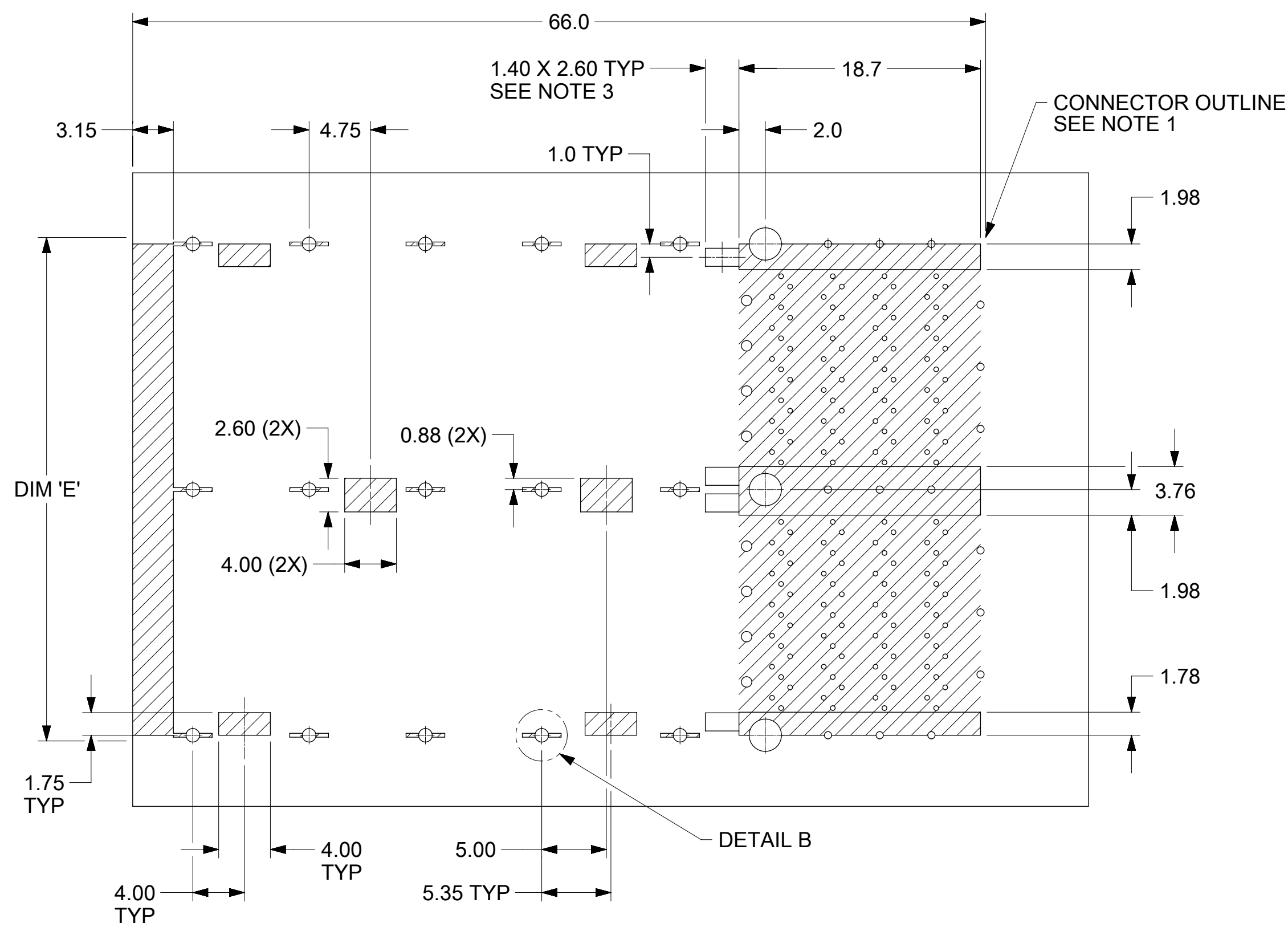
DOCUMENT STATUS	P1	RELEASE DATE	2022/11/15	09:38:04
-----------------	----	--------------	------------	----------



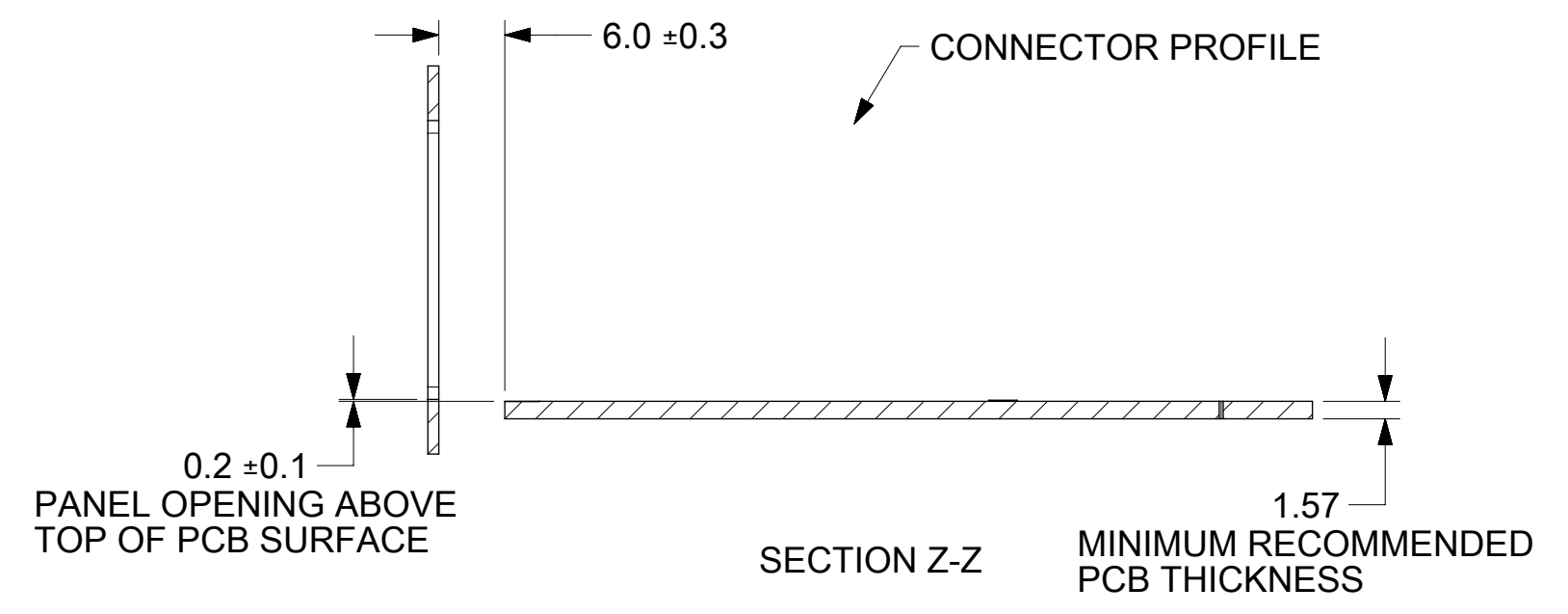
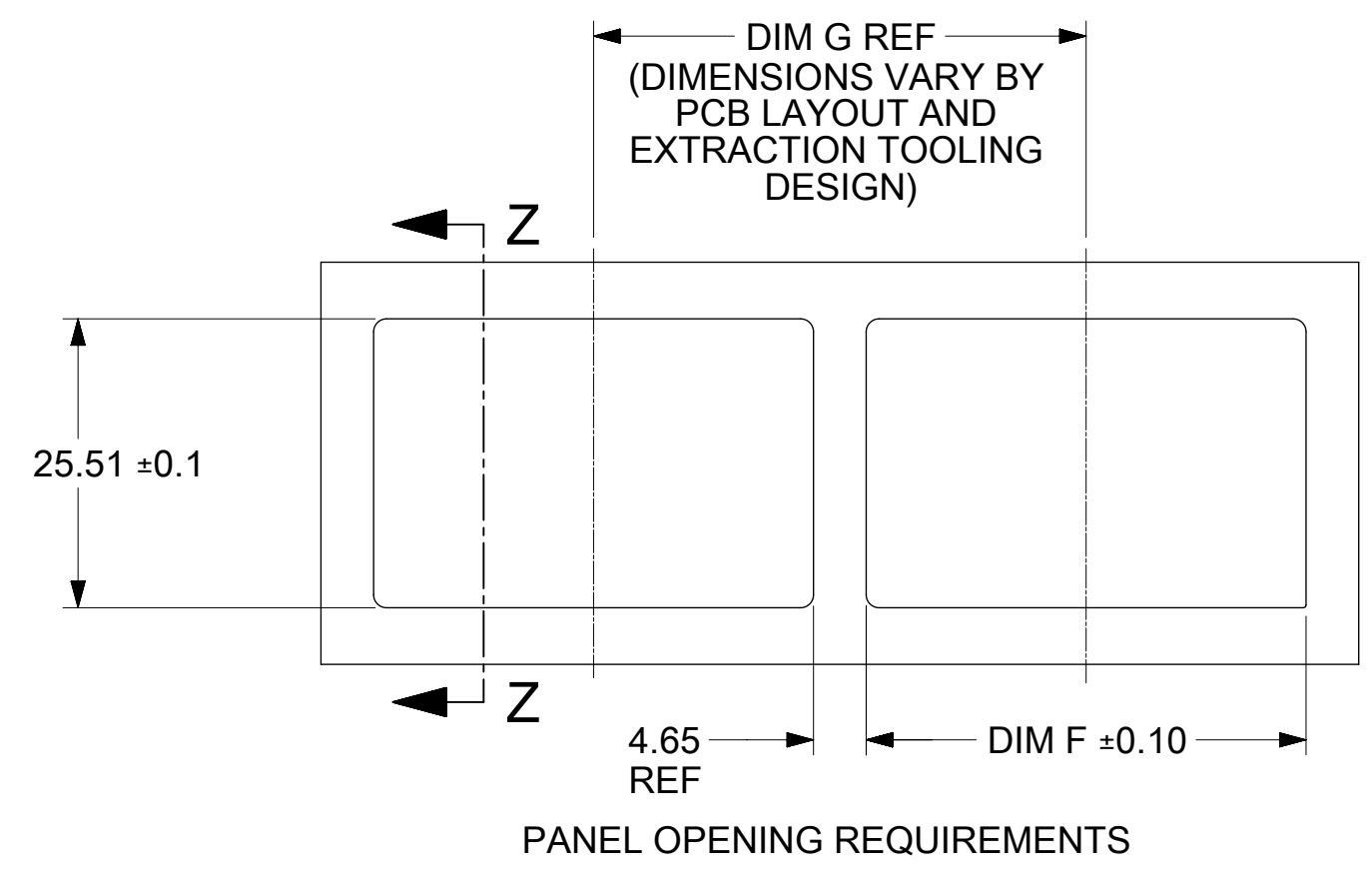
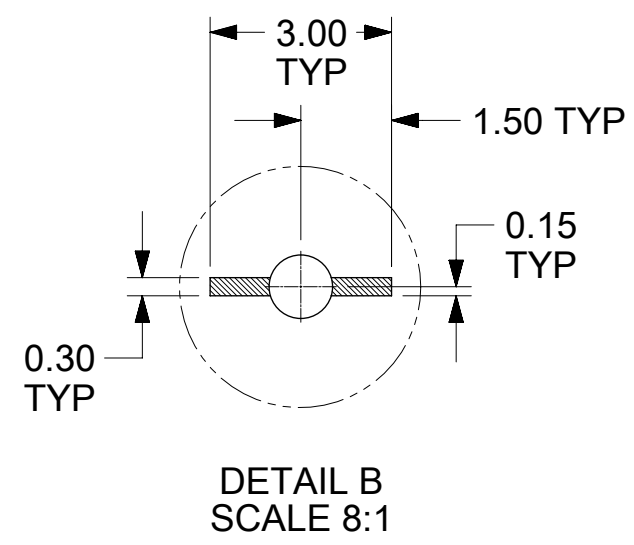
LOWER PORT
UPPER PORT
DETAIL E
SCALE 8:1
PIN ASSIGNMENTS

PORT SIZE	DIM C	Ø1.05 PTH QUANTITY	Ø0.56 PTH QUANTITY	Ø0.81 PTH QUANTITY
2X1	19.00	10	9	4
2X2	38.00	15	15	8
2X3	57.00	20	21	12

FUNCTIONAL SYMBOLS FA = 0 FC = 0 FP = 0	THIS DRAWING CONTAINS INFORMATION THAT IS PROPRIETARY TO MOLEX ELECTRONIC TECHNOLOGIES, LLC AND SHOULD NOT BE USED WITHOUT WRITTEN PERMISSION											
	DIMENSION UNITS		SCALE		CURRENT REV DESC: SEE REVISION HISTORY							
	mm		3:1		<p>molex</p> <p>ZQSFP+ STACKED ASSY W/ELASTOMERIC GASKET</p> <p>PRODUCT CUSTOMER DRAWING</p>							
	GENERAL TOLERANCES (UNLESS SPECIFIED)											
DIVISIONAL SYMBOLS		MM	INCH	EC NO: 728470	2022/11/14		DOCUMENT NUMBER		DOC TYPE	DOC PART	REVISION	
4 PLACES	±	±	±	DRWN: SYANG16	2022/11/15		1715657000		PSD	ASY	A	
3 PLACES	±	±	±	CHK'D: BARWANKAR	2022/11/15		MATERIAL NUMBER		CUSTOMER		SHEET NUMBER	
2 PLACES	±	0.13	±	APPR: BARWANKAR	2022/11/15		SEE P/N TABLE		CISCO		3 OF 5	
1 PLACE	±	0.25	±	INITIAL REVISION:		2012/08/23						
0 PLACES	±	±	±	DRWN: JKACHLIC	2012/08/30							
ANGULAR TOL		± 0.5 °		APPR: MBANAKIS								
DRAFT WHERE APPLICABLE MUST REMAIN WITHIN DIMENSIONS				THIRD ANGLE PROJECTION		DRAWING	SERIES	MATERIAL NUMBER		CUSTOMER		SHEET NUMBER
						C-SIZE	171565	SEE P/N TABLE		CISCO		3 OF 5



PORT SIZE	DIM 'E'	DIM 'F'	DIM 'G'
2X1	19.5	19.85	24.50
2X2	38.5	38.85	43.50
2X3	57.5	57.85	62.50



- NOTES:
1. THE ENTIRE AREA UNDER THE CONNECTOR IS A KEEP OUT ZONE FOR COMPONENTS AND TRACES, TOP LAYER ONLY, EXCEPT FOR CHASSIS GROUND.
 2. CROSS-HATCHED AREAS INDICATE PLACES WHERE THE PLASTIC HOUSING AND METAL CAGE MAY CONTACT PCB SURFACE. THESE AREAS ARE KEEP OUT ZONES. CROSS-HATCHED AREA UNDER THE CONNECTOR ARE TRACE AND VIA KEEP OUT AREAS FOR THE TOP LAYER.
 3. THESE RECTANGULAR ZONES ARE FOR LED PLACEMENT. LED HEIGHT SHOULD NOT EXCEED 0.8 AND PLACEMENT SHOULD BE CENTERED WITHIN THIS LED KEEP-IN ZONE.
 4. RECOMMENDED LED CHIP PACKAGE SIZE IS 0805.

FUNCTIONAL SYMBOLS	THIS DRAWING CONTAINS INFORMATION THAT IS PROPRIETARY TO MOLEX ELECTRONIC TECHNOLOGIES, LLC AND SHOULD NOT BE USED WITHOUT WRITTEN PERMISSION														
	DIMENSION UNITS		SCALE		CURRENT REV DESC: SEE REVISION HISTORY										
	mm		1:1												
	GENERAL TOLERANCES (UNLESS SPECIFIED)										<p>EC NO: 728470</p> <p>DRWN: SYANG16 2022/11/14</p> <p>CHK'D: BARWANKAR 2022/11/15</p> <p>APPR: BARWANKAR 2022/11/15</p> <p>INITIAL REVISION:</p> <p>DRWN: JKACHLIC 2012/08/23</p> <p>APPR: MBANAKIS 2012/08/30</p>				
F/A = 0		MM		INCH											
F/C = 0		4 PLACES ±		±											
F/P = 0		3 PLACES ±		±											
DIVISIONAL SYMBOLS	2 PLACES ±		0.13		±										
	1 PLACE ±		0.25		±										
	0 PLACES ±		±		±										
	ANGULAR TOL		± 0.5 °												
DRAFT WHERE APPLICABLE MUST REMAIN WITHIN DIMENSIONS				THIRD ANGLE PROJECTION		DRAWING		SERIES		MATERIAL NUMBER		CUSTOMER		SHEET NUMBER	
						C-SIZE		171565		SEE P/N TABLE		CISCO		4 OF 5	
DOCUMENT NUMBER										DOC TYPE		DOC PART		REVISION	
1715657000										PSD		ASY		A	

H
G
F
E
D
C
B
A

REVISION HISTORY		
DATE	REV.	DESCRIPTION
2022/11/14	A	REMASTER RSD-171565-7000_REV2 FROM OLD SOFTWARE TO NEW SOFTWARE. SHEET 1: CHANGED DATE CODE FORMAT TO LDDDYX-C CORRECTED TYPO FOR FINISH INFORMATION OF SPRING FINGER UPDATE NOTE4 FOR PK SPEC ADDED NEW SHEET 2 SHEET 2: SHOWN 2X1 AND 2X3 OPTION SHEET 4: UPDATED KEEP OUT ZONE AND VERBIAGE IN NOTE1&2 UPDATED PANEL OPENING INFORMATION SHEET 5: ADDED REVISION HISTORY.

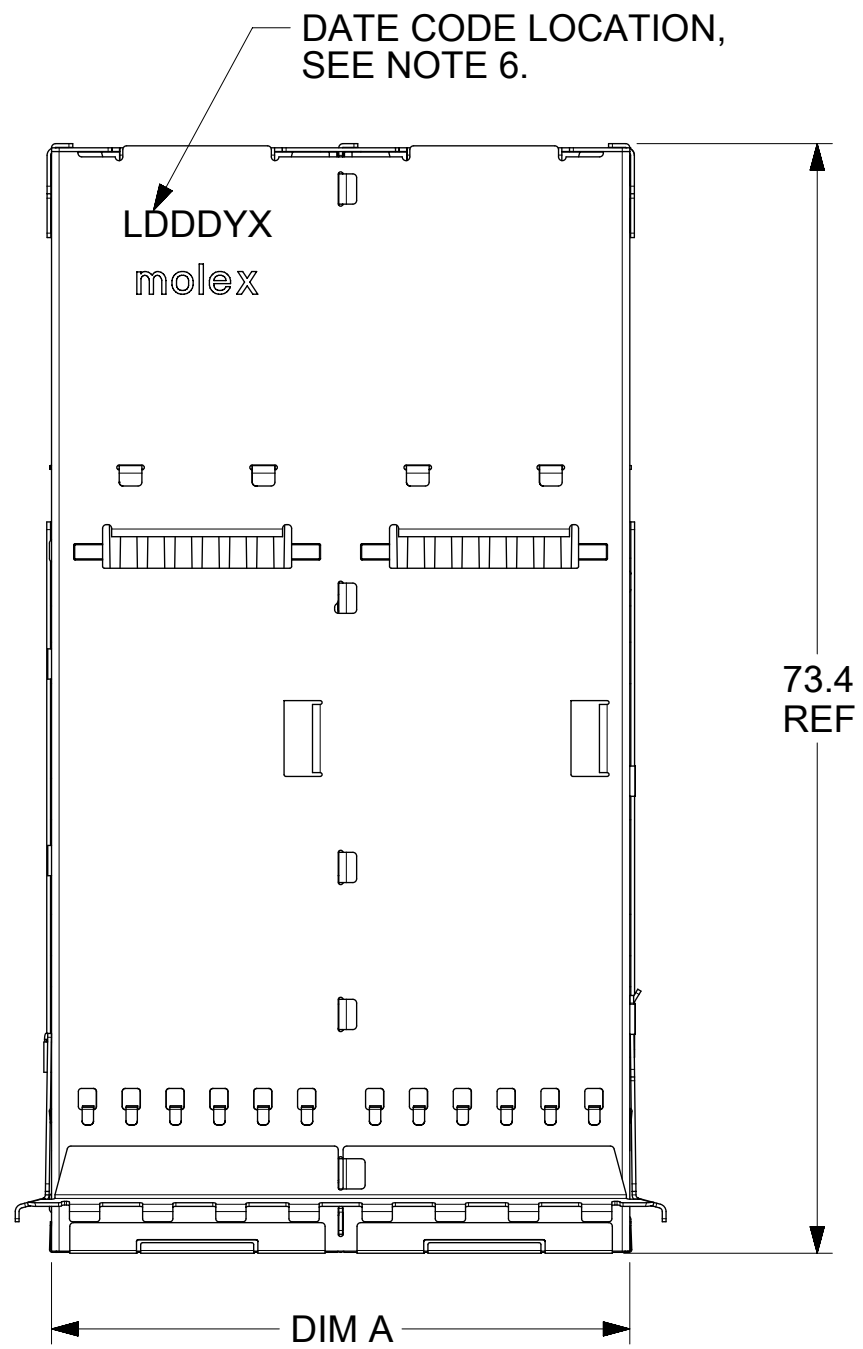
FUNCTIONAL SYMBOLS = 0 = 0 = 0 DIVISIONAL SYMBOLS 3 PLACES ± 2 PLACES ± 0.13 1 PLACE ± 0.25 0 PLACES ±	THIS DRAWING CONTAINS INFORMATION THAT IS PROPRIETARY TO MOLEX ELECTRONIC TECHNOLOGIES, LLC AND SHOULD NOT BE USED WITHOUT WRITTEN PERMISSION		DIMENSION UNITS: mm		SCALE: 1:1	CURRENT REV DESC: SEE REVISION HISTORY				
	GENERAL TOLERANCES (UNLESS SPECIFIED)		ANGULAR TOL ± 0.5°		EC NO: 728470		DRWN: SYANG16 2022/11/14 CHK'D: BARWANKAR 2022/11/15 APPR: BARWANKAR 2022/11/15			
	DRAFT WHERE APPLICABLE MUST REMAIN WITHIN DIMENSIONS		THIRD ANGLE PROJECTION		DRAWING: C-SIZE		SERIES: 171565		INITIAL REVISION: DRWN: SYANG16 2022/11/14 APPR: BARWANKAR 2022/11/15	
	DOCUMENT NUMBER: 1715657000		DOC TYPE: PSD		DOC PART: ASY		REVISION: A		PRODUCT CUSTOMER DRAWING	



ZQSFP+ STACKED ASSY
W/ELASTOMERIC GASKET

DOCUMENT NUMBER: 1715657000
DOC TYPE: PSD
DOC PART: ASY
REVISION: A

FORMS 11/2010 12/2010



PORT SIZE	PART NUMBER	DIM 'A'	DIM 'B'	DIM 'C'
2X1	171565-100*	19.5	24.1	19.00
2X2	171565-000*	38.5	43.1	38.00
2X3	171565-300*	57.5	62.1	57.00

* - DESIGNATES FRONT PLATE OPTIONS

NOTES:

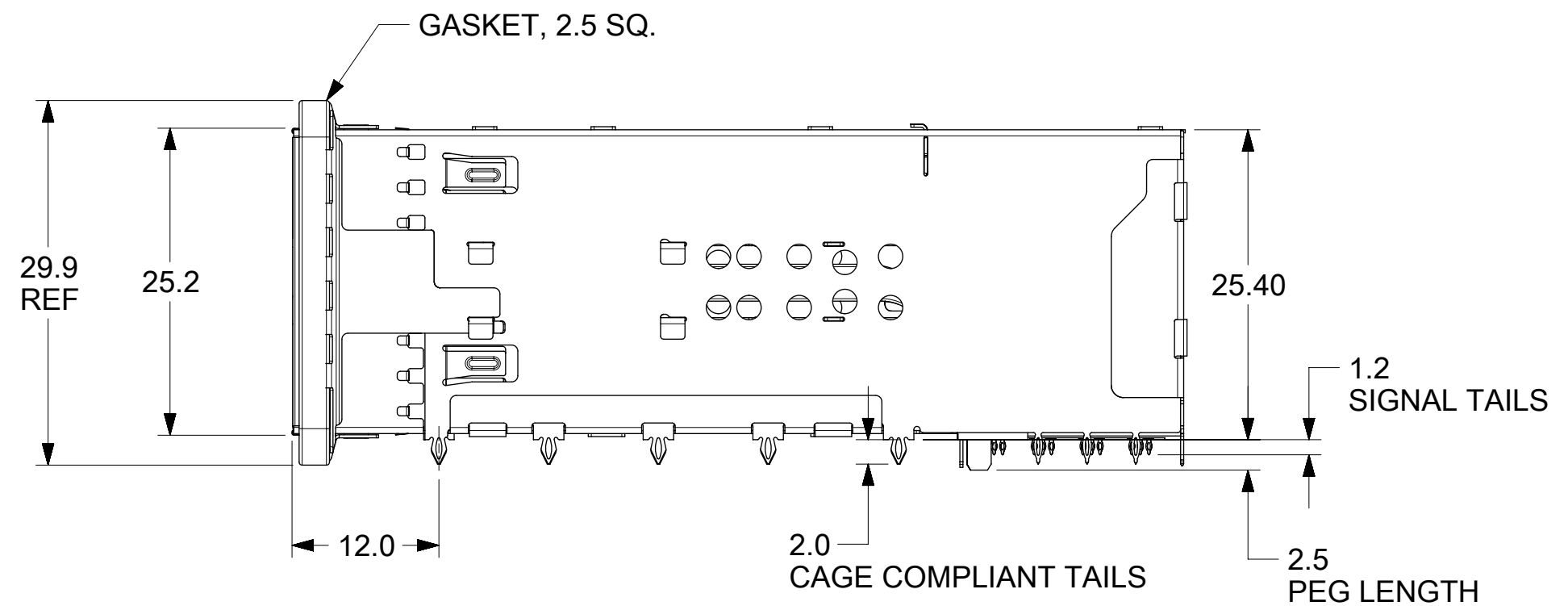
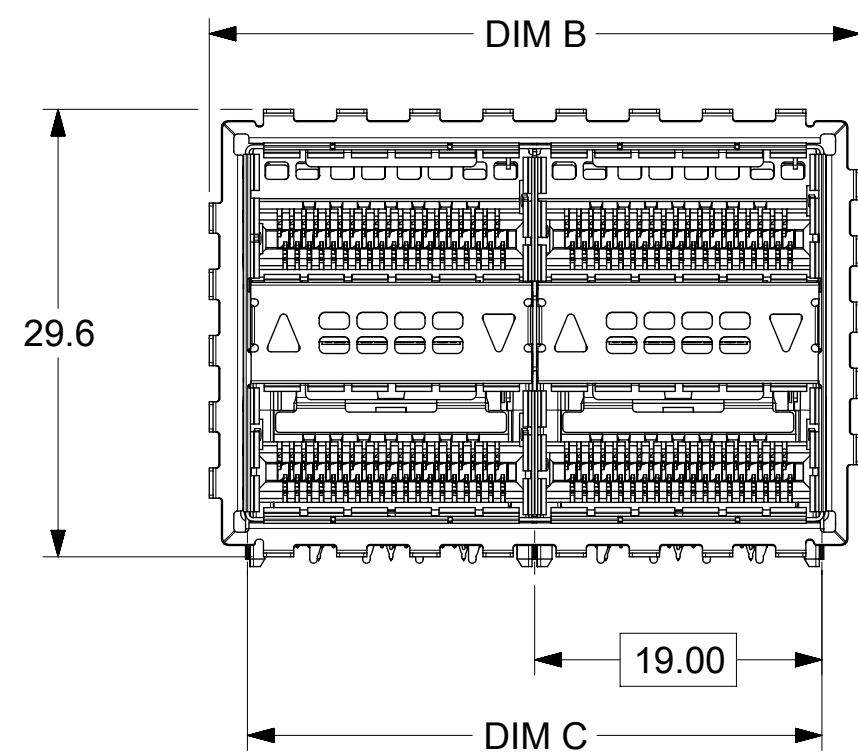
1. MATERIAL:

CAGE: NICKEL SILVER, 0.25 THICK
 EMI STRAPS: PHOS-BRONZE, 0.10 THICK
 GASKET: SILICONE
 LIGHT PIPES (OPTIONAL): POLYCARBONATE
 (PER TELCORDIA-GR-63-CORE-ISSUE3, SECTION 4.2.3.1; R4-43,
 DISCRETE STRUCTURAL COMPONENTS CONSTITUTING A FUEL
 LOAD OF 1 GRAM OR LESS ARE EXEMPT FROM THE REQUIREMENTS
 OF R4-43 (91); UL 94V-0 RATING)
 CONNECTOR HOUSING: HIGH PERFORMANCE THERMOPLASTIC, 94V-0
 TERMINALS: HIGH PERFORMANCE COPPER ALLOY, 0.18 THICK

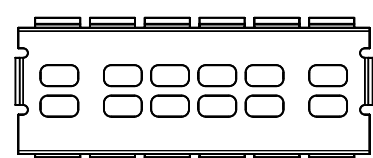
2. FINISH:

SPRING FINGERS: 0.5µm NICKEL OVERALL
 GASKET: SILVER
 TERMINALS: CONTACT AREA: 0.76µm MIN GOLD OVER 2.5µm MIN NICKEL.
 COMPLIANT AREA: 0.76-1.52µm MATTE TIN OVER 1.27µm MIN NICKEL.

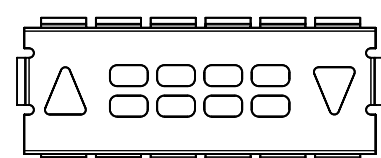
- 3. ALL SURFACES TO BE CLASS 'C' OR BETTER PER MOLEX COSMETIC SPECIFICATION PS-45499-002.**
4. REFER TO PK-171565-0001 FOR PACKAGING SPECIFICATIONS.
5. CONNECTOR INTENDED TO MATE WITH PLUG CABLE SERIES 74757 AND 74758.
6. DATE CODE LOCATION SHOWN, DATE CODE FORMAT: LDDDYX
 L: MOLEX INTERNAL CONTROL
 DDD: DAY OF THE YEAR
 Y: LAST DIGIT OF YEAR
 X: MOLEX INTERNAL CONTROL



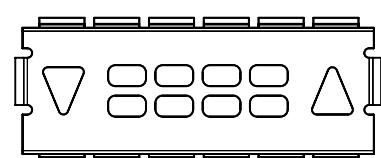
171565-0002 SHOWN FOR REFERENCE
 APPEARANCE MAY VARY BY SIZE



P/N 171565-*001
 AIRFLOW ONLY
 NO LIGHTPIPE



P/N 171565-*002
 UP / DOWN LIGHTPIPE
 INDICATOR



P/N 171565-*003
 DOWN / UP LIGHTPIPE
 INDICATOR

THIS DRAWING CONTAINS INFORMATION THAT IS PROPRIETARY TO MOLEX ELECTRONIC TECHNOLOGIES, LLC AND SHOULD NOT BE USED WITHOUT WRITTEN PERMISSION									
DIMENSION UNITS		SCALE		CURRENT REV DESC: SEE REVISION HISTORY					
mm		2:1							
GENERAL TOLERANCES (UNLESS SPECIFIED)				EC NO: 617910					
		MM	INCH	DRWN: CWANG67		2019/05/21			
4 PLACES		±	±	CHK'D: CWANG67		2019/05/24			
3 PLACES		±	±	APPR: RNELSON		2019/05/28			
2 PLACES		± 0.13	±	INITIAL REVISION:					
1 PLACE		± 0.25	±	DRWN: JKACHLIC		2012/08/23			
0 PLACES		±	±	APPR: MBANAKIS		2012/08/30			
ANGULAR TOL		± 0.5 °		THIRD ANGLE PROJECTION		DRAWING		SERIES	
DRAFT WHERE APPLICABLE MUST REMAIN WITHIN DIMENSIONS				C-SIZE		171565		MATERIAL NUMBER	
								CUSTOMER	
								SHEET NUMBER	
								1 OF 4	

molex

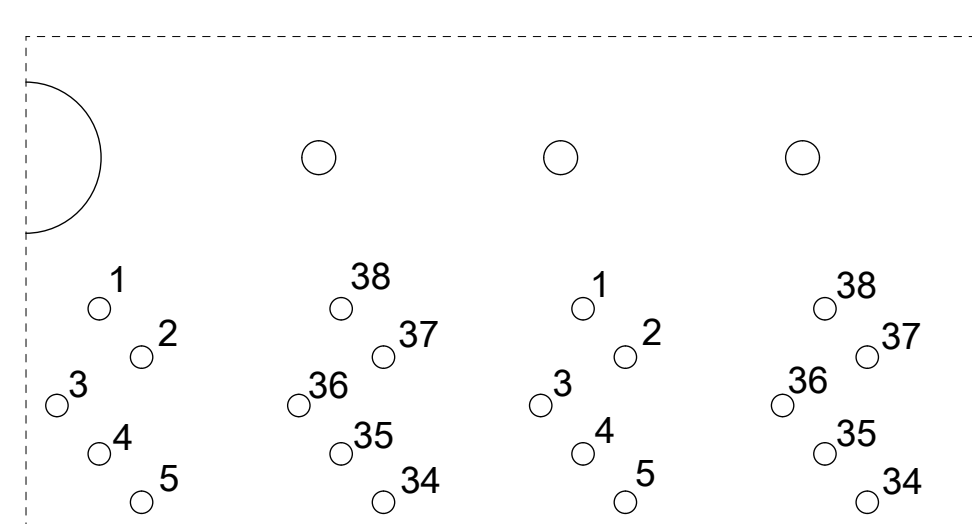
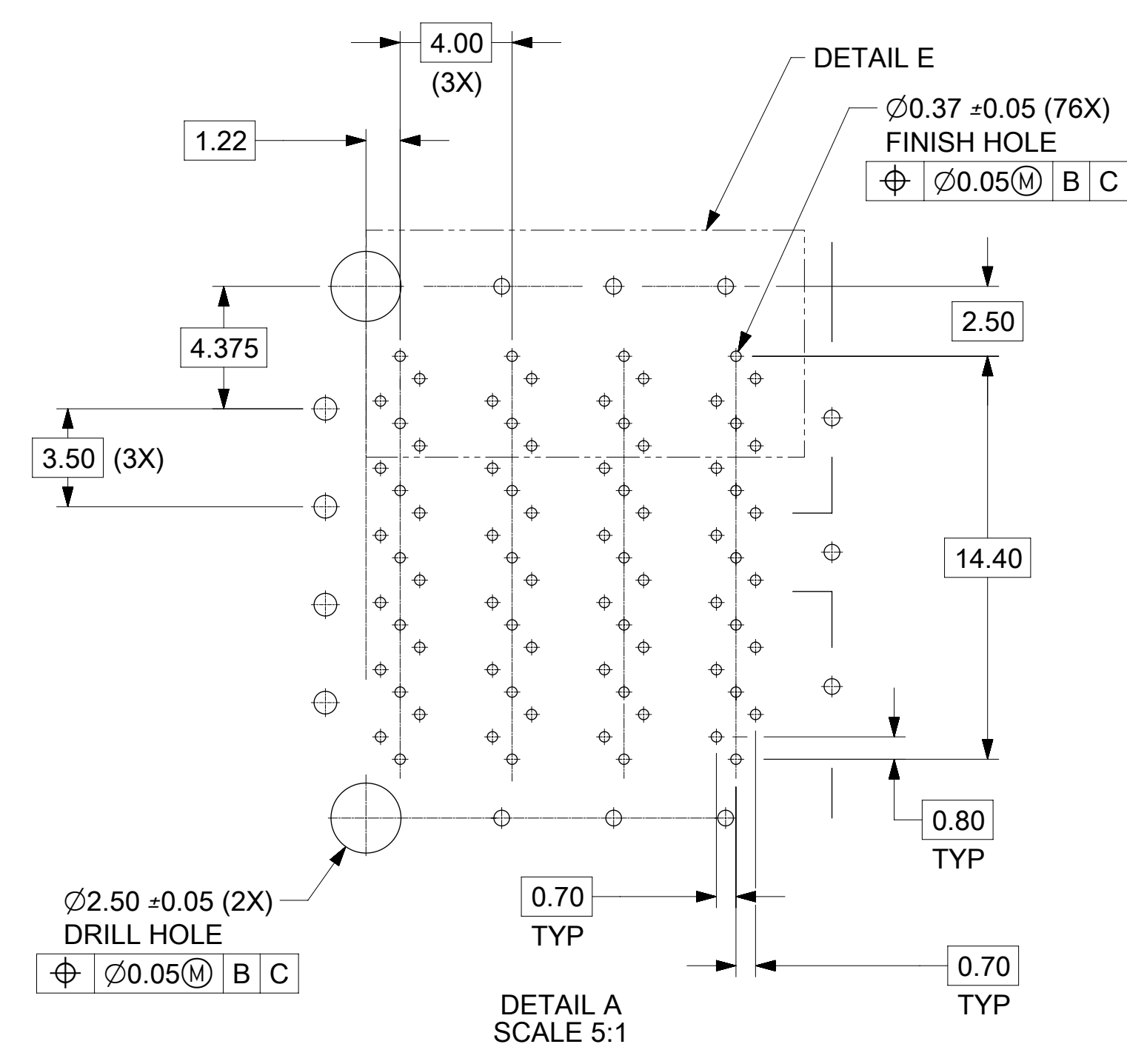
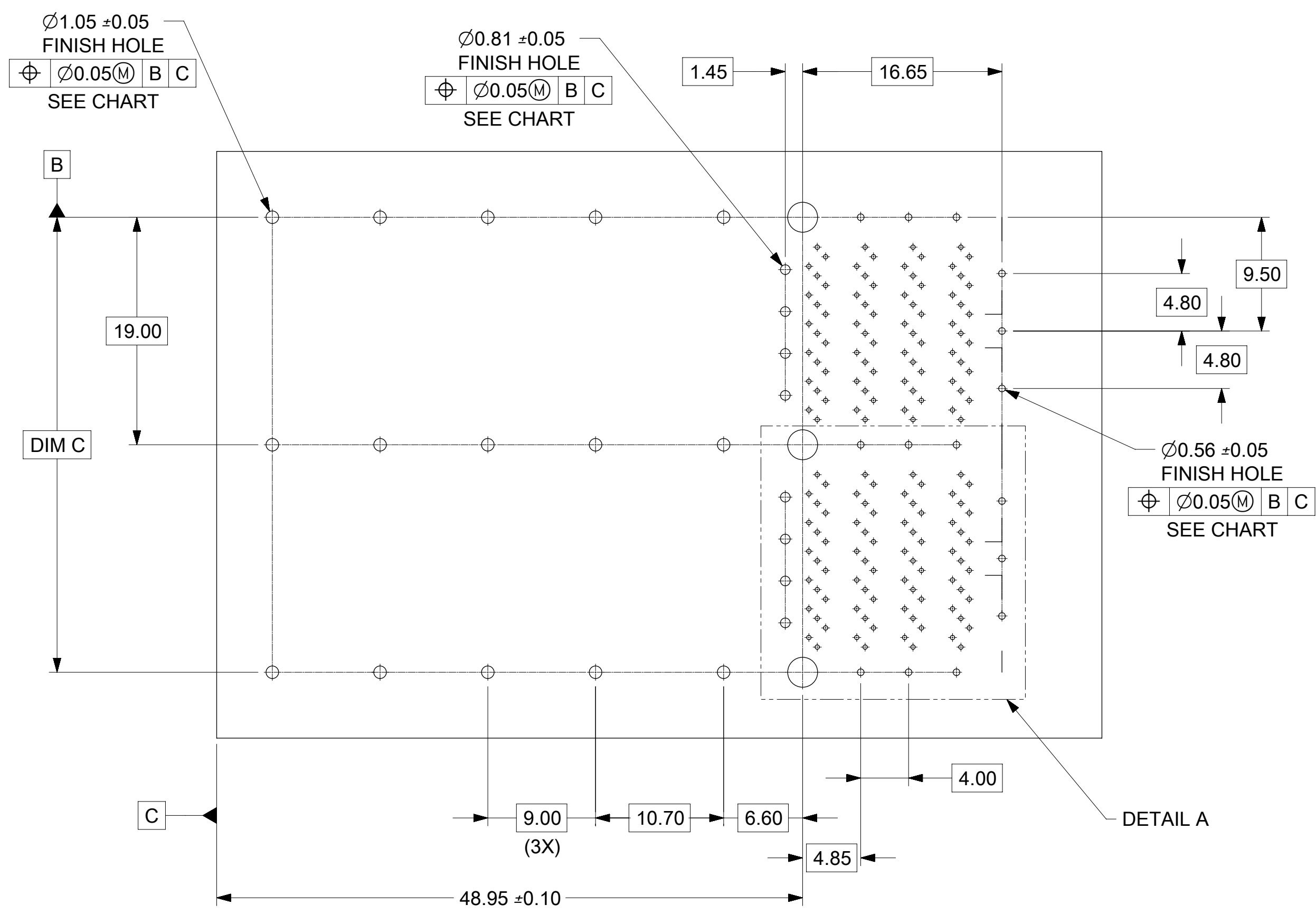
ZQSFP+ STACKED ASSY
 W/ELASTOMERIC GASKET

PRODUCT CUSTOMER DRAWING

DOCUMENT NUMBER	DOC TYPE	DOC PART	REVISION
SD-171565-2000	PSD	001	A2

MATERIAL NUMBER	CUSTOMER	SHEET NUMBER
SEE CHART	GENERAL MARKET	1 OF 4

DOCUMENT STATUS	P1	RELEASE DATE	2019/05/28 04:38:04
-----------------	----	--------------	---------------------



LOWER PORT
UPPER PORT
DETAIL E
SCALE 8:1
PIN ASSIGNMENTS

PORT SIZE	DIM C	Ø1.05 PTH QUANTITY	Ø0.56 PTH QUANTITY	Ø0.81 PTH QUANTITY
2X1	19.00	10	9	4
2X2	38.00	15	15	8
2X3	57.00	20	21	12

THIS DRAWING CONTAINS INFORMATION THAT IS PROPRIETARY TO MOLEX ELECTRONIC TECHNOLOGIES, LLC AND SHOULD NOT BE USED WITHOUT WRITTEN PERMISSION

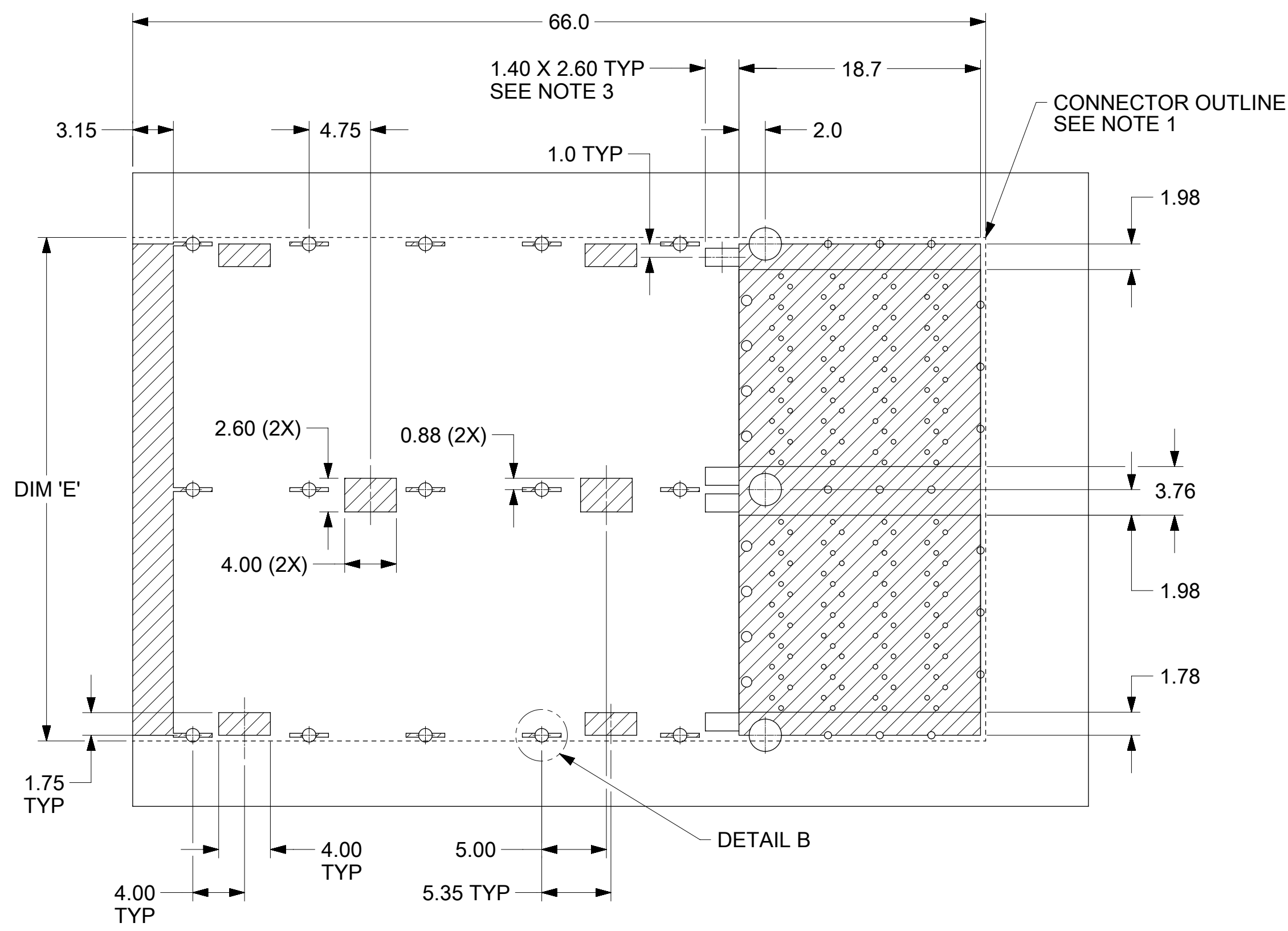
DIMENSION UNITS mm	SCALE 3:1	CURRENT REV DESC: SEE REVISION HISTORY	
GENERAL TOLERANCES (UNLESS SPECIFIED)		EC NO: 617910	
4 PLACES	±	DRWN: CWANG67	2019/05/21
3 PLACES	±	CHK'D: CWANG67	2019/05/24
2 PLACES	± 0.13	APPR: RNELSON	2019/05/28
1 PLACE	± 0.25	INITIAL REVISION:	
0 PLACES	±	DRWN: JKACHLIC	2012/08/23
ANGULAR TOL	± 0.5°	APPR: MBANAKIS	2012/08/30
DRAFT WHERE APPLICABLE MUST REMAIN WITHIN DIMENSIONS	THIRD ANGLE PROJECTION	DRAWING C-SIZE	SERIES 171565

ZQSFP+ STACKED ASSY
W/ELASTOMERIC GASKET

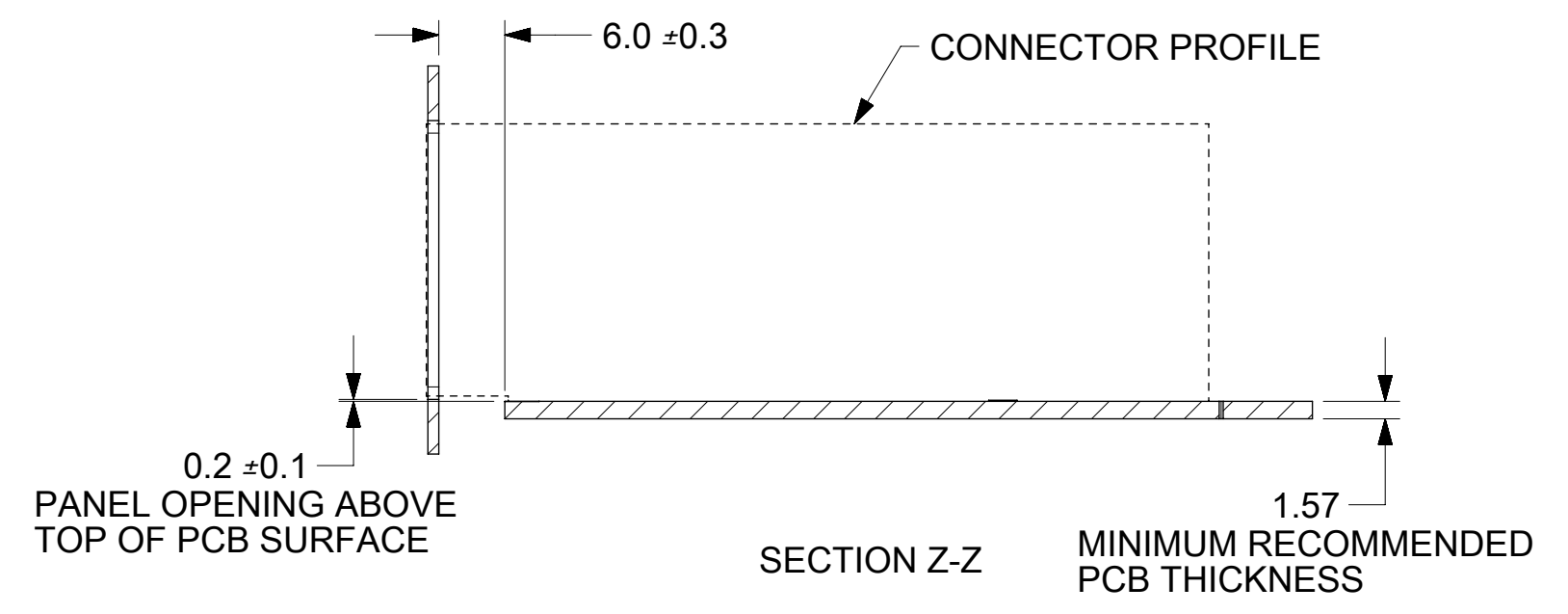
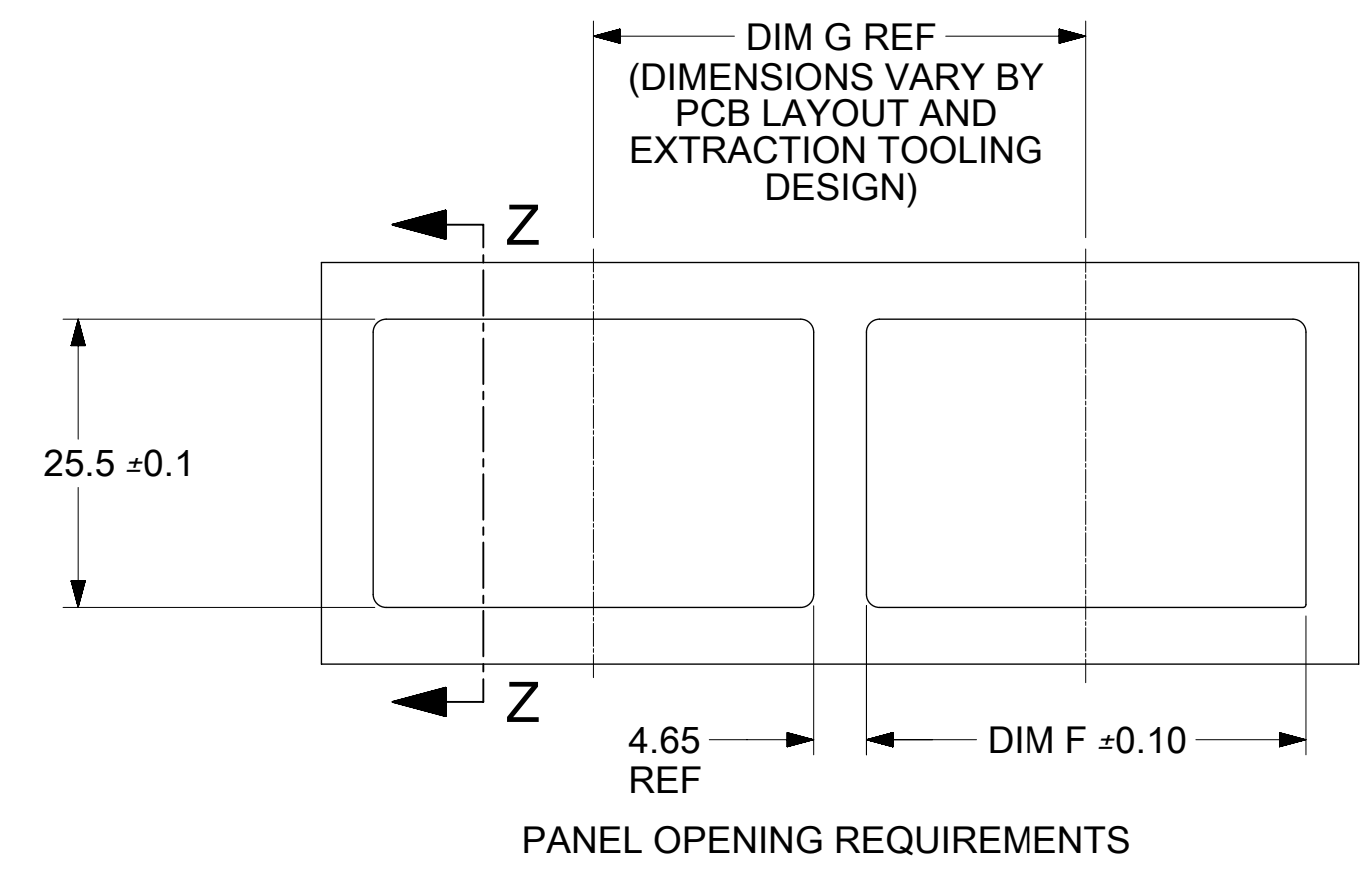
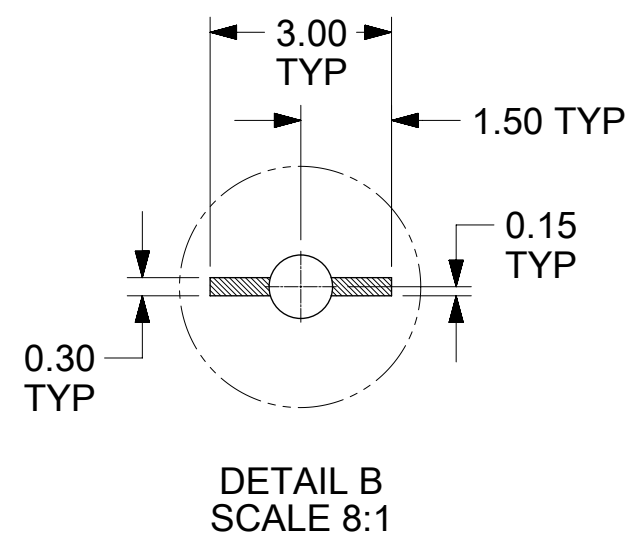
PRODUCT CUSTOMER DRAWING

DOCUMENT NUMBER	DOC TYPE	DOC PART	REVISION
SD-171565-2000	PSD	001	A2

MATERIAL NUMBER	CUSTOMER	SHEET NUMBER
SEE CHART	GENERAL MARKET	2 OF 4



PORT SIZE	DIM 'E'	DIM 'F'	DIM 'G'
2X1	19.5	19.85	24.50
2X2	38.5	38.85	43.50
2X3	57.5	57.85	62.50



- NOTES:
1. THE ENTIRE AREA UNDER THE CONNECTOR IS A KEEP OUT ZONE FOR COMPONENTS AND TRACES, TOP LAYER ONLY, EXCEPT FOR CHASSIS GROUND.
 2. CROSS-HATCHED AREAS INDICATE PLACES WHERE THE PLASTIC HOUSING AND METAL CAGE MAY CONTACT PCB SURFACE. THESE AREAS ARE KEEP OUT ZONES. CROSS-HATCHED AREA UNDER THE CONNECTOR ARE TRACE AND VIA KEEP OUT AREAS FOR THE TOP LAYER.
 3. THESE RECTANGULAR ZONES ARE FOR LED PLACEMENT. LED HEIGHT SHOULD NOT EXCEED 0.8 AND PLACEMENT SHOULD BE CENTERED WITHIN THIS LED KEEP-IN ZONE.
 4. RECOMMENDED LED CHIP PACKAGE SIZE IS 0805.

THIS DRAWING CONTAINS INFORMATION THAT IS PROPRIETARY TO MOLEX ELECTRONIC TECHNOLOGIES, LLC AND SHOULD NOT BE USED WITHOUT WRITTEN PERMISSION

DIMENSION UNITS mm		SCALE 1:1		CURRENT REV DESC: SEE REVISION HISTORY						
GENERAL TOLERANCES (UNLESS SPECIFIED)				EC NO: 617910						ZQSFP+ STACKED ASSY W/ELASTOMERIC GASKET
4 PLACES	±	MM	±	DRWN: CWANG67	2019/05/21	PRODUCT CUSTOMER DRAWING				
3 PLACES	±	INCH	±	CHK'D: CWANG67	2019/05/24	DOCUMENT NUMBER				
2 PLACES	± 0.13			APPR: RNELSON	2019/05/28	DOC TYPE DOC PART REVISION				
1 PLACE	± 0.25			INITIAL REVISION:		SD-171565-2000				
0 PLACES	±			DRWN: JKACHLIC	2012/08/23	PSD	001	A2		
ANGULAR TOL ± 0.5 °				APPR: MBANAKIS	2012/08/30	MATERIAL NUMBER		CUSTOMER		SHEET NUMBER
DRAFT WHERE APPLICABLE MUST REMAIN WITHIN DIMENSIONS		THIRD ANGLE PROJECTION		DRAWING	SERIES	SEE CHART	GENERAL MARKET		3 OF 4	

REVISION HISTORY		
DATE	REV.	DESCRIPTION
2019/05/23	A2	1.ADDED REVISION HISTORY TABLE. 2.UPDATE NOTE4 FOR PK SPEC. 3.CHG DATE CODE FORMAT TO LDDDYX.
		4.UPDATE KEEP OUT ZONE AND VERBIAGE IN NOTE1&2, SHEET3. 5.UPDATE PANEL OPENING INFORMATION IN SHEET3.

THIS DRAWING CONTAINS INFORMATION THAT IS PROPRIETARY TO MOLEX ELECTRONIC TECHNOLOGIES, LLC AND SHOULD NOT BE USED WITHOUT WRITTEN PERMISSION

DIMENSION UNITS mm	SCALE 1:1	CURRENT REV DESC: SEE REVISION HISTORY	molex			
GENERAL TOLERANCES (UNLESS SPECIFIED)						
ANGULAR TOL ± 0.5°		EC NO: 617910	PRODUCT CUSTOMER DRAWING			
4 PLACES ±		DRWN: CWANG67 2019/05/21	DOCUMENT NUMBER			
3 PLACES ±		CHK'D: CWANG67 2019/05/24	SD-171565-2000			
2 PLACES ± 0.13		APPR: RNELSON 2019/05/28	DOC TYPE	DOC PART	REVISION	
1 PLACE ± 0.25		INITIAL REVISION:	PSD	001	A2	
0 PLACES ±		DRWN: JKACHLIC 2012/08/23	SHEET NUMBER			
		APPR: MBANAKIS 2012/08/30	4 OF 4			
DRAFT WHERE APPLICABLE MUST REMAIN WITHIN DIMENSIONS	THIRD ANGLE PROJECTION	DRAWING	SERIES	MATERIAL NUMBER	CUSTOMER	
		C-SIZE	171565		GENERAL MARKET	

DOCUMENT STATUS	P1	RELEASE DATE	2019/05/28 04:38:04
-----------------	----	--------------	---------------------