

Würth Elektronik eiSos GmbH &amp; Co. KG

EMC &amp; Inductive Solutions

Max-Eyth-Straße 1 · 74638 Waldenburg · Germany

Tel. +49 (0) 79 42 945-0 · Fax +49 (0) 79 42 945-400

eiSos@we-online.de · www.we-online.de



## Product / Process Change Notification (PCN)

- Major change  
 Minor change

**PCN #:** PCN\_WL-SMSW\_3014\_20220226

**Affected Series:** 155301xx73100

**PCN Date:** November 26, 2021

**Effective Date:** February 26, 2022

### Change Category:

- Equipment / Location  
 General Data  
 Material  
 Process  
 Product Design  
 Shipping / Packaging  
 Supplier  
 Software

**Contact:** Product Management

**Phone:** +49 (0) 7942 - 945 5001

**Fax:** +49 (0) 7942 - 945 5179

**E-Mail:** pcn.eisos@we-online.com

### Data Sheet Change:

Yes  No

### Attachment:

Yes  No

### DESCRIPTION AND PURPOSE OF CHANGE:

To ensure an improved product assembly, Würth Elektronik enhances the lead frame for the series WL-SMSW 3014. Because of material shortage, we also apply the silicon from new supplier for this series

All products with date code 2022-01-01 or later, will be affected by this change.

There will be no change in function, quality or reliability of the product. Our FMDs will be updated.

Würth Elektronik eiSos GmbH & Co. KG

EMC & Inductive Solutions

Max-Eyth-Straße 1 · 74638 Waldenburg · Germany

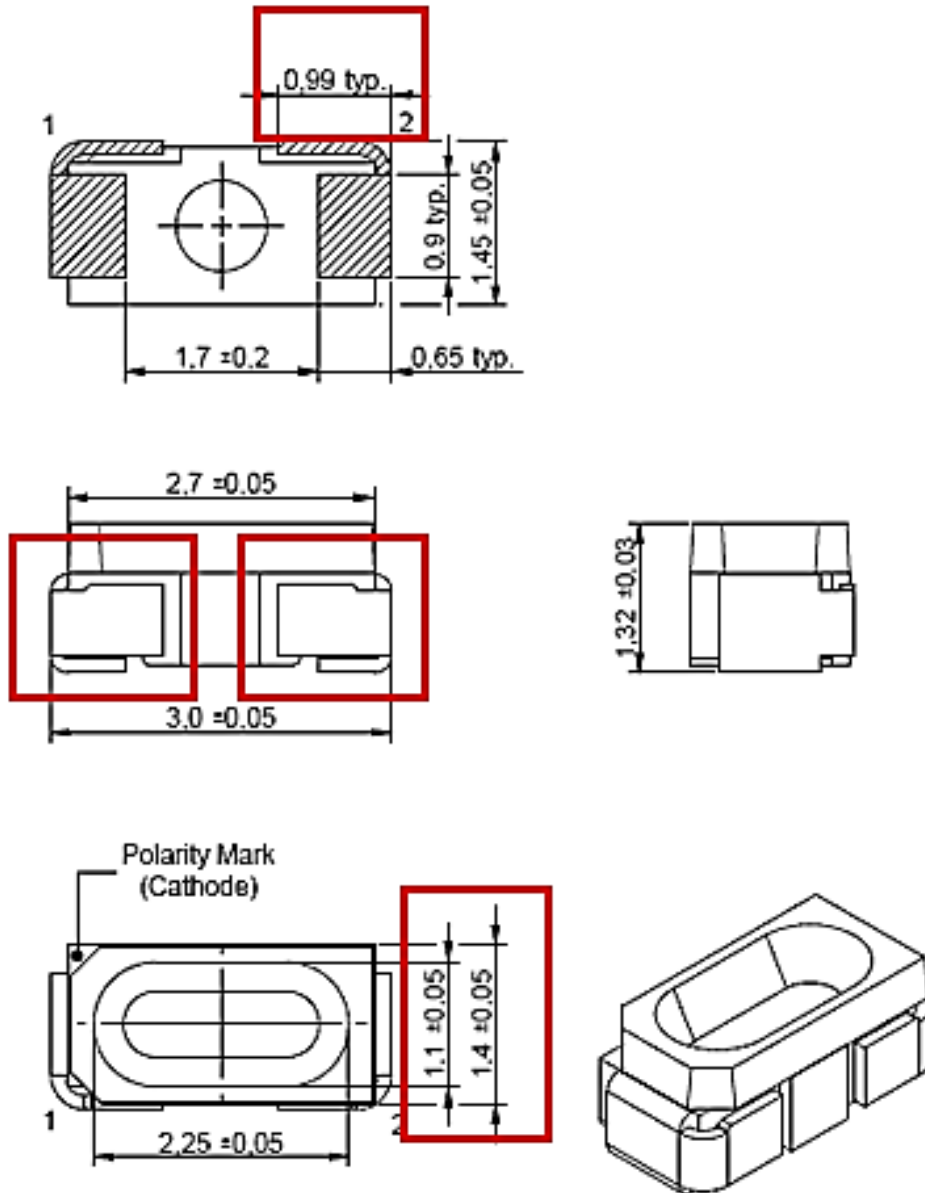
Tel. +49(0)79 42 945-0 · Fax +49(0)79 42 945-400

eiSos@we-online.de · www.we-online.de



**DETAIL OF CHANGE:**

Product dimensions before change



Scale - 12:1

Würth Elektronik eiSos GmbH &amp; Co. KG

EMC &amp; Inductive Solutions

Max-Eyth-Straße 1 · 74638 Waldenburg · Germany

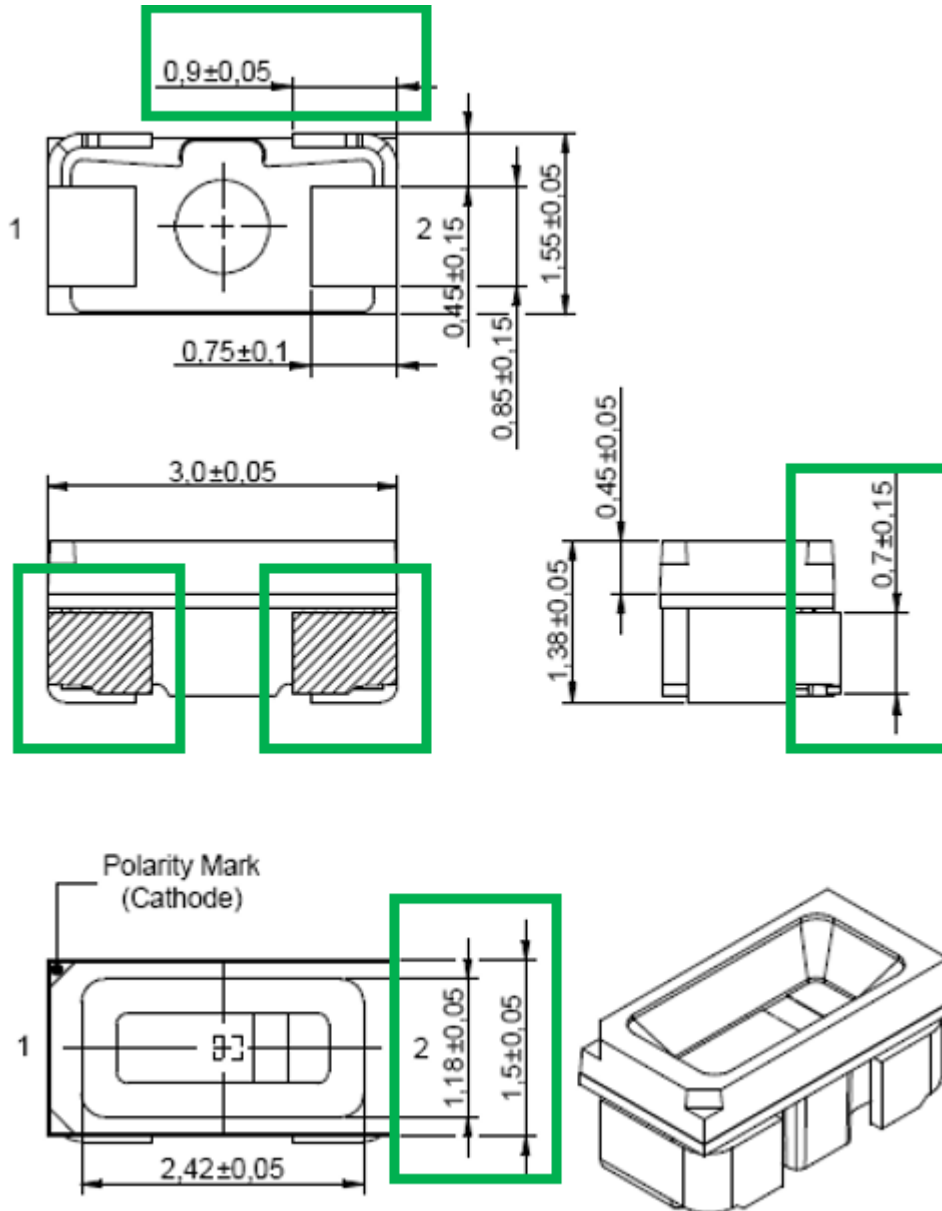
Tel. +49(0)79 42 945-0 · Fax +49(0)79 42 945-400

eiSos@we-online.de · www.we-online.de



## Product dimensions after change

The marked soldering areas are corrected on the side view of the LED instead of bottom view. The main changed values of the new design are marked green. The other dimension values are also varied according to this change



Scale - 12:1

Würth Elektronik eiSos GmbH & Co. KG

EMC & Inductive Solutions

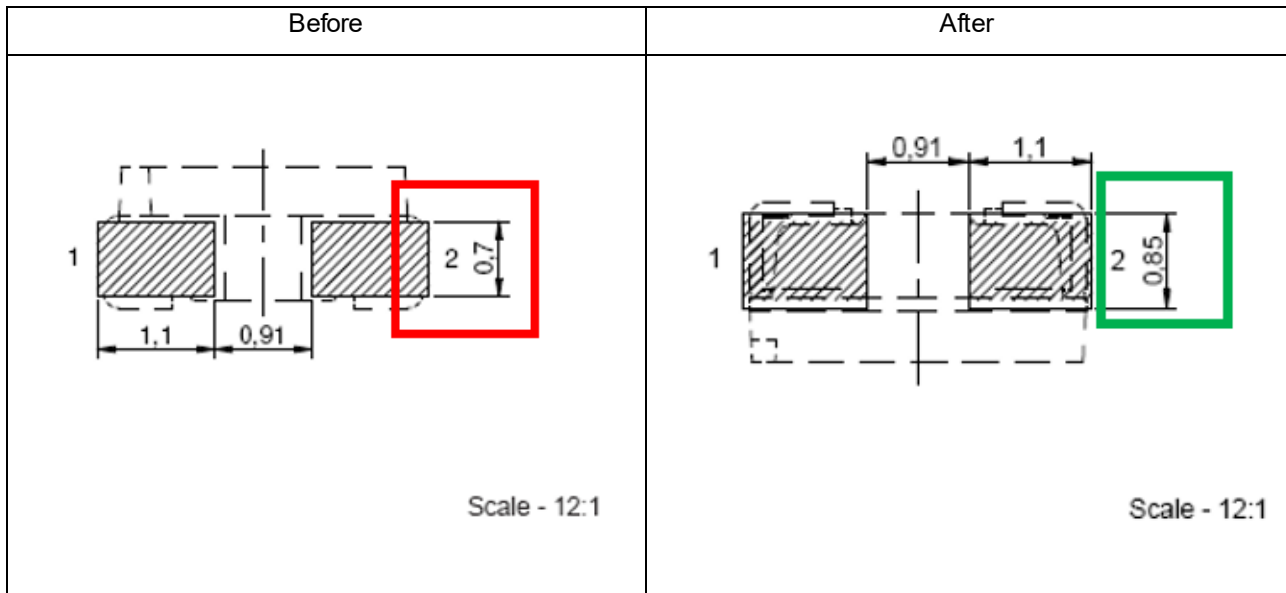
Max-Eyth-Straße 1 · 74638 Waldenburg · Germany

Tel. +49(0)79 42 945-0 · Fax +49(0)79 42 945-400

eiSos@we-online.de · www.we-online.de

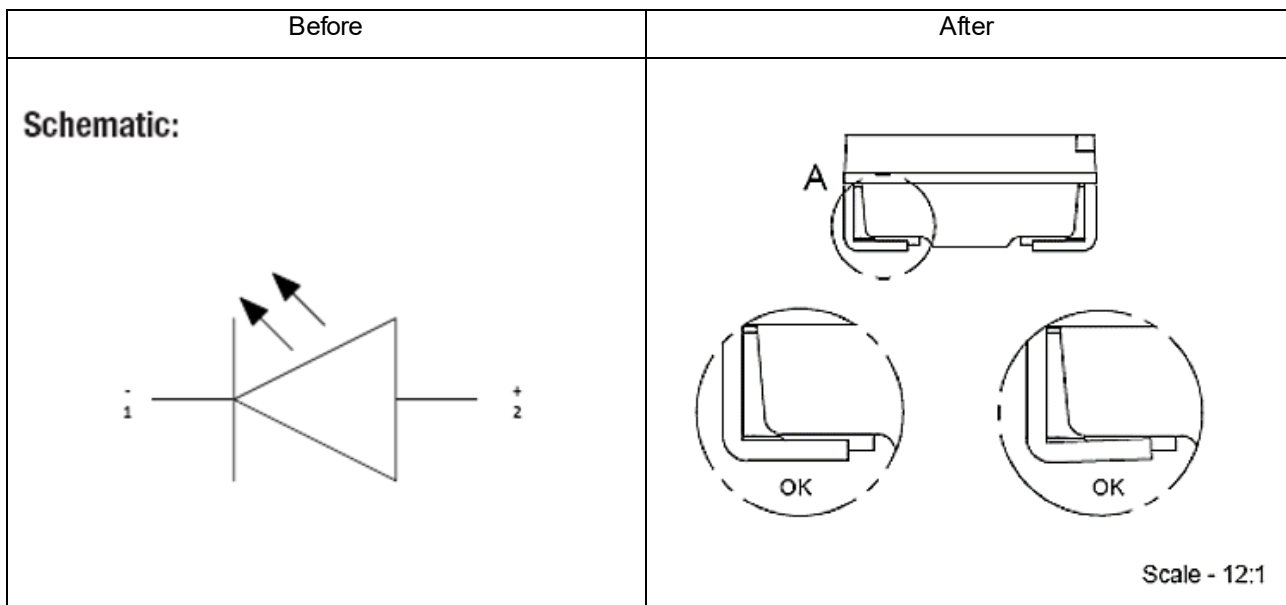


Recommended land pattern



The updated contact pads are still passed on the old recommended land pattern design

Instead of showing the schematic of LED, the detail A of lead frame is revised



Würth Elektronik eiSos GmbH & Co. KG

EMC & Inductive Solutions

Max-Eyth-Straße 1 · 74638 Waldenburg · Germany

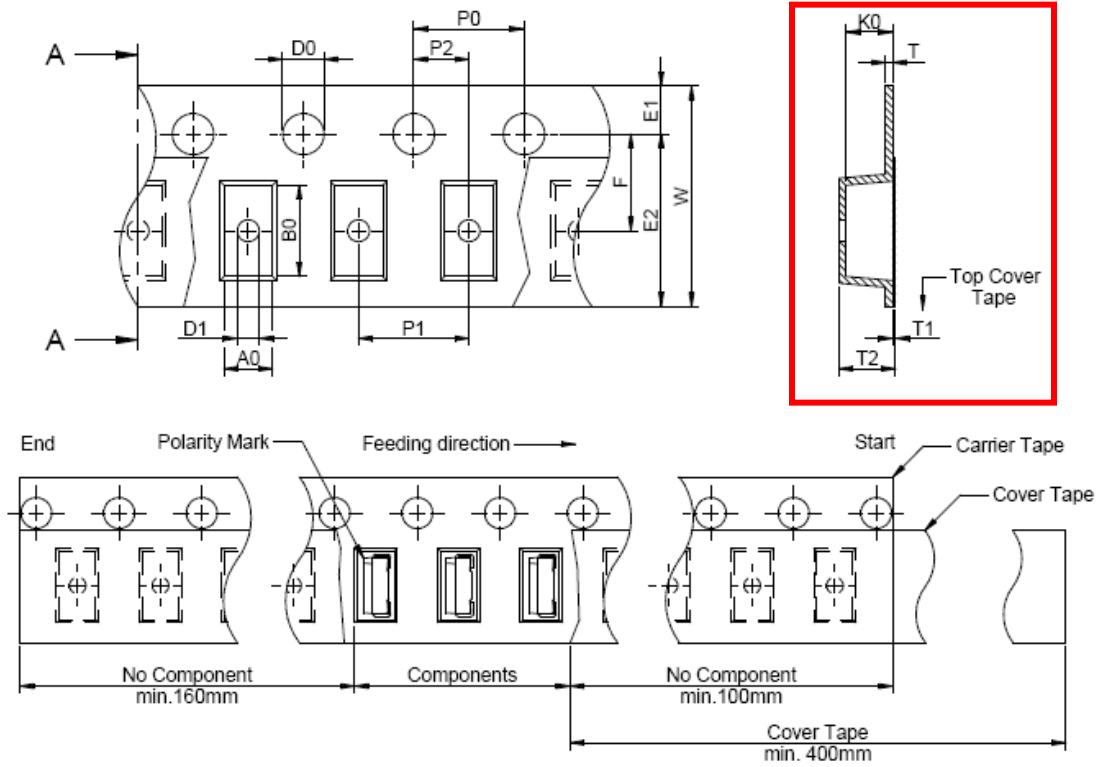
Tel. +49(0)79 42 945-0 · Fax +49(0)79 42 945-400

eiSos@we-online.de · www.we-online.de

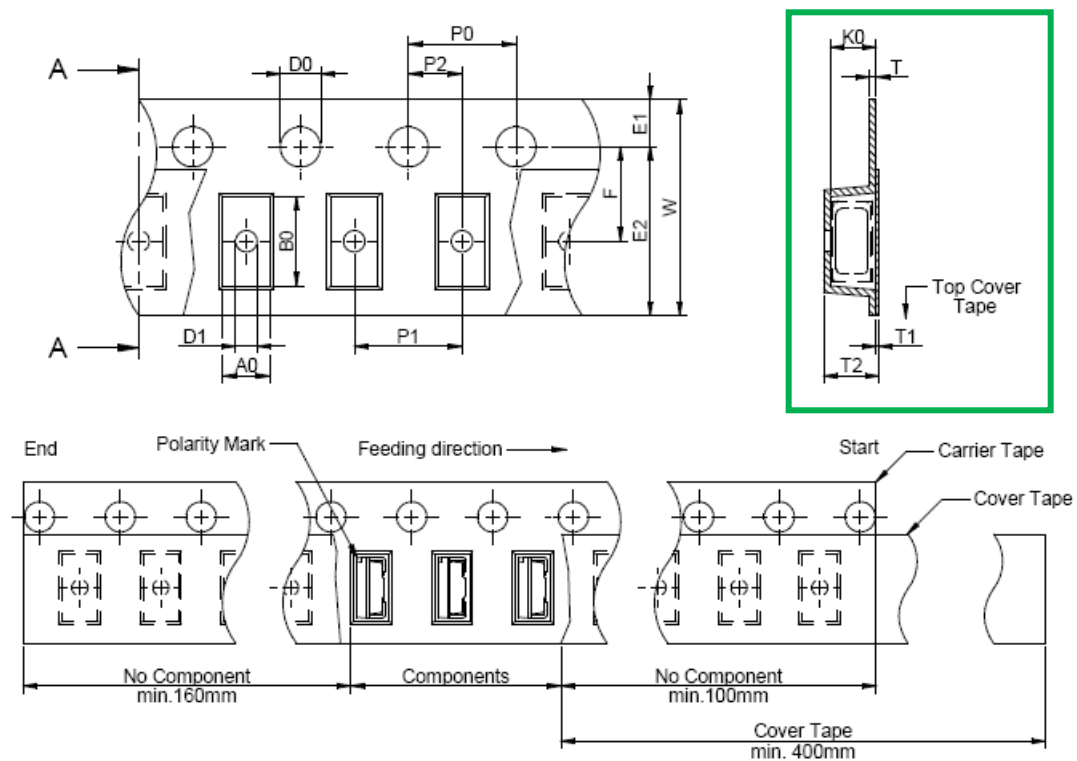


Packaging drawing

Before



After



Würth Elektronik eiSos GmbH & Co. KG

EMC & Inductive Solutions

Max-Eyth-Straße 1 · 74638 Waldenburg · Germany

Tel. +49 (0) 79 42 945-0 · Fax +49 (0) 79 42 945-400

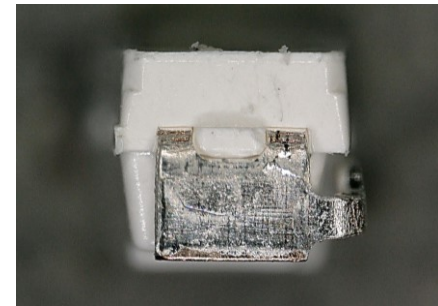
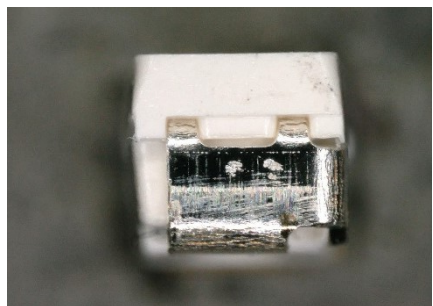
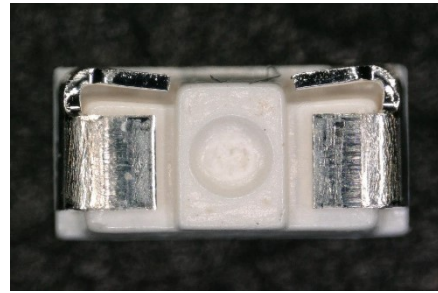
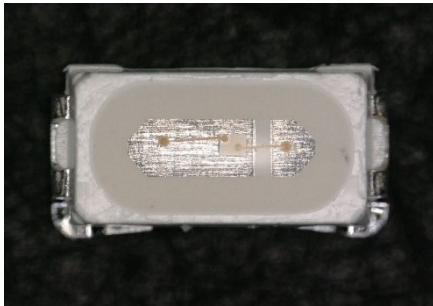
eiSos@we-online.de · www.we-online.de



Product review

Before

After





Würth Elektronik eiSos GmbH &amp; Co. KG

EMC &amp; Inductive Solutions

Max-Eyth-Straße 1 · 74638 Waldenburg · Germany

Tel. +49 (0) 79 42 945-0 · Fax +49 (0) 79 42 945-400

eiSos@we-online.de · www.we-online.de

**RELIABILITY / QUALIFICATION SUMMARY:**

Product approval is according to the specification and is internally released by the Product Management Department.

No.	Test	Qty	Reference	Test conditions
1	Reflow test	30	Internal Reflow Profile according to J-STD-020C	Unsoldered WE Reflow Profile: (at least 3 times must be passed) Peak: TP +5°C Conditions: Preheat: 150-200°C (max 120s) Liquidus temperature: 217°C (max 60s) Peak Temperature: 250°C (10s +/-2s)
2	Thermal Shock	30	MIL-STD-202 Method 107	Temperature: -40°C/+125°C or individual specified operating temperature Dwell time: 30 minutes. Cycles: 40 Transfer time: max. 20s.
3	Vibration	30	MIL-STD-202 Method 204	20g's for 20 minutes, 12 cycles each of 3 orientations. Note: Use 100mm x 160mm x 1,5mm PCB-Board. Test from 25-2000 Hz.