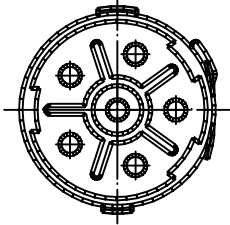
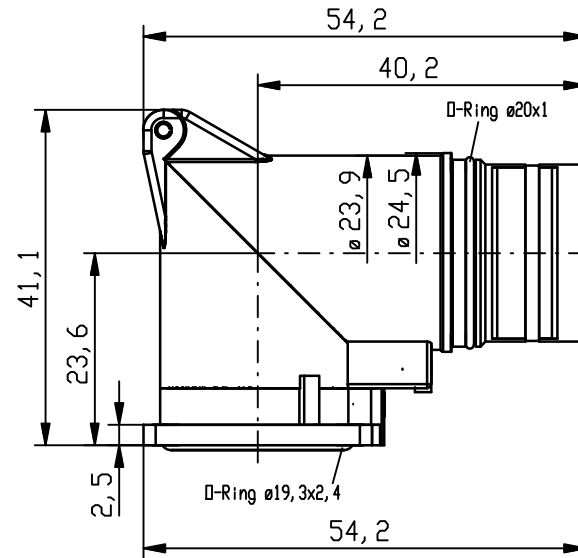
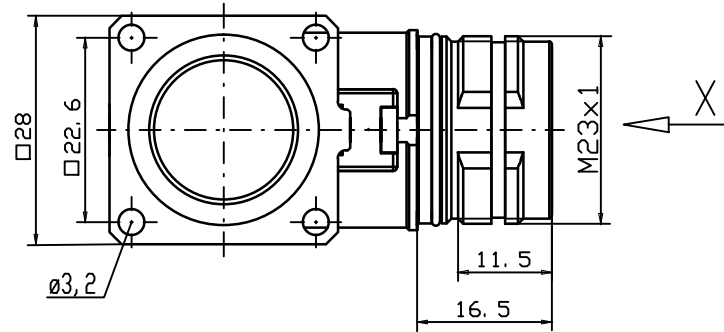
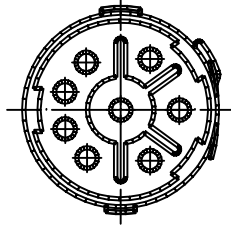


Views from "X" rotated

6-Pole
(5+1)



8-Pole



	Cable Diameter	Crimp Contacts	Without Contacts
6 Pole (5+PE)		KRP6G07-1052	KRP6G07-0052
		1202340013	1202340014
	Crimp range*	0,75-2,5mm ²	
8 Pole (4+3+PE)		KRP8G07-1152	KRP8G07-0052
		1202340015	1202340016
	Crimp range*	0,25-1,0mm ² /0,75-2,5mm ²	

*Crimp range only applies to "Crimp Contacts" version

Notes:

Tolerances (unless specified): DIN ISO 2768 m

DESCRIPTION EC NO: IPG2015-0907 DRWN: BBR/RAUCH 2014/11/19 CHKD: ZISMAYIL 2014/11/19 APPR: CBURGER	QUALITY SYMBOLS	GENERAL TOLERANCES (UNLESS SPECIFIED)	DIMENSION STYLE	SCALE	DESIGN UNITS	THIRD ANGLE PROJECTION																		
	$\nabla = 0$ $\nabla = 0$	<table border="1"> <tr> <th></th> <th>mm</th> <th>INCH</th> </tr> <tr> <td>4 PLACES</td> <td>±---</td> <td>±---</td> </tr> <tr> <td>3 PLACES</td> <td>±---</td> <td>±---</td> </tr> <tr> <td>2 PLACES</td> <td>±0.05</td> <td>±---</td> </tr> <tr> <td>1 PLACE</td> <td>±0.1</td> <td>±---</td> </tr> <tr> <td>0 PLACE</td> <td>±---</td> <td>±---</td> </tr> </table>		mm	INCH	4 PLACES	±---	±---	3 PLACES	±---	±---	2 PLACES	±0.05	±---	1 PLACE	±0.1	±---	0 PLACE	±---	±---	MM	---	METRIC	
		mm	INCH																					
	4 PLACES	±---	±---																					
3 PLACES	±---	±---																						
2 PLACES	±0.05	±---																						
1 PLACE	±0.1	±---																						
0 PLACE	±---	±---																						
REV	DESCRIPTION	DRAWN BY: BB DATE: 2008/11/20 CHECKED BY: JKO DATE: 2008/12/09 APPROVED BY: --- DATE: --- MATERIAL NO. --- DOCUMENT NO. SD-120234-004	REC M23 XP MA RA FM 4 X Ø 3.2MM --- molex	SHEET NO.	1 OF 1																			
2		DRAFT WHERE APPLICABLE MUST REMAIN WITHIN DIMENSIONS SIZE A3 THIS DRAWING CONTAINS INFORMATION THAT IS PROPRIETARY TO MOLEX INCORPORATED AND SHOULD NOT BE USED WITHOUT WRITTEN PERMISSION																						