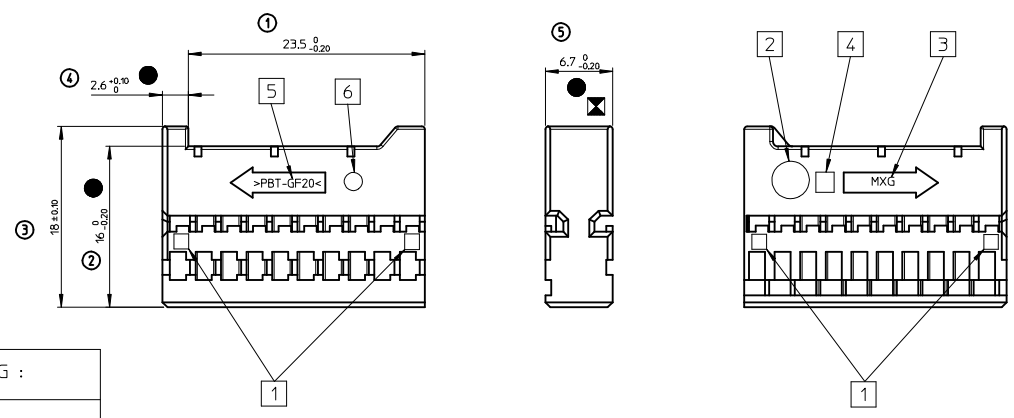
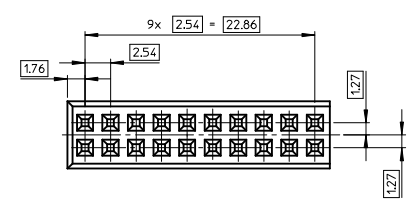


MOLEX P/N : 0989821016 DESCRIPTION : MOX Rcpt Module 0.635 Blu 20ckt COLOR : BLUE MOLEX P/N : 0989821010 DESCRIPTION : MOX Rcpt Module 0.635 Wht 20ckt COLOR : WHITE

MATERIAL : >PBT-GF20<

WEIGHT : 1.622 g



- FOR ILLUSTRATION PURPOSE, THE MOX RCPT MODULE SHOWN IS THE BLUE CODING P/N 0989821016. SEE CODING CHART FOR OTHER COLOR VERSION.

- PRODUCT QUALIFIED ACCORDING TO PSA STANDARD: 9629764699A.

- APPLICATION SPECIFICATION: RAS-98982-001

- INTERFACE DRAWING IS THE PROPERTY FROM PSA: 9633297199.

- USE WITH MOX TERMINAL FOLLOWING SD-98658-004.

- THESE MODULES FIT INTO MOX MOUNTING HOUSING RECEPTACLE 40CKT P/N :

- 0989821020
- 0989821021
- 0989821026
- 0989821028

MARKING :

1	- CAVITY NUMBER
2	- DATUM MONTH/YEAR
3	- MOLEX MARK
4	- IMPRESSION MARK
5	- RAW MATERIAL
6	- REVISION LEVEL

⊠	INDICATION DIMENSIONS S.P.C DENOTES S.P.C DIMENSIONS	
⊗	INDICATION DIMENSIONS CRITIQUES DENOTES CRITICAL DIMENSIONS	
●	INDICATION DIMENSIONS FONCTIONNELLES DENOTES FUNCTIONAL DIMENSIONS	
QUANTITE PAR FEUILLE INDIVIDUELLE QUANTITY PER INDIVIDUAL SHEET		
⊠ 1	⊗ 0	● 3

FIRST RELEASE EC NO: GZ008-0096 DRAWN: POUCHAUD 2007/10/15 CHKD: YIGEL 2007/10/15 APPR: LSTICKEIR 2007/10/15	QUALITY SYMBOLS ▽=0 ▽=0	GENERAL TOLERANCES (UNLESS SPECIFIED)		DIMENSION STYLE MM ONLY		SCALE 4:1	DESIGN UNITS METRIC	THIRD ANGLE PROJECTION		
		4 PLACES ± --- ± ---	3 PLACES ± --- ± ---	2 PLACES ± 0.05 ± ---	1 PLACE ± 0.10 ± ---	DRAWN BY POUCHAUD	DATE 2007/09/07	TITLE MOX RCPT MODULE 20CKT		
		ANGULAR ± 2 °				CHECKED BY YIGEL	DATE 2007/09/07	MOLEX INCORPORATED		
		DRAFT WHERE APPLICABLE MUST REMAIN WITHIN DIMENSIONS				APPROVED BY LSTICKEIR	DATE 2007/09/10	DOCUMENT NO. SD-98982-001	SHEET NO. 1 OF 1	

THIS DRAWING CONTAINS INFORMATION THAT IS PROPRIETARY TO MOLEX INCORPORATED AND SHOULD NOT BE USED WITHOUT WRITTEN PERMISSION