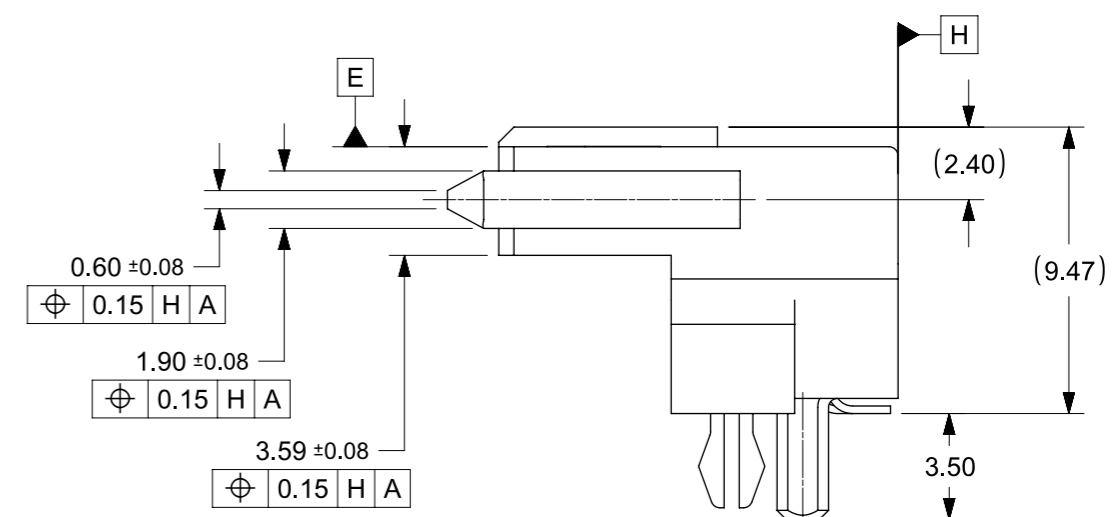
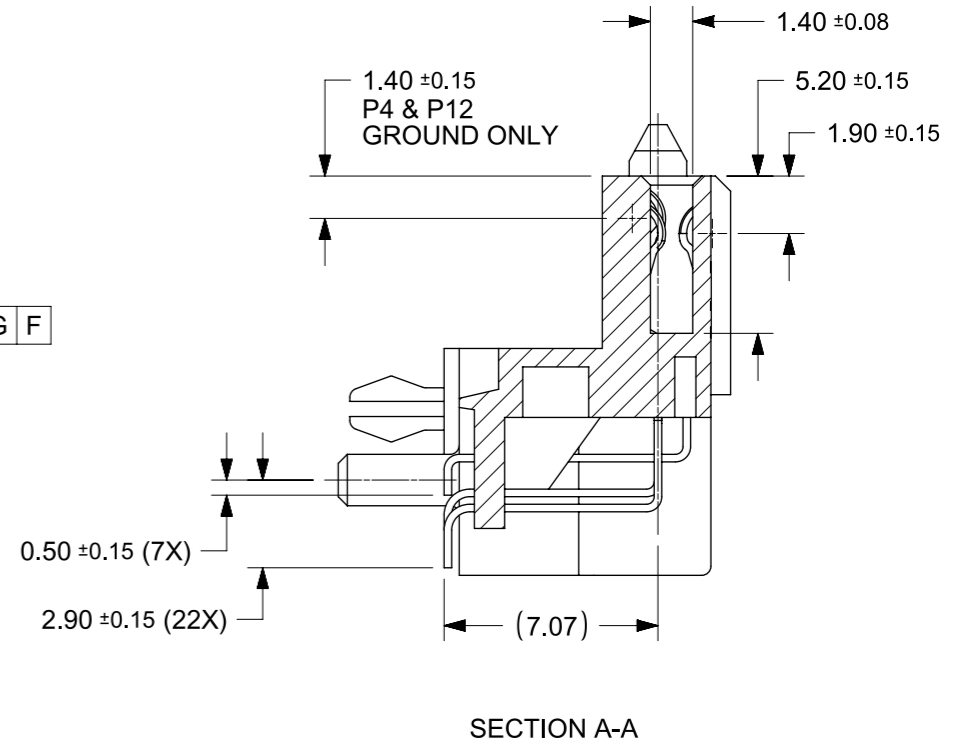
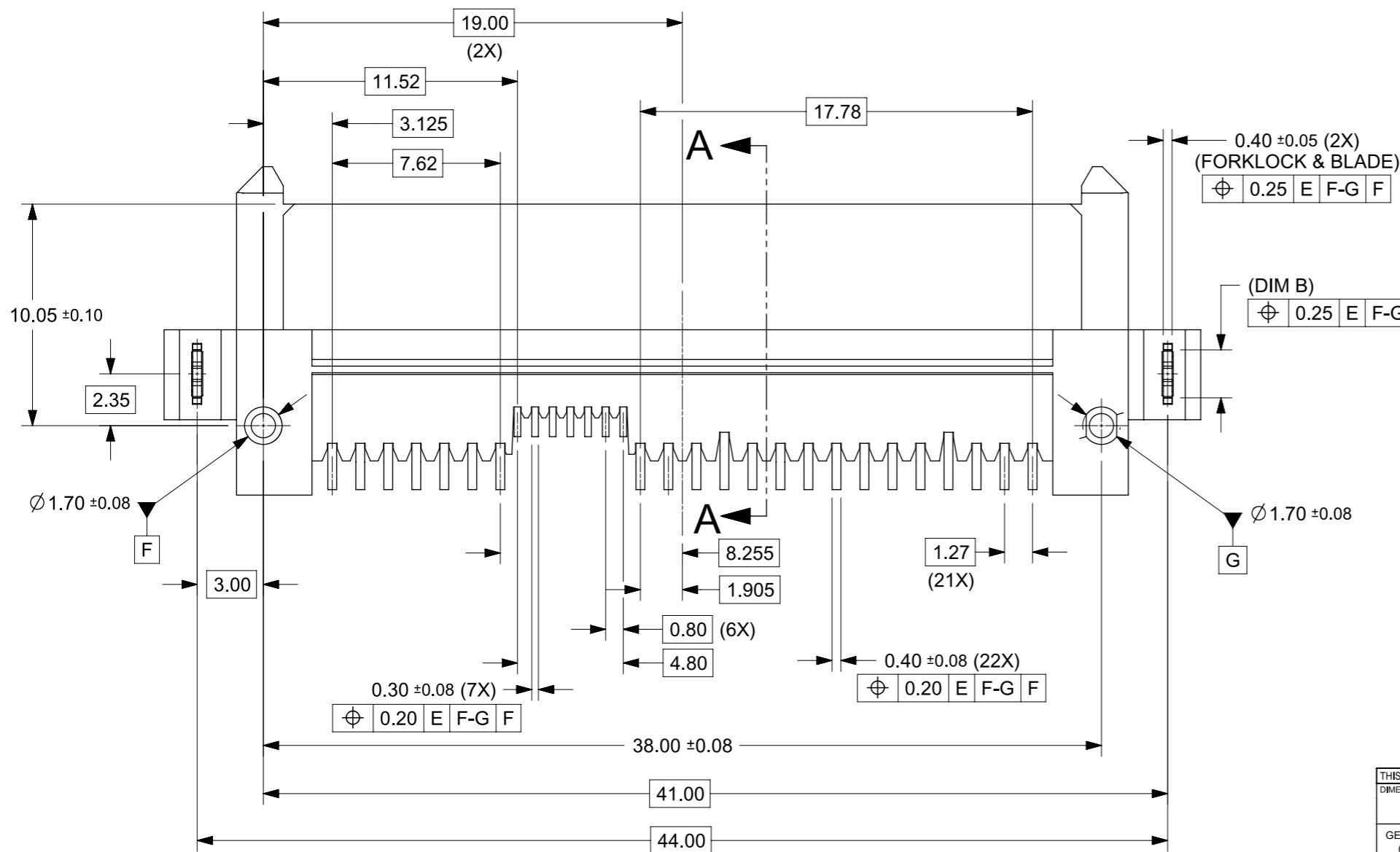
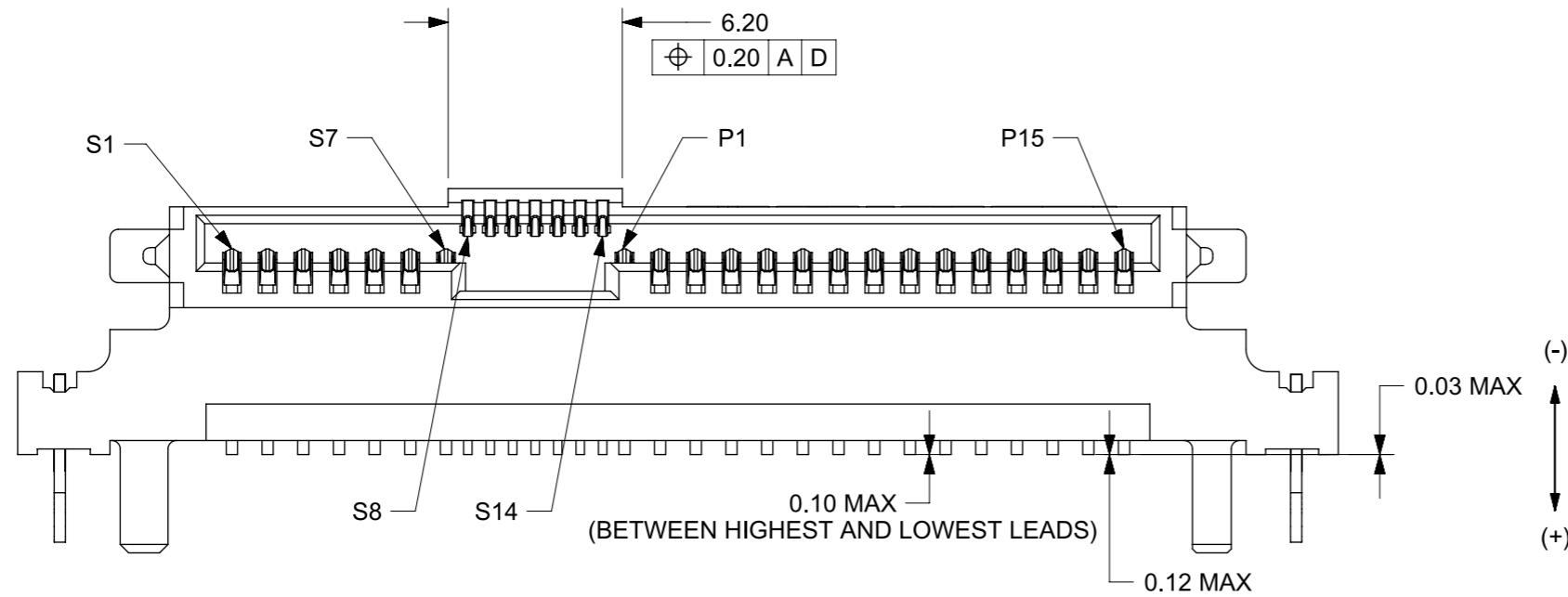


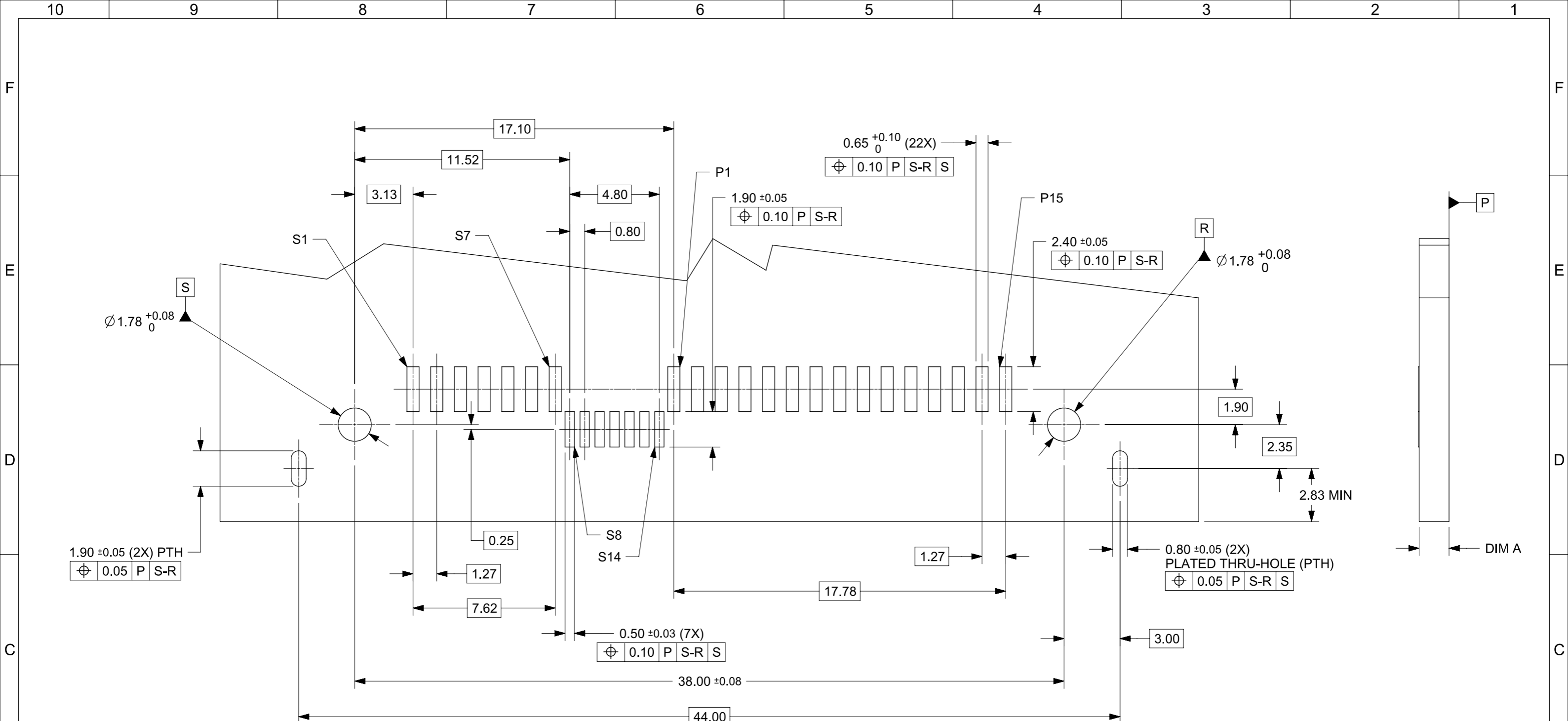
- NOTES:
- MATERIAL  
 HOUSING: NYLON 9T, GLASS FILLED, UL 94V-0, BLACK  
 CAP: LCP, GLASS FILLED, UL 94V-0, BLACK  
 TERMINAL: COPPER ALLOY  
 FORK LOCK/BLADE: COPPER ALLOY
  - PLATING:  
 TERMINAL:  
 CONTACT: 0.76µm MIN. SELECTIVE GOLD OVER 1.27µm MIN. NICKEL UNDERPLATE  
 SOLDER TAIL: 2.54µm MIN. TIN OVER 1.27µm MIN. NICKEL UNDERPLATE  
 FORK LOCK/BLADE:  
 2.54µm MIN. TIN OVER 1.27µm MIN. NICKEL UNDERPLATE
  - MOLEX LOGO AND DATE CODE LOCATED APPROXIMATELY AS SHOWN.
  - NON FUNCTIONAL CORE HOLE MAY VARY.
  - THIS PRODUCT IS COMPLIANT TO RoHS DIRECTIVE WITH THE FOLLOWING BANNED SUBSTANCES - LEAD, MERCURY, CADMIUM, HEXAVALENT CHROMIUM, POLYBROMINATED BIPHENYLS AND POLYBROMINATED DIPHENYL ETHERS.
  - PRODUCT SPECIFICATION PS-87945-034 APPLIES.
  - MATES WITH : SFF-8482 PLUG  
 SATA PLUG SERIES 87679, 87703 AND 87799
  - PACKAGING SPECIFICATION : TRAY : PK-87945-001  
 TAPE & REEL : PK-87945-002



THIS DRAWING CONTAINS INFORMATION THAT IS PROPRIETARY TO MOLEX ELECTRONIC TECHNOLOGIES, LLC AND SHOULD NOT BE USED WITHOUT WRITTEN PERMISSION		CURRENT REV DESC: ADD DATUM H		<b>molex</b>	
DIMENSION UNITS	SCALE				
mm	NTS			SERIAL ATTACH SCSI RECEPTACLE, RIGHT-ANGLE SMT, 7.07MM HEIGHT	
GENERAL TOLERANCES (UNLESS SPECIFIED)				PRODUCT CUSTOMER DRAWING	
ANGULAR TOL	± 3.0 °			DOCUMENT NUMBER	
4 PLACES	±	EC NO: 717471	2022/08/08	SD-87945-001	
3 PLACES	±	DRWN: SKANG	2022/08/11	PSD	001
2 PLACES	± 0.2	CHK'D: EKSOH	2022/08/12	C2	
1 PLACE	±	APPR: SHLENI		DOC TYPE	
0 PLACES	±	INITIAL REVISION:		DOC PART	
DRAFT WHERE APPLICABLE MUST REMAIN WITHIN DIMENSIONS		DRWN: KCHO	2005/02/28	REVISION	
THIRD ANGLE PROJECTION		APPR: SKTOH	2005/03/01		
DRAWING		SERIES		SHEET NUMBER	
A3-SIZE		87945		1 OF 6	
MATERIAL NUMBER		CUSTOMER			
		GENERAL MARKET			



THIS DRAWING CONTAINS INFORMATION THAT IS PROPRIETARY TO MOLEX ELECTRONIC TECHNOLOGIES, LLC AND SHOULD NOT BE USED WITHOUT WRITTEN PERMISSION		CURRENT REV DESC: ADD DATUM H		<b>molex</b>	
DIMENSION UNITS	SCALE				
mm	NTS			PRODUCT CUSTOMER DRAWING	
GENERAL TOLERANCES (UNLESS SPECIFIED)				DOCUMENT NUMBER	
ANGULAR TOL ± 3.0°				SD-87945-001	
4 PLACES ±		EC NO: 717471		DOC TYPE	
3 PLACES ±		DRWN: SKANG		PSD	
2 PLACES ±		CHK'D: EKSOH		DOC PART	
1 PLACE ±		APPR: SHLENI		001	
0 PLACES ±		INITIAL REVISION:		REVISION	
		DRWN: KCHO		C2	
		APPR: SKTOH			
DRAFT WHERE APPLICABLE MUST REMAIN WITHIN DIMENSIONS		THIRD ANGLE PROJECTION	DRAWING	SERIES	MATERIAL NUMBER
			A3-SIZE	87945	CUSTOMER
				GENERAL MARKET	
				SHEET NUMBER	
				2 OF 6	

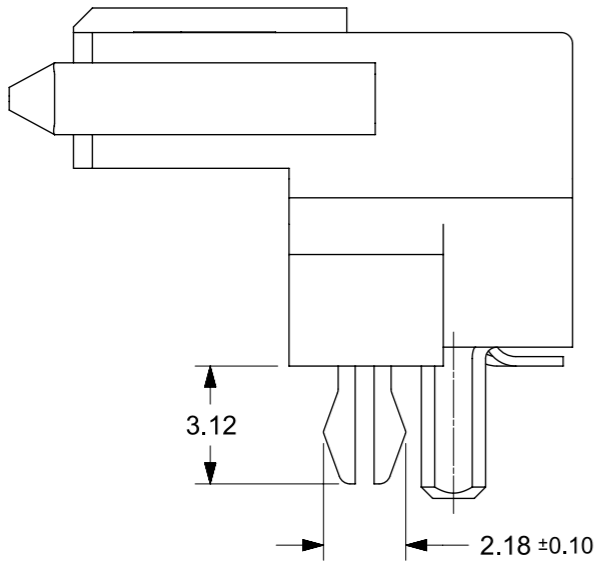


RECOMMENDED PCB LAYOUT

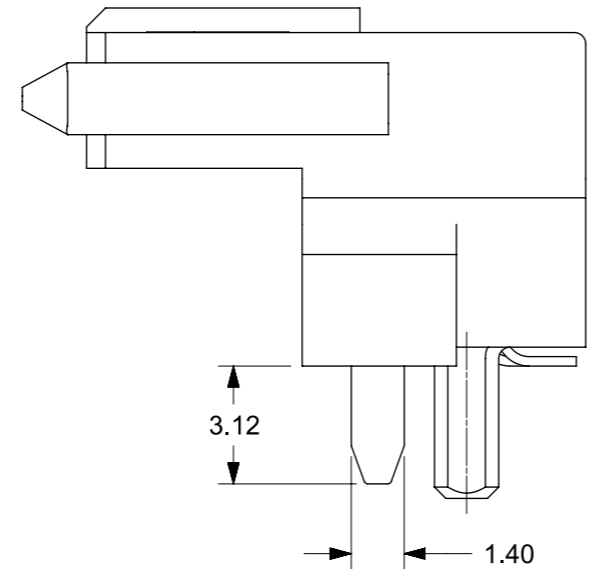
THIS DRAWING CONTAINS INFORMATION THAT IS PROPRIETARY TO MOLEX ELECTRONIC TECHNOLOGIES, LLC AND SHOULD NOT BE USED WITHOUT WRITTEN PERMISSION											
DIMENSION UNITS		SCALE		CURRENT REV DESC: ADD DATUM H							
mm		NTS									
GENERAL TOLERANCES (UNLESS SPECIFIED)											
ANGULAR TOL ± 3.0 °				<b>SERIAL ATTACH SCSI RECEPTACLE, RIGHT-ANGLE SMT, 7.07MM HEIGHT</b>							
4 PLACES ±											
3 PLACES ±				<b>PRODUCT CUSTOMER DRAWING</b>							
2 PLACES ± 0.2											
1 PLACE ±				EC NO: 717471 DRWN: SKANG 2022/08/08 CHK'D: EKSOH 2022/08/11 APPR: SHLENI 2022/08/12							
0 PLACES ±											
INITIAL REVISION:				DOCUMENT NUMBER		DOC TYPE		DOC PART		REVISION	
DRWN: KCHO 2005/02/28				SD-87945-001		PSD		001		C2	
APPR: SKTOH 2005/03/01				MATERIAL NUMBER		CUSTOMER		SHEET NUMBER			
DRAFT WHERE APPLICABLE MUST REMAIN WITHIN DIMENSIONS				THIRD ANGLE PROJECTION		DRAWING		SERIES		GENERAL MARKET	
						A3-SIZE		87945		3 OF 6	

DOCUMENT STATUS	P1	RELEASE DATE	2022/08/12	08:46:18
-----------------	----	--------------	------------	----------

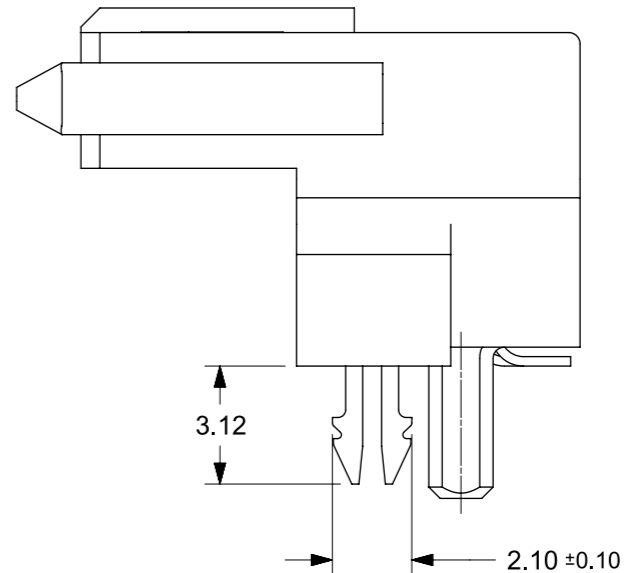
PART NUMBER WITHOUT CAP IN TRAY	PART NUMBER WITH CAP IN T&R	HOLD DOWN	DIM A (PCB THICKNESS)	DIM B
87945-0001	-	FORKLOCK	1.60±0.10	(2.18)
87945-0002	87945-0202	BLADE	-	(1.40)
87945-1001	87945-1201	FORKLOCK	1.834±0.183 TO 2.20±0.22 PCB FORKLOCK HOLE MUST BE PLATED THRU-HOLE (PTH) REGARDLESS WHETHER FORKLOCK IS SOLDERED OR NOT	(2.10)



87945-0001



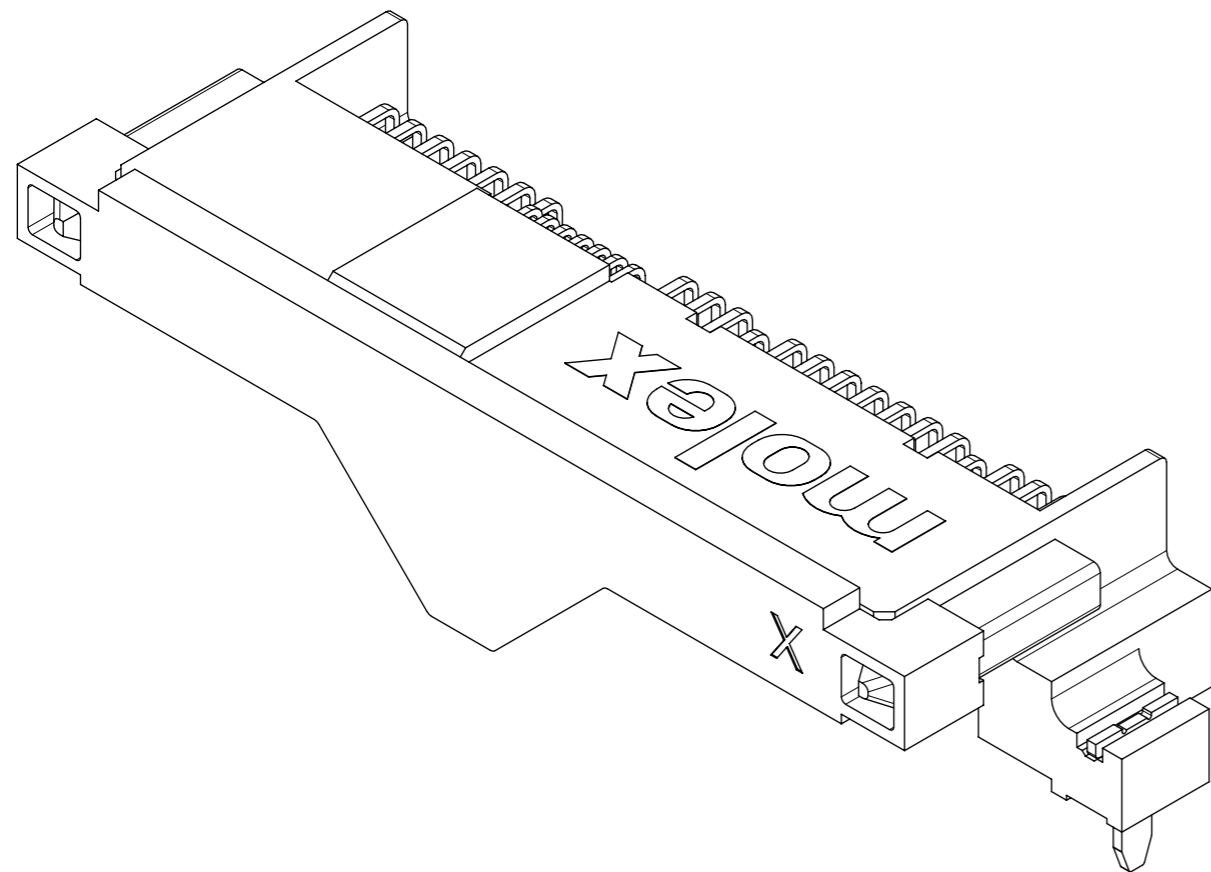
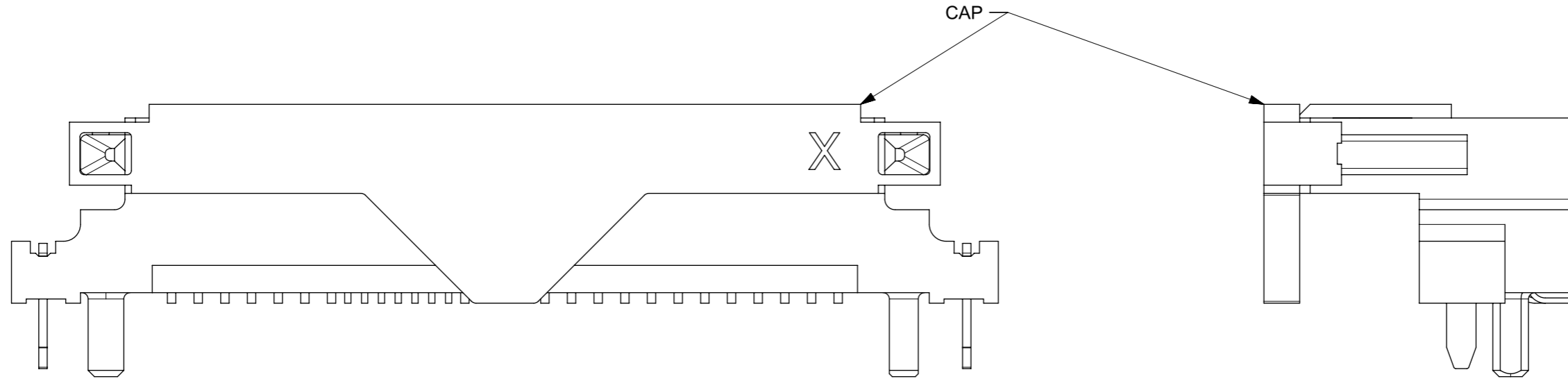
87945-0002 (WITHOUT CAP)  
87945-0202 (WITH CAP)



87945-1001 (WITHOUT CAP)  
87945-1201 (WITH CAP)

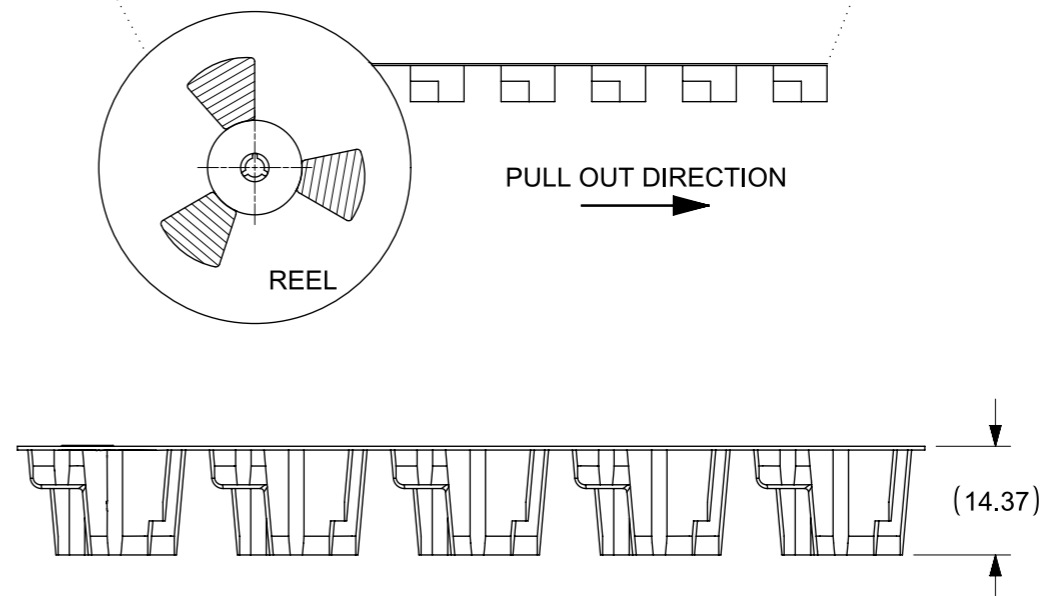
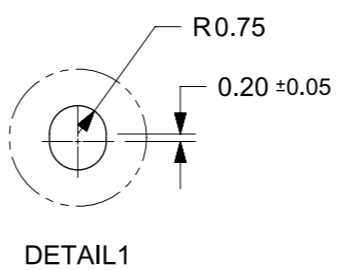
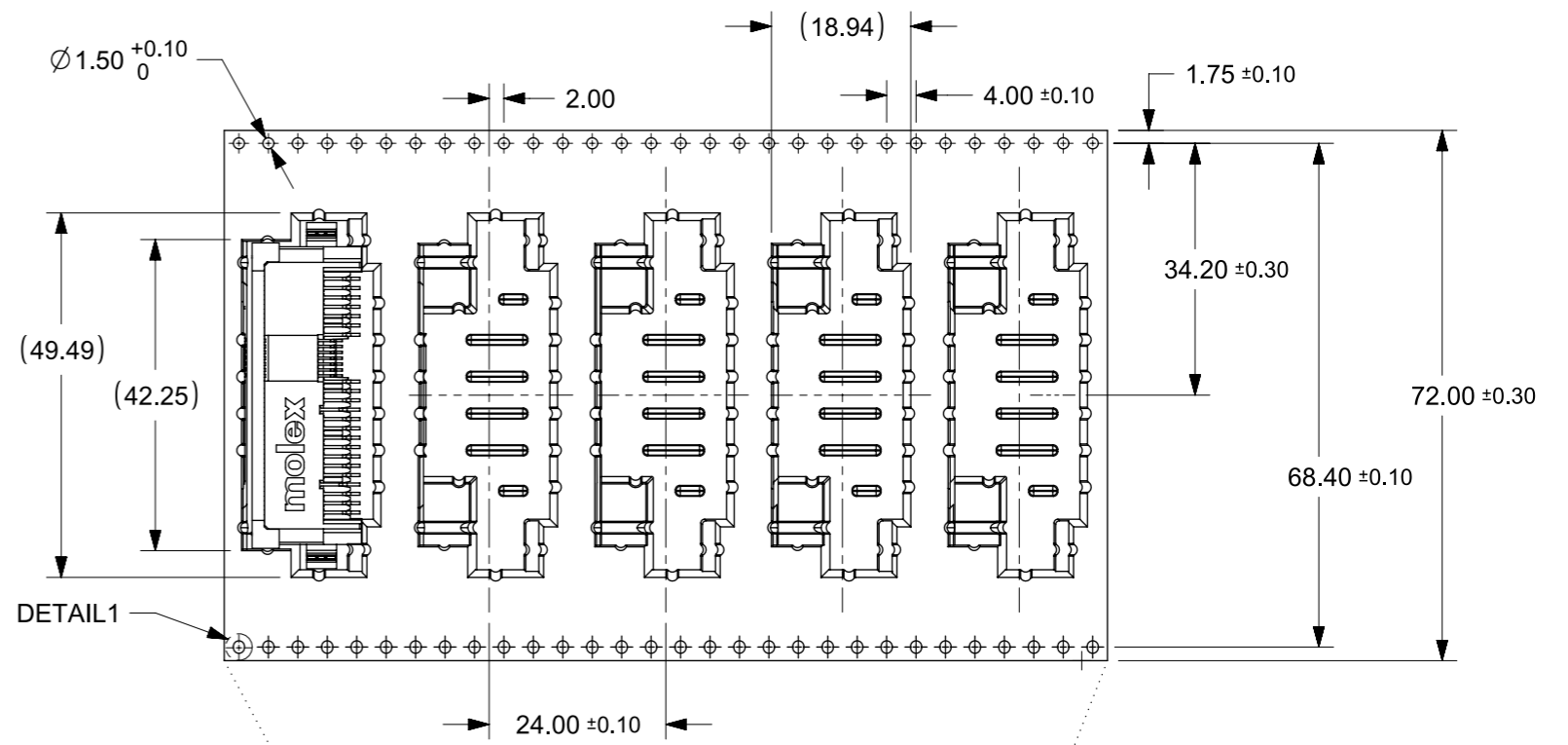
THIS DRAWING CONTAINS INFORMATION THAT IS PROPRIETARY TO MOLEX ELECTRONIC TECHNOLOGIES, LLC AND SHOULD NOT BE USED WITHOUT WRITTEN PERMISSION												
DIMENSION UNITS	SCALE	CURRENT REV DESC: ADD DATUM H										
mm	NTS											
GENERAL TOLERANCES (UNLESS SPECIFIED)												
ANGULAR TOL	± 3.0 °	SERIAL ATTACH SCSI RECEPTACLE, RIGHT-ANGLE SMT, 7.07MM HEIGHT										
4 PLACES	±	PRODUCT CUSTOMER DRAWING										
3 PLACES	±	EC NO: 717471	2022/08/08	DOCUMENT NUMBER						DOC TYPE	DOC PART	REVISION
2 PLACES	± 0.2	DRWN: SKANG	2022/08/11	SD-87945-001						PSD	001	C2
1 PLACE	±	CHK'D: EKSOH	2022/08/11	INITIAL REVISION:						SHEET NUMBER		
0 PLACES	±	APPR: SHLENI	2022/08/12	DRWN: KCHO						4 OF 6		
DRAFT WHERE APPLICABLE MUST REMAIN WITHIN DIMENSIONS		THIRD ANGLE PROJECTION	DRAWING	SERIES	MATERIAL NUMBER	CUSTOMER						
			A3-SIZE	87945		GENERAL MARKET						

ILLUSTRATION FOR PART WITH CAP



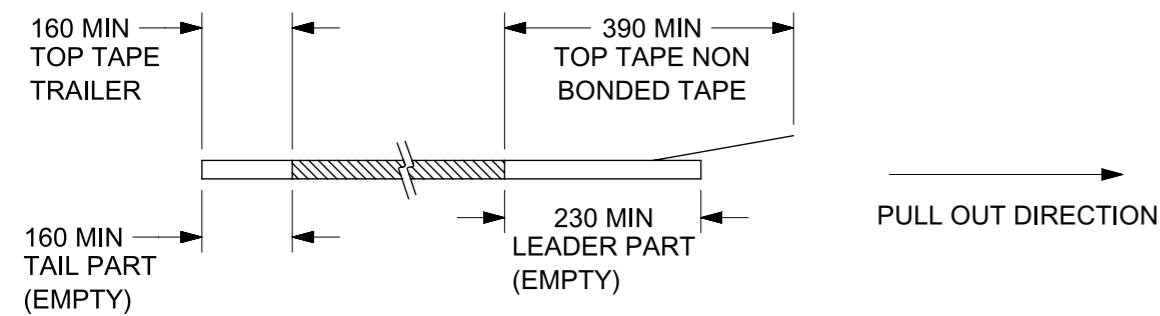
THIS DRAWING CONTAINS INFORMATION THAT IS PROPRIETARY TO MOLEX ELECTRONIC TECHNOLOGIES, LLC AND SHOULD NOT BE USED WITHOUT WRITTEN PERMISSION									
DIMENSION UNITS		SCALE		CURRENT REV DESC: ADD DATUM H				<b>molex</b>	
mm		NTS							
GENERAL TOLERANCES (UNLESS SPECIFIED)				SERIAL ATTACH SCSI RECEPTACLE, RIGHT-ANGLE SMT, 7.07MM HEIGHT					
ANGULAR TOL ± 3.0 °				PRODUCT CUSTOMER DRAWING					
4 PLACES ±				EC NO: 717471		2022/08/08		DOCUMENT NUMBER	
3 PLACES ±				DRWN: SKANG		2022/08/11		SD-87945-001	
2 PLACES ±		0.2		CHK'D: EKSOH		2022/08/12		DOC TYPE	
1 PLACE ±				APPR: SHLENI				DOC PART	
0 PLACES ±				INITIAL REVISION:				REVISION	
				DRWN: KCHO		2005/02/28		001	
				APPR: SKTOH		2005/03/01		C2	
DRAFT WHERE APPLICABLE MUST REMAIN WITHIN DIMENSIONS			THIRD ANGLE PROJECTION		DRAWING		SERIES		MATERIAL NUMBER
					A3-SIZE		87945		CUSTOMER
							GENERAL MARKET		SHEET NUMBER
									5 OF 6

PART WITH CAP IN T&R

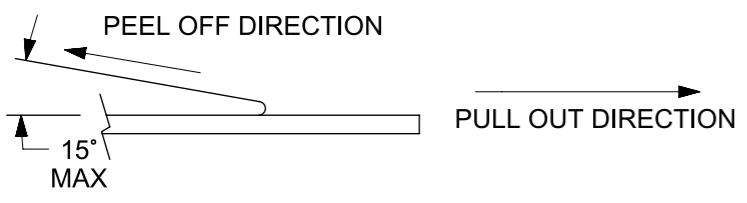


NOTES:

1. LEADER AND TRAILER TAPE



2. PEELING OFF FORCE OF THE TOP TAPE: 20 - 80gf. (PEELING DIRECTION AS SHOWN IN FOLLOWING FIGURE)



- 3. TAPE AND REEL SPECIFICATION IS AS PER EIA-481.
- 4. TAPE AND REEL QUANTITY : 150PCS
- 5. THE TAPE IS TREATED FOR ANTI-STATIC.

THIS DRAWING CONTAINS INFORMATION THAT IS PROPRIETARY TO MOLEX ELECTRONIC TECHNOLOGIES, LLC AND SHOULD NOT BE USED WITHOUT WRITTEN PERMISSION									
DIMENSION UNITS		SCALE		CURRENT REV DESC: ADD DATUM H					
mm		NTS		<p>SERIAL ATTACH SCSI RECEPTACLE, RIGHT-ANGLE SMT, 7.07MM HEIGHT</p> <p>PRODUCT CUSTOMER DRAWING</p>					
GENERAL TOLERANCES (UNLESS SPECIFIED)									
ANGULAR TOL ± 3.0 °									
4 PLACES ±		EC NO: 717471							
3 PLACES ±		DRWN: SKANG 2022/08/08							
2 PLACES ± 0.2		CHK'D: EKSOH 2022/08/11							
1 PLACE ±		APPR: SHLENI 2022/08/12							
0 PLACES ±		INITIAL REVISION:		DOCUMENT NUMBER		DOC TYPE		DOC PART	
DRAFT WHERE APPLICABLE MUST REMAIN WITHIN DIMENSIONS		THIRD ANGLE PROJECTION		DRAWING		SERIES		MATERIAL NUMBER	
				A3-SIZE		87945		SD-87945-001	
				GENERAL MARKET		PSD		001 C2	
								6 OF 6	