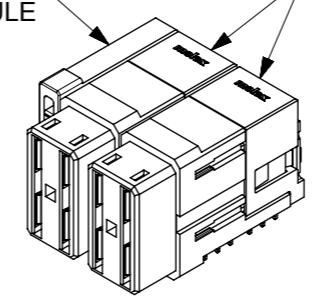


PART NUMBER	NUMBER OF POWER MODULES	"DIM A"	PLATING OPTION	LEFT HOLD DOWN MODULE LOCATION 9
78350-1001	1X	15.00	TIN	REFER TO SHEET 2 FOR DETAILS
78350-1011	2X	26.40		

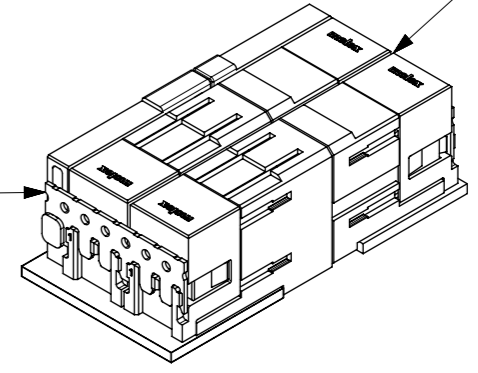
LEFT HOLD DOWN OPTIONS

LEFT HOLD DOWN MODULE

POWER MODULE



78349-****
R/A HEADER
W/ RIGHT
HOLD DOWN



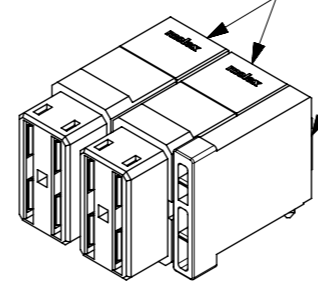
78350-****
R/A RECEPTACLE
W/ LEFT HOLD DOWN

PART NUMBER	NUMBER OF POWER MODULES	"DIM A"	PLATING OPTION	RIGHT HOLD DOWN MODULE LOCATION 9
78350-2001	1X	15.00	TIN	REFER TO SHEET 3 FOR DETAILS
78350-2011	2X	26.40		

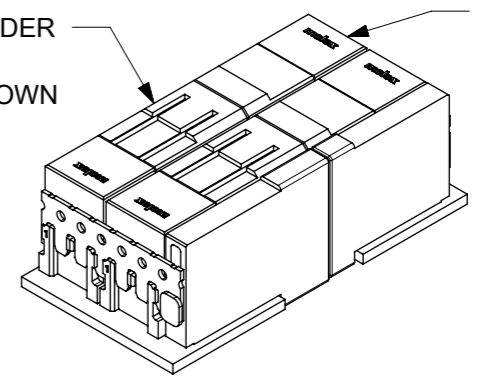
RIGHT HOLD DOWN OPTIONS

POWER MODULE

RIGHT HOLD DOWN MODULE



78349-****
R/A HEADER
W/ LEFT
HOLD DOWN



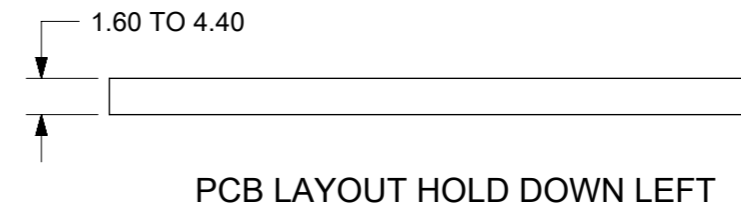
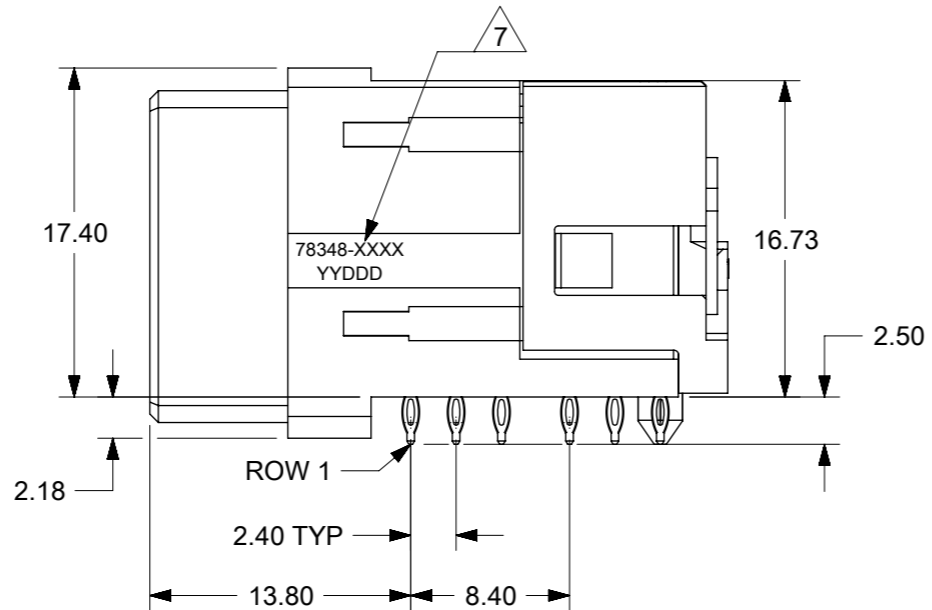
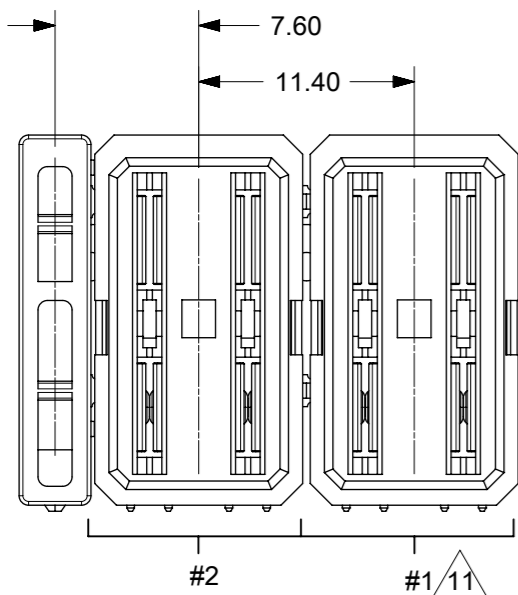
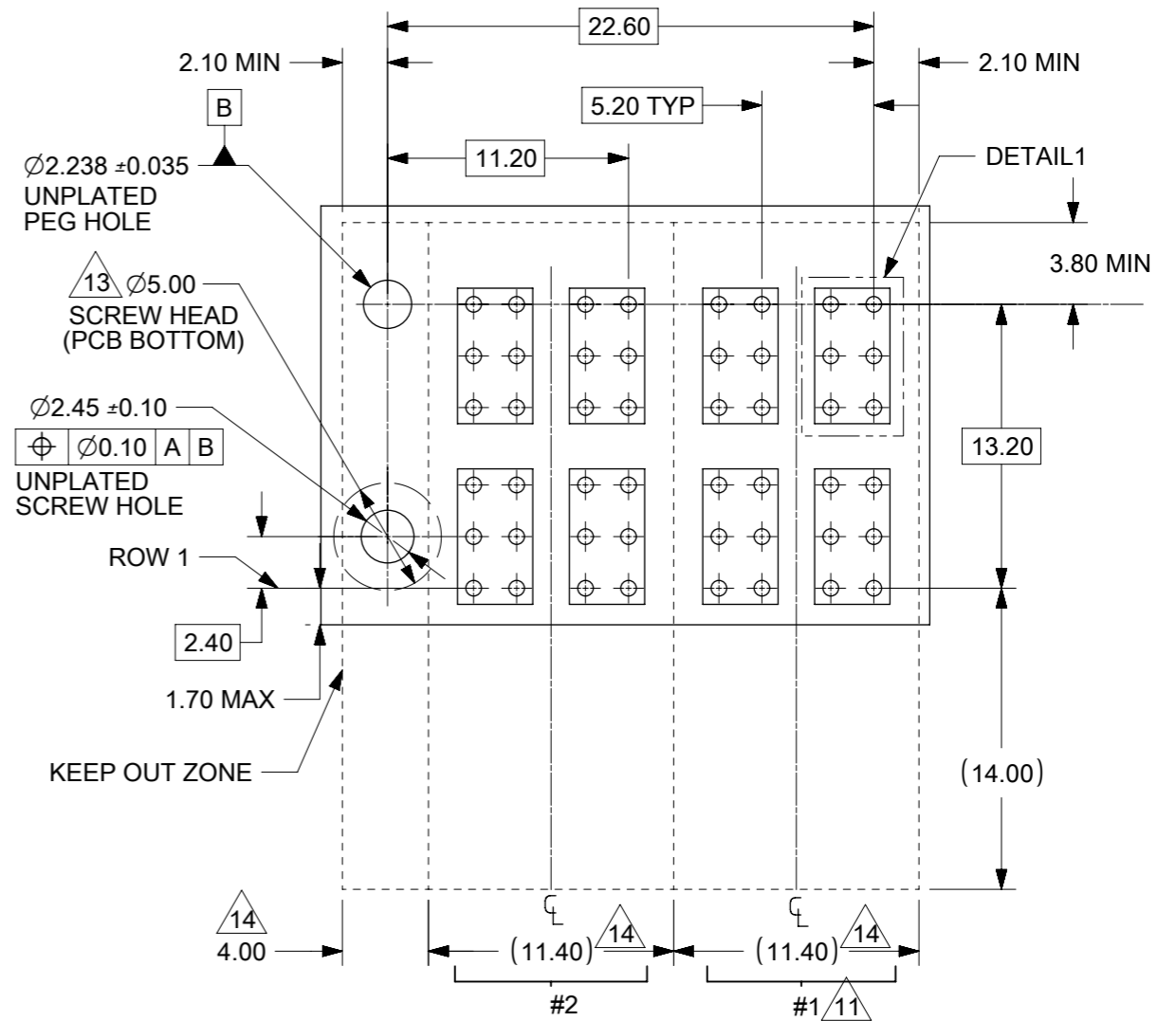
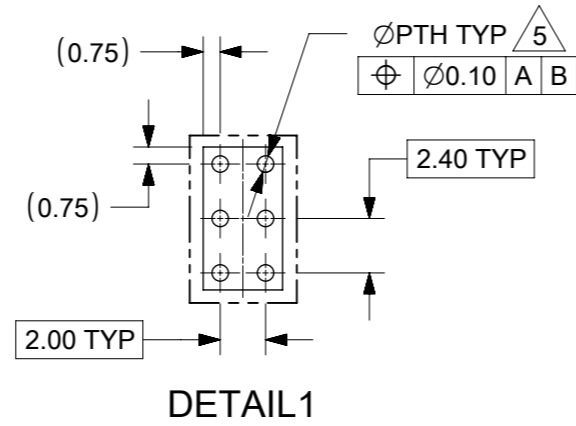
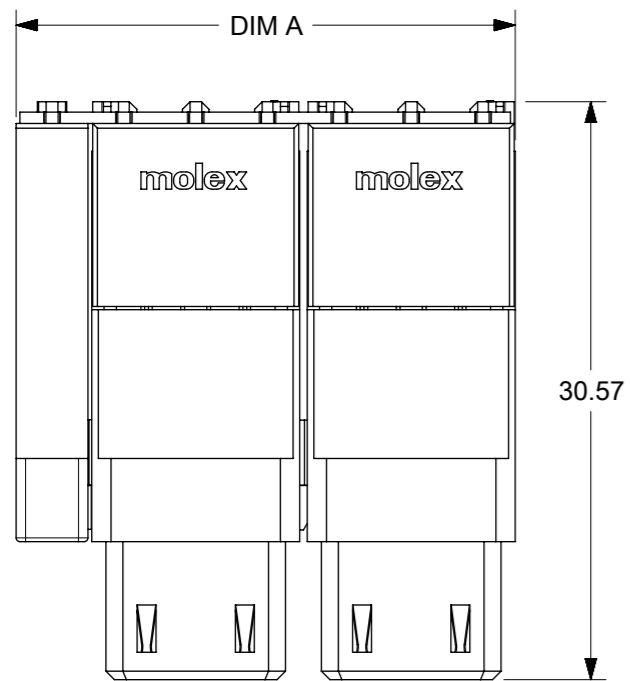
78350-****
R/A RECEPTACLE
W/ RIGHT HOLD DOWN

NOTES:

1. MATERIALS:
HOUSING - HIGH TEMP. THERMOPLASTIC, GLASS FILLED, UL94-V0,COLOR:BLACK.
POWER PIN - COPPER ALLOY.
2. FINISHES:
POWER CONTACTS
0.76µm MINIMUM GOLD AT CONTACT AREA AND
2.54µm MINIMUM TIN AT SOLDER TAIL AREA
OVER 1.27µm MINIMUM NICKEL UNDERPLATE.
3. PRODUCT SPECIFICATION: PS-78213-001.
4. PACKAGING SPECIFICATION:
PK-78350-001 (1X MODULE WITH HOLD DOWN MODULE)
PK-78350-002 (2X MODULE WITH HOLD DOWN MODULE)
5. REFER TO MOLEX PRODUCT SPECIFICATION PS-78213-001 FOR PLATED THROUGH HOLE SPECIFICATIONS AND TORQUE FORCE.
6. MATES WITH 78349-****.
7. PART NUMBER AND YEAR-DAY CODE. CAN BE AT THE OPPOSITE SIDE.
8. ADD 11.4mm FOR EACH ADDITIONAL POWER MODULE.
9. THE DETAILS FOR LEFT & RIGHT HOLD DOWN OPTION ARE SHOWN IN SHEET 2 AND SHEET 3 RESPECTIVELY.
10. CONNECTORS ARE PACKED IN TRAY
11. FIRST POWER MODULE(#1) START FROM THE RIGHT.
12. REFER TO SD-78248-001 FOR DETAILS OF THE POWER MODULE .
13. ALL PARTS ARE SHIPPED WITH A 2-32 TYPE AB SELF-TAPPING SCREW PART NUMBER 73726-0000.
14. COMPONENT KEEP AWAY ZONE FROM CONNECTOR

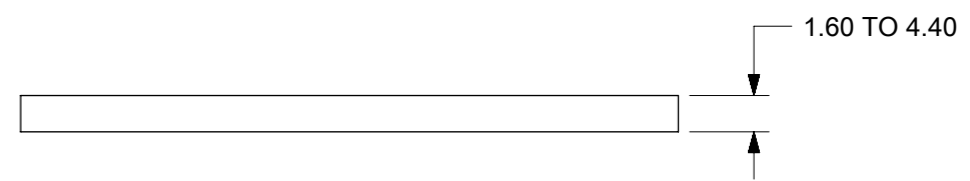
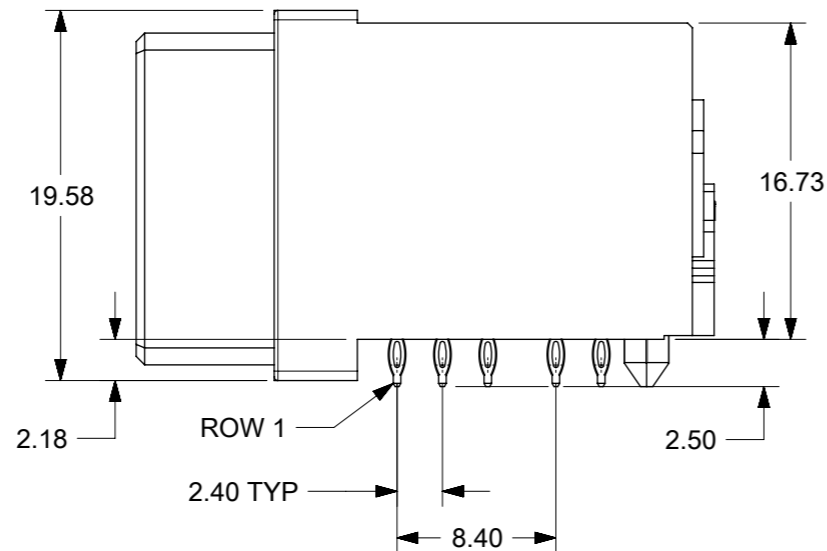
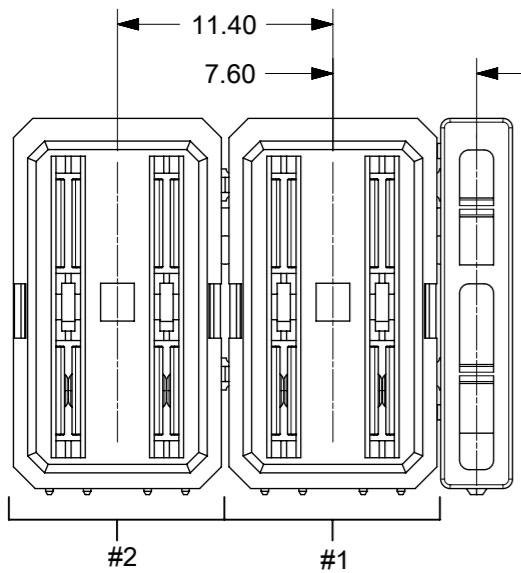
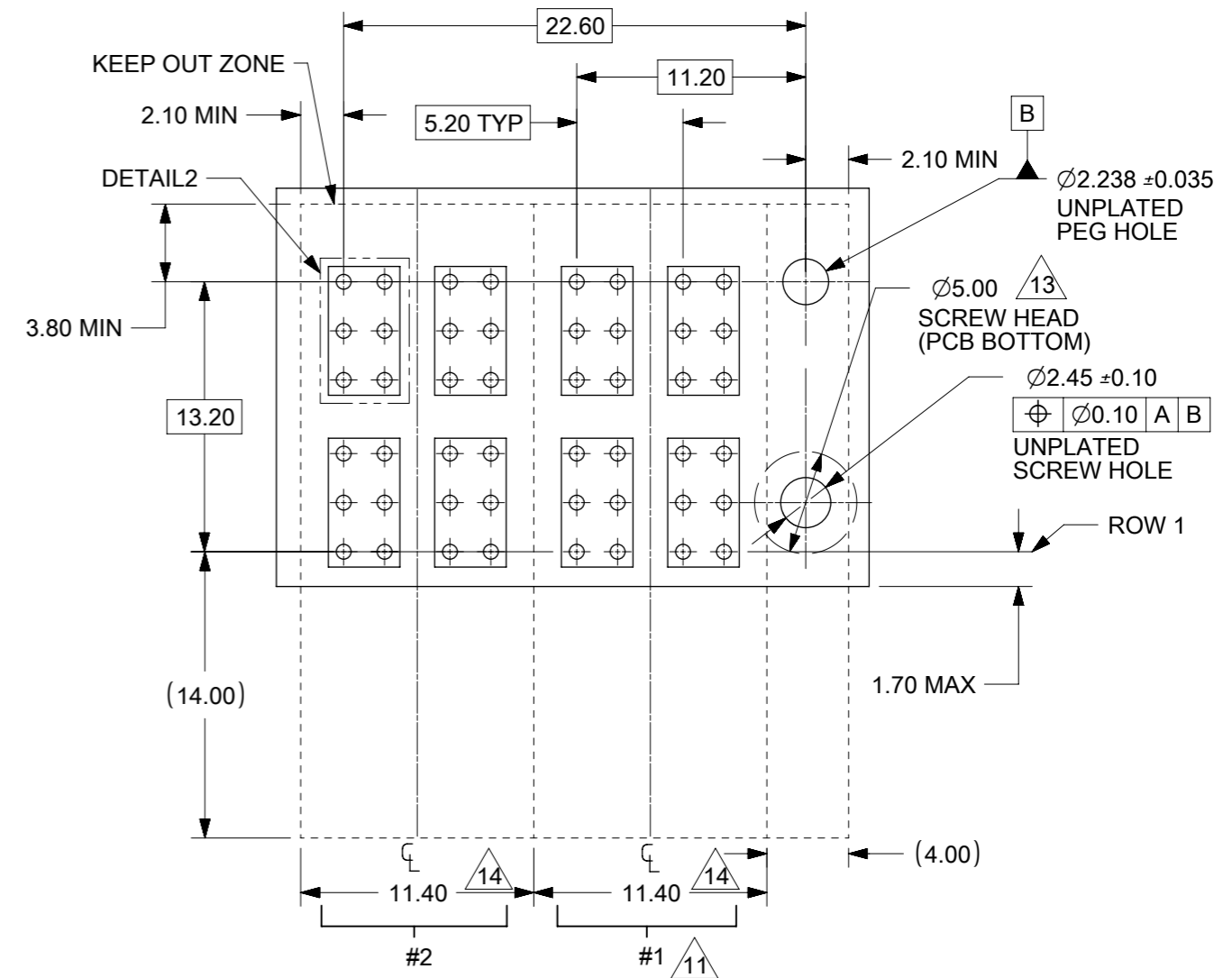
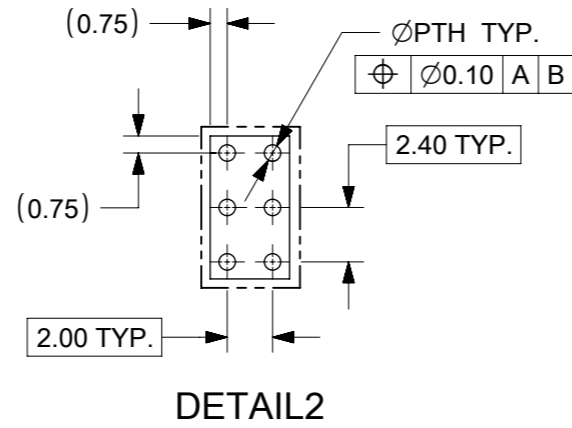
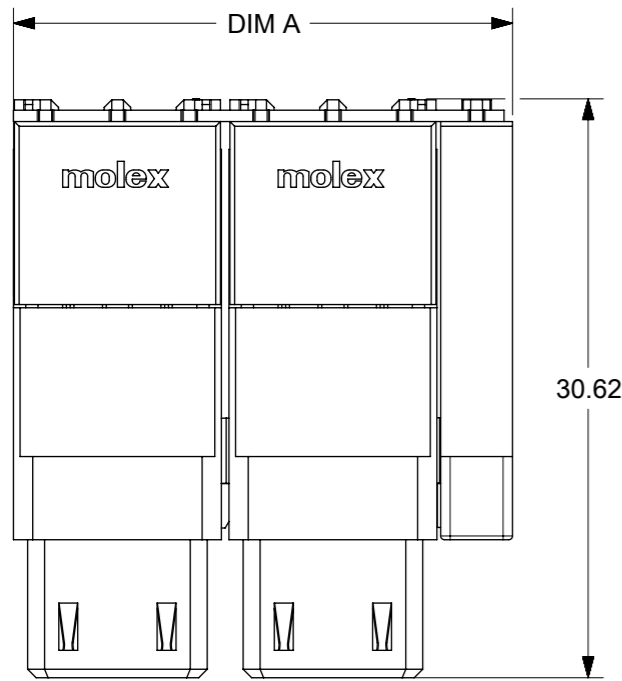
THIS DRAWING CONTAINS INFORMATION THAT IS PROPRIETARY TO MOLEX ELECTRONIC TECHNOLOGIES, LLC AND SHOULD NOT BE USED WITHOUT WRITTEN PERMISSION		CURRENT REV DESC: MIGRATED TO NX		molex	
DIMENSION UNITS	SCALE				
mm	NTS			IMPACT POWER, 4 PAIR RA RECEPT W HOLD DOWN PRESS FIT	
GENERAL TOLERANCES (UNLESS SPECIFIED)					
ANGULAR TOL	± 1.0 °	EC NO: 612055		PRODUCT CUSTOMER DRAWING	
4 PLACES	±	DRWN: BREVANSIDDAB	2019/01/22		
3 PLACES	±	CHK'D: ABN	2019/02/14		
2 PLACES	± 0.25	APPR: CWANG25	2019/03/05	DOCUMENT NUMBER SD-78350-001 DOC TYPE DOC PART REVISION PSD 001 B5	
1 PLACE	±	INITIAL REVISION:			
0 PLACES	±	DRWN: LNG	2011/01/10	MATERIAL NUMBER SEE TABLE CUSTOMER GENERAL MARKET SHEET NUMBER 1 OF 4	
DRAFT WHERE APPLICABLE MUST REMAIN WITHIN DIMENSIONS		APPR: SHONG	2011/05/04		
THIRD ANGLE PROJECTION		DRAWING	SERIES		
		A3-SIZE	78350		

LEFT HOLD DOWN OPTION



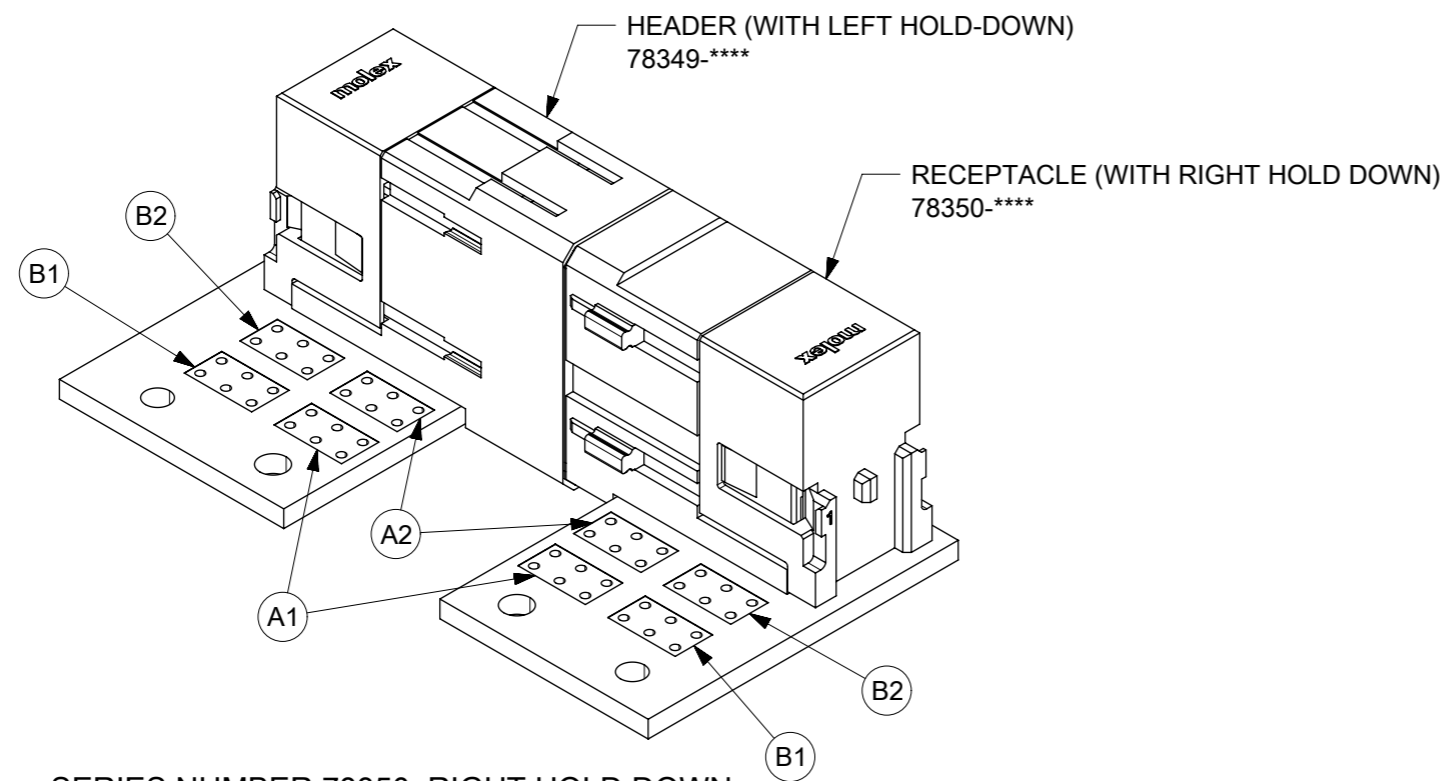
THIS DRAWING CONTAINS INFORMATION THAT IS PROPRIETARY TO MOLEX ELECTRONIC TECHNOLOGIES, LLC AND SHOULD NOT BE USED WITHOUT WRITTEN PERMISSION									
DIMENSION UNITS		SCALE		CURRENT REV DESC: MIGRATED TO NX					
mm		NTS		<p>IMPACT POWER, 4 PAIR RA RECEIPT W HOLD DOWN PRESS FIT</p> <p>PRODUCT CUSTOMER DRAWING</p>					
GENERAL TOLERANCES (UNLESS SPECIFIED)									
ANGULAR TOL		± 1.0°							
4 PLACES		±							
3 PLACES		±							
2 PLACES		± 0.25							
1 PLACE		±		INITIAL REVISION:		DOCUMENT NUMBER		DOC TYPE	
0 PLACES		±		DRWN: LNG		2011/01/10		SD-78350-001	
DRAFT WHERE APPLICABLE MUST REMAIN WITHIN DIMENSIONS		THIRD ANGLE PROJECTION		DRAWING		SERIES		MATERIAL NUMBER	
				A3-SIZE		78350		SEE TABLE	
				CUSTOMER		GENERAL MARKET		SHEET NUMBER	
								2 OF 4	

RIGHT HOLD DOWN OPTION

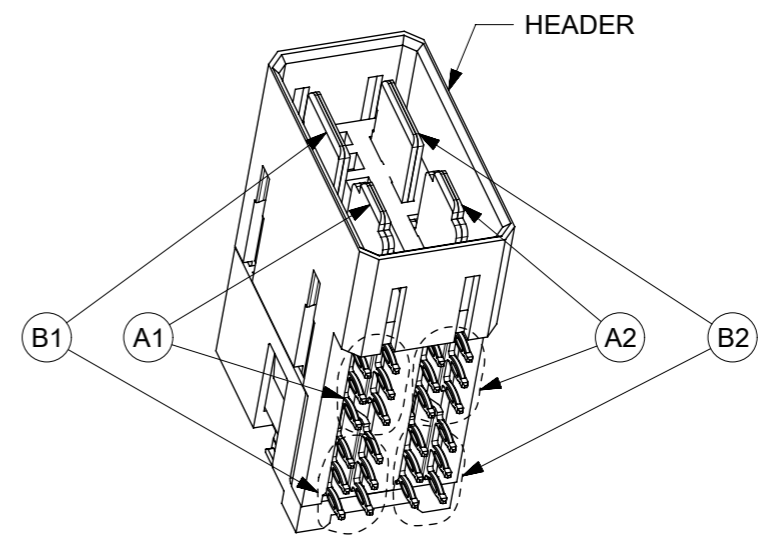


PCB LAYOUT HOLD DOWN RIGHT
(COMPONENT SIDE SHOWN)

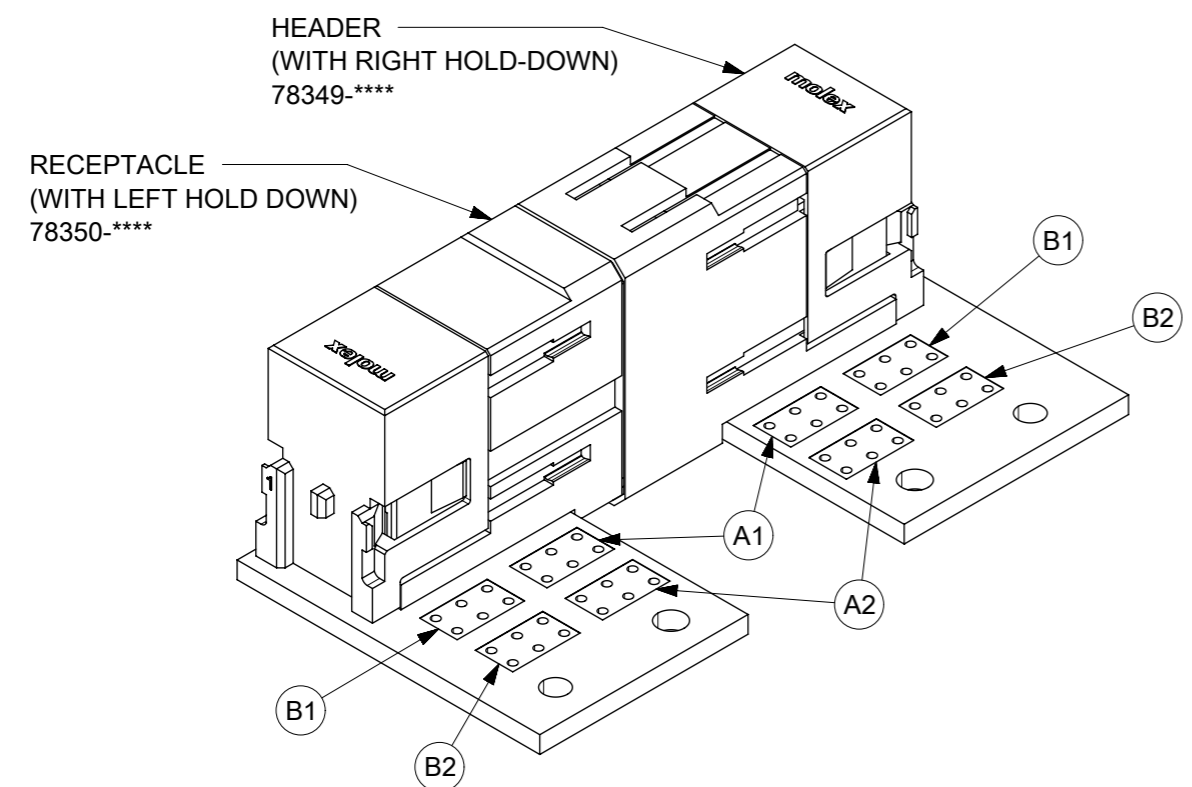
THIS DRAWING CONTAINS INFORMATION THAT IS PROPRIETARY TO MOLEX ELECTRONIC TECHNOLOGIES, LLC AND SHOULD NOT BE USED WITHOUT WRITTEN PERMISSION									
DIMENSION UNITS: mm		SCALE: NTS		CURRENT REV DESC: MIGRATED TO NX					
GENERAL TOLERANCES (UNLESS SPECIFIED)				<p>IMPACT POWER, 4 PAIR RA RECEIPT W HOLD DOWN PRESS FIT</p> <p>PRODUCT CUSTOMER DRAWING</p>					
ANGULAR TOL		± 1.0°							
4 PLACES		±							
3 PLACES		±							
2 PLACES		± 0.25							
1 PLACE		±		EC NO: 612055		DRWN: BREVANSIDDAB 2019/01/22		CHK'D: ABN 2019/02/14	
0 PLACES		±		APPR: CWANG25 2019/03/05		INITIAL REVISION:		DOCUMENT NUMBER	
DRAFT WHERE APPLICABLE MUST REMAIN WITHIN DIMENSIONS		THIRD ANGLE PROJECTION		DRAWING: A3-SIZE		SERIES: 78350		MATERIAL NUMBER: SEE TABLE	
								CUSTOMER: GENERAL MARKET	
								REVISION: 001 B5	
								SHEET NUMBER: 3 OF 4	



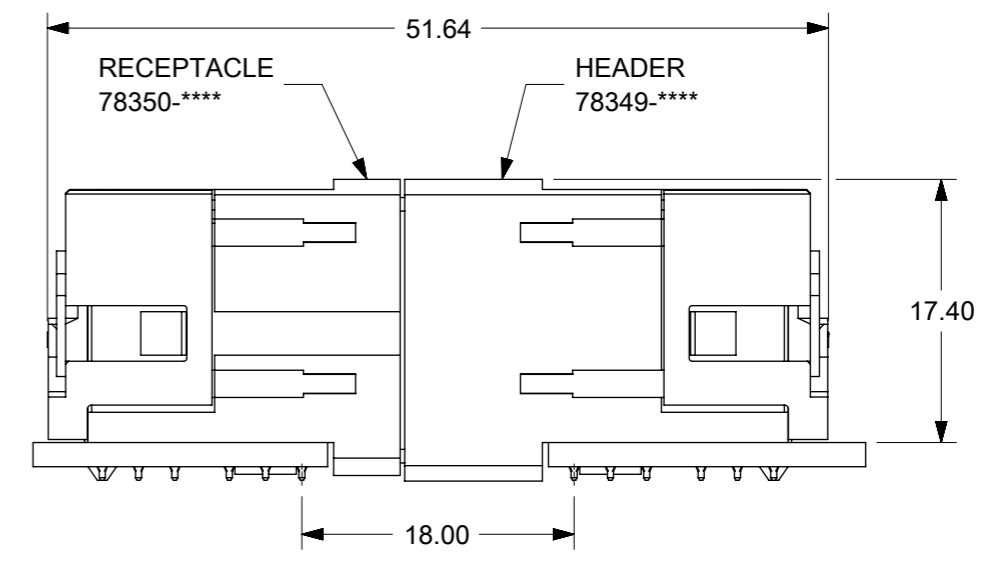
SERIES NUMBER 78350; RIGHT HOLD DOWN:
1 POWER MODULE AND HOLD DOWN REMOVED TO
ILLUSTRATE CIRCUIT PATH OF MATED SYSTEM



PIN NUMBER ASSIGNMENT BASED ON HEADER SIDE:
A1, B1 ON THE LEFT,
A2, B2 ON THE RIGHT.



SERIES NUMBER 78350; LEFT HOLD DOWN:
1 POWER MODULE AND HOLD DOWN REMOVED TO
ILLUSTRATE CIRCUIT PATH OF MATED SYSTEM



MATED SYSTEM OF 78349 & 78350

THIS DRAWING CONTAINS INFORMATION THAT IS PROPRIETARY TO MOLEX ELECTRONIC TECHNOLOGIES, LLC AND SHOULD NOT BE USED WITHOUT WRITTEN PERMISSION									
DIMENSION UNITS		SCALE		CURRENT REV DESC: MIGRATED TO NX					
mm		NTS		<p>IMPACT POWER, 4 PAIR RA RECEPT W HOLD DOWN PRESS FIT</p> <p>PRODUCT CUSTOMER DRAWING</p>					
GENERAL TOLERANCES (UNLESS SPECIFIED)									
ANGULAR TOL ± 1.0 °									
4 PLACES ±									
3 PLACES ±									
2 PLACES ± 0.25									
1 PLACE ±				EC NO: 612055		2019/01/22		DOCUMENT NUMBER	
0 PLACES ±				DRWN: LNG		2011/01/10		SD-78350-001	
DRAFT WHERE APPLICABLE MUST REMAIN WITHIN DIMENSIONS				THIRD ANGLE PROJECTION		DRAWING		SERIES	
		A3-SIZE		78350		MATERIAL NUMBER		CUSTOMER	
				SEE TABLE		GENERAL MARKET		SHEET NUMBER	
				4 OF 4					