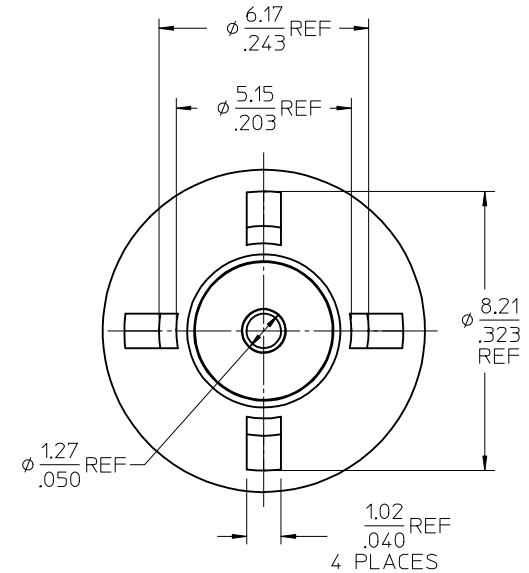
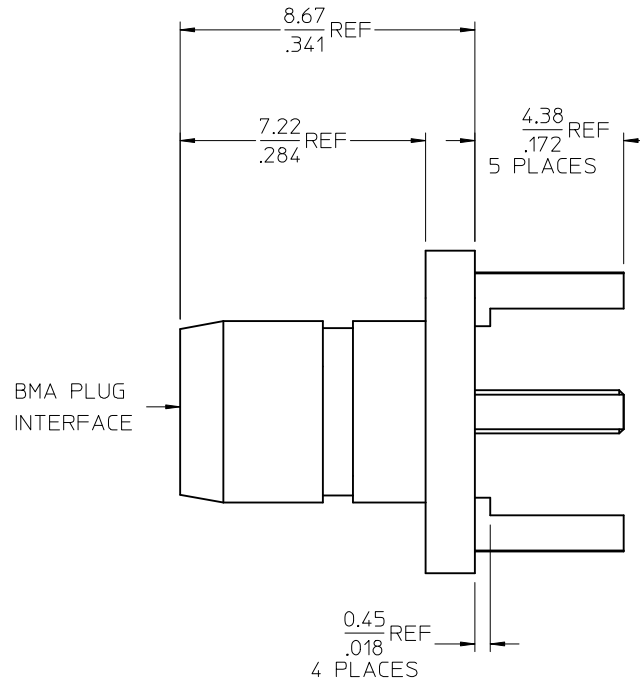
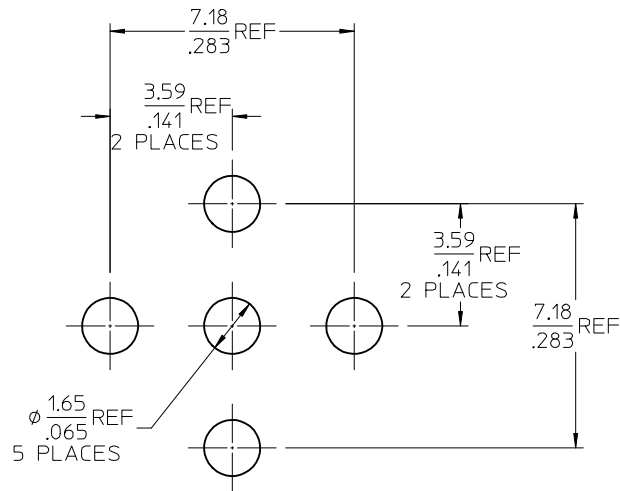
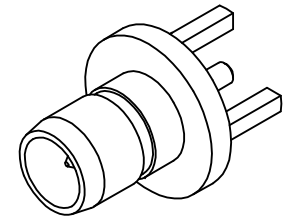


MATERIALS AND FINISHES

BODY BRASS  
PLATED GOLD

CENTER CONTACT BRASS  
PLATED GOLD

INSULATOR TEFLON



73298-0051	ONE PIECE 73298-0050 PER BAG
73298-0050	TRAY
PART NO.	PACKAGING

PS-89675-1840	ELECTRO/MECH SPEC
MIL-STD-348A, FIG. 321.1	INTERFACE
SPECIFICATION	DESCRIPTION

CHG: UPDATED PACKAGING TO -0050 PER RF15-E300	EC NO: URF2016-0154	DRWNR:YEH	CHKD: A5	APPR:YCHENG	DESCRIPTION
	2015/08/27				

QUALITY SYMBOLS	GENERAL TOLERANCES (UNLESS SPECIFIED)
▽=0	mm INCH
▽=0	4 PLACES ± --- ± ---
▽=0	3 PLACES ± --- ± ---
▽=0	2 PLACES ± --- ± ---
	1 PLACE ± --- ± ---
	0 PLACE ± ±
	ANGULAR ± 2 °
	DRAFT WHERE APPLICABLE MUST REMAIN WITHIN DIMENSIONS

DIMENSION STYLE		SCALE	DESIGN UNITS	THIRD ANGLE PROJECTION
MM/IN		9:1	METRIC	
DRAWN BY	DATE	TITLE		
TEF	2005/02/09	BMA PLUG, VERTICAL, PCB		
CHECKED BY	DATE	50 OHMS, EWR-2709		
SSS	2005/02/09	BMA-P/PCB		
APPROVED BY	DATE	molex		
JDW	2005/02/09	DOCUMENT NO. SD-73298-005		
MATERIAL NO.	SIZE	SHEET NO. 1 OF 1		
	C	THIS DRAWING CONTAINS INFORMATION THAT IS PROPRIETARY TO MOLEX INCORPORATED AND SHOULD NOT BE USED WITHOUT WRITTEN PERMISSION		