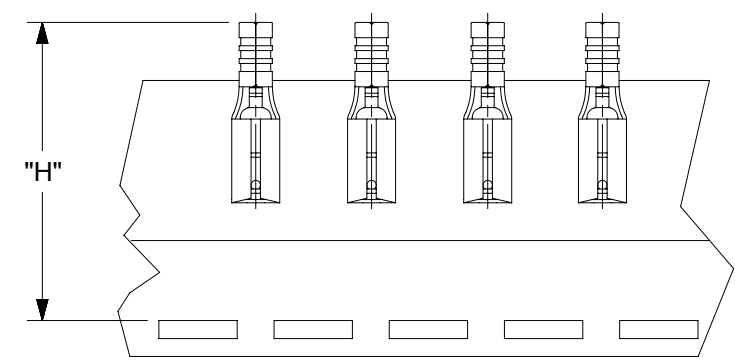
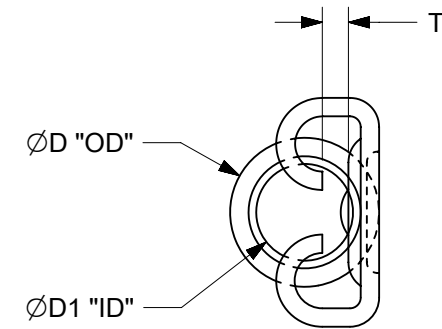
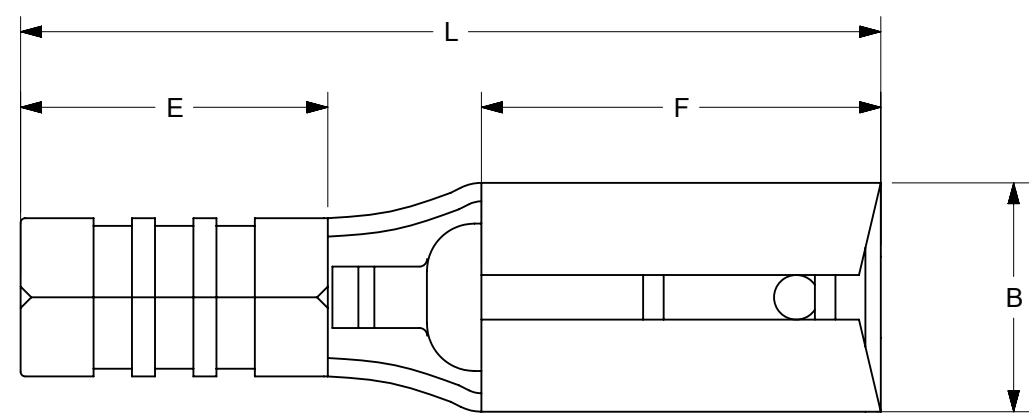


10	9	8	7	6	5	4	3	2	1			
MATERIAL NUMBER	ENGINEERING NUMBER	WIRE RANGE AWG	TAPED MATERIAL NUMBER	TAPED ENGINEERING NUMBER	T MAX	B MAX	F MIN	L MAX	E MIN	D1 MIN	D MAX	H NOMINAL
192030373	192030373	16-14	192030467	19203-0467	.030/.75	.239/6.06	.252/6.40	.587/14.92	.173/4.40	.083/2.10	.138/3.50	1.184/30.07
192030390	192030390	16-14	192030469	19203-0469	.030/.75	.302/7.66	.307/7.80	.666/16.92	.173/4.40	.083/2.10	.138/3.50	1.184/30.07
192030379	192030379	12-10	192030468	19203-0468	.030/.75	.302/7.66	.307/7.80	.706/17.92	.213/5.40	.130/3.30	.185/4.70	1.235/31.37

(B1)



TAPE MOUNTING LOCATION

NOTES:

1. MATERIAL: STEEL .016/0.40 THICK REF.
2. FINISH: NICKEL PLATED WITH OPTIONAL COPPER FLASH UNDERPLATING, IS ALLOWED FOR IMPROVED ADHESION.
3. PART IS ROHS COMPLIANT.
4. AMBIENT OPERATING TEMPERATURE UP TO 900 °F (483 °C).

(B1)

FUNCTIONAL SYMBOLS FA = 0 FC = 0 FE = 0	THIS DRAWING CONTAINS INFORMATION THAT IS PROPRIETARY TO MOLEX ELECTRONIC TECHNOLOGIES, LLC AND SHOULD NOT BE USED WITHOUT WRITTEN PERMISSION		CURRENT REV DESC: REMASTERED IN ECTR AND UPDATED NOTE		<p>KRIMPTITE QUICK DISCONNECT, STEEL, 900 DEG F (483 DEG C)</p> <p>PRODUCT CUSTOMER DRAWING</p>			
	DIMENSION UNITS	SCALE	EC NO: 708789					
	IN/MM	1:1	DRWN: PAWANC	2022/05/12				
	GENERAL TOLERANCES (UNLESS SPECIFIED)		CHKD: DMYRICK	2022/06/01				
DIVISIONAL SYMBOLS	MM	INCH	APPR: JMACNEIL	2022/06/02	DOCUMENT NUMBER	DOC TYPE	DOC PART	REVISION
4 PLACES ±	±	±	INITIAL REVISION:	05/12/02	SD-19203-025	PSD	001	B1
3 PLACES ±	±	±	DRWN: ASAYDEH	05/12/02				
2 PLACES ±	±	±	APPR: R DEROSH					
1 PLACE ±	±	±						
0 PLACES ±	±	±						
ANGULAR TOL ± °	±	°						
DRAFT WHERE APPLICABLE MUST REMAIN WITHIN DIMENSIONS	THIRD ANGLE PROJECTION	DRAWING	SERIES	MATERIAL NUMBER	CUSTOMER	SHEET NUMBER		
		B-SIZE	19203	SEE CHART	GENERAL MARKET	1 OF 1		