

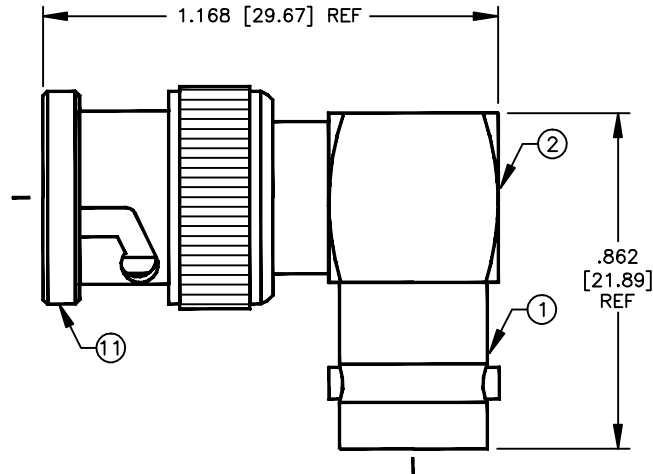
# SPECIFICATION CONTROL DRAWING

THIS DRAWING CONTAINS INFORMATION PROPRIETARY TO RF INDUSTRIES, LTD. ANY UNAUTHORIZED USE OF THIS DRAWING IS EXPRESSLY PROHIBITED. ANY VIOLATION IS PUNISHABLE UNDER U.S. COPYRIGHT LAWS.

REV	DESCRIPTION	DWN	DATE	APPROVED
C	CHANGE PIN TO SILVER / CREATE SECTION DRAWING	KMM	8/11/94	R. RICE
D	CHANGE PRESS FIT DIMENSIONS	KMM	2/2/96	R. RICE
E	CHANGE LENGTH ITEM #4	KMM	9/9/97	R. RICE
F	CHG SHELL, BODY & PIN DIMS / CHG DIE ID & OD CONFIG	CZS	3/25/99	R. RICE

ALL DIMENSIONS ARE REFERENCE ONLY

000000



## SPECIFICATIONS:

IMPEDANCE: 50 OHMS  
 VOLTAGE RATING: 500 VRMS @ SEA LEVEL  
 FREQUENCY RANGE: 0-4 GHz

ITEM	DESCRIPTION	QTY	MATERIAL	FINISH
11	SHELL	1	BRASS	NICKEL
10	WASHER	1	BRASS	NICKEL
9	SPRING	1	SK-5	NONE
8	SPLIT LOCK WASHER	1	BRASS	NICKEL
7	GASKET	1	S.I. RUBBER	RED
6	DIELECTRIC	1	PTFE	NONE
5	DIELECTRIC	1	PTFE	NONE
4	CONTACT	1	BRASS	SILVER
3	PIN	1	BRASS	SILVER
2	BODY	1	BRASS	NICKEL
1	PRESS FIT BODY	1	BRASS	NICKEL

DIMENSIONS ARE IN INCHES AND [MILLIMETERS]	
UNLESS OTHERWISE NOTED TOLERANCES ARE: DECIMALS      DIAMETER	
DRAWN C. ZUNIGA	3/25/99
CHECKED	
ORJ DRAWN C. ZUNIGA	3/25/99
APPROVALS	DATE

RF

connectors

7610 MIRAMAR RD  
 SAN DIEGO, CA 92126  
 (619)549-6340  
 (619)549-6345 FAX

DIVISION OF RF INDUSTRIES, LTD.

## RFB-1132 \ UG306A/U

BNC MALE TO BNC FEMALE RIGHT ANGLE ADAPTER

SIZE A	CABLE GROUP N/A	DWG NO. 7669	REV F
SCALE: 2:1		CAD FILE 13ARC B	SHEET 1 OF 1