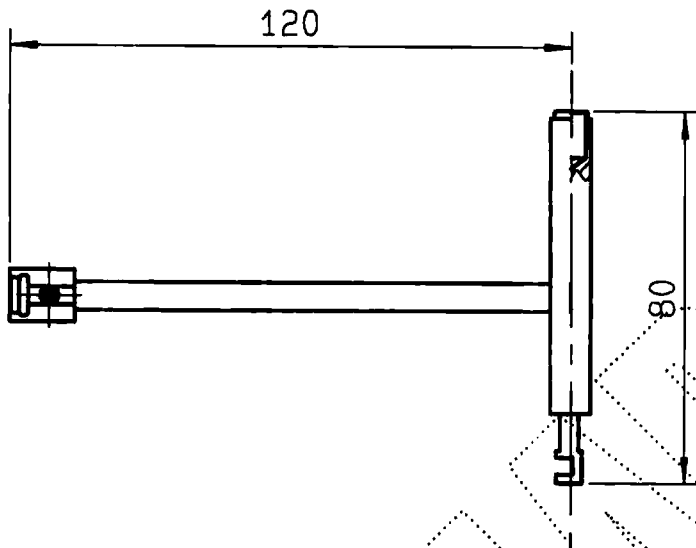


COMBINATION TOOL HDC 43

R282.868.201

SERIES

OUT



NOMINAL IMPEDANCE	Ω	CABLES	
FREQUENCY RANGE	GHz		
TEMPERATURE RATING	$^{\circ}\text{C}$		
V.S.W.R	+ x F.(GHz) Maxi		
RF INSERTION LOSS	$\sqrt{F}(\text{GHz}) \text{ dB} \cdot \text{Maxi}$		
VOLTAGE RATING	$V_{\text{eff}} \text{ Maxi}$		
DIELECTRIC WITHSTANDING VOLTAGE	$V_{\text{eff}} \text{ Mini}$	OTHERS CHARACTERISTICS	
INSULATION RESISTANCE	$M \Omega \text{ Mini}$		
HERMETIC SEAL	$\text{Atm} \cdot \text{cm}^3/\text{s}$	CABLE RETENTION	N Mini
LEAKAGE (pressurized only)		CENTER CONTACT RETENTION	
MECHANICAL DURABILITY	Cycles	Axial force - mating end	N Mini
WEIGHT	gr	Axial force - opposite end	N Mini
SPECIFICATION		Torque	cm.N Mini
		RECOMMENDED TORQUES	
		Mating	cm.N
		Panel nut	cm.N
		Clamp nut	cm.N

CONNECTOR PARTS	MATERIALS	FINISH	(all values are given in micrometers)
BODY			
OUTER CONTACT			
CENTER CONTACT			
INSULATOR	-		
GASKET	-		
OTHERS PIECES			

ISSUE	CREATION DATE	FILE PART-NUMBER
9904A00	13-MAR-97	97-0106-055



The information given here is subject to change without notice. Design changes may be in order to improve the product.

Connect to the future

KAM DE A