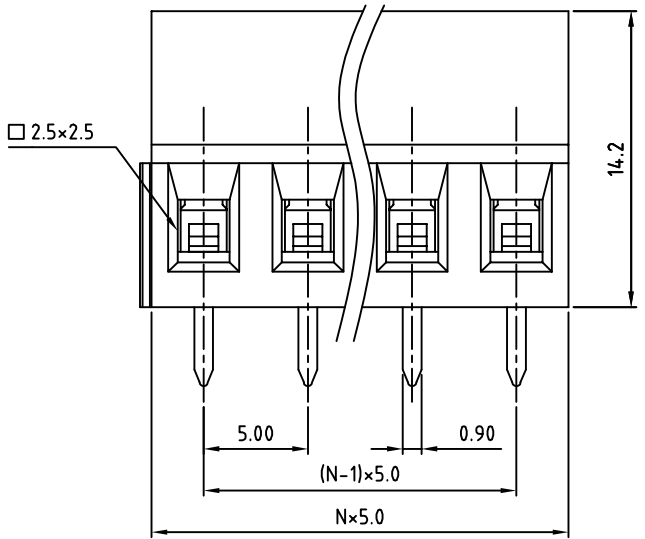
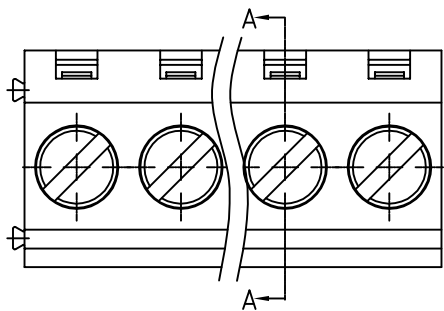
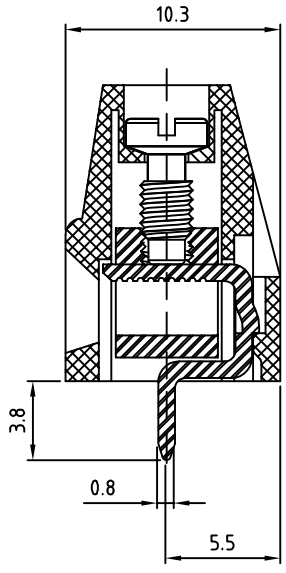
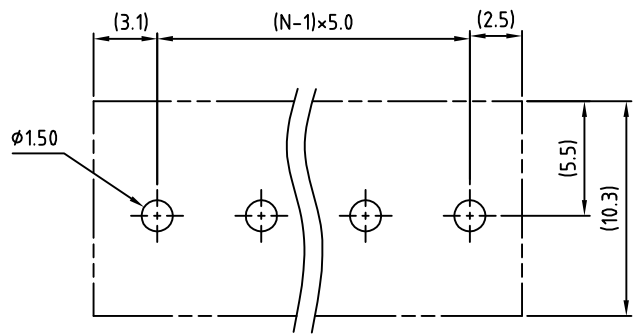


SIGN	DATE	DESCRIPTION	APPROVER
THIS IS CAD DRAWING, DO NOT REVISE MANUALLY!!!			



N=Number of conacts
P.C.B. LAYOUT



SECTION A-A

- Material
- Terminal body (metal housing): Brass(CuZn)
 - Terminal screw: Steel Zinc plating "-" slot type
 - Contacts: Brass
 - Surface of solder tail: Tin plated
 - Insulator (housing): Thermoplastic (UL94V-0)

- Electrical
- Voltage rating: 300VAC
 - Current rating: 10A
 - Wire range: Solid wire(AWG): 12-22, Stranded wire(AWG): 12-22
 - Torque(Lb-In): 3.5
 - Screw: M2.5
 - Wire strip length: 6-7mm
 - Withstanding Voltage: 1.6KV
 - Operating temperature: -30°C to +105°C
 - Soldering temperature: 250°C±10°C/5 Sec
 - Safety Approval:

RoHS Compliant

PART NUMBER:

OSTTIXX0150

- No. of Poles
- 02 2 Poles
 - 03 3 Poles
 -
 - 24 24 Poles

- COLOR
- 0: Black
 - 5: Green (Standard)
 - 6: Blue
 - 8: Grey



TITLE		OSTTI 5.0mm series			
PART NO.	OSTTIXX0150	DWG NO.	OSTTIXX0150.DWG		
APPROVED	CHECKED	DESIGNED	DRAWN	CUST NO.	
Shi Jun 2006.10.23	Shi Jun 2006.10.23	Aaron 2006.10.23	Aaron 2006.10.23		
				UNIT: mm	Tolerance
				SCALE: NONE	X. ±0.50
SHEET: 01/01		REV: E		X.X ±0.30	X.XX ±0.10
				X° ±1°	

THESE DRAWINGS AND SPECIFICATIONS ARE THE PROPERTY OF ON-SHORE TECHNOLOGY, INC. AND SHALL NOT BE REPRODUCED, COPIED OR USED IN ANY MANNER WITHOUT THE PRIOR WRITTEN CONSENT OF ON-SHORE TECHNOLOGY, INC.