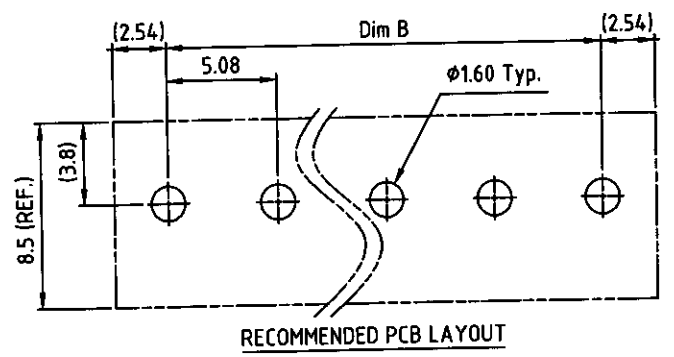
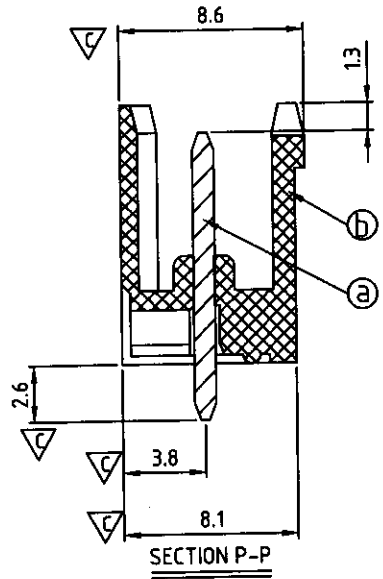
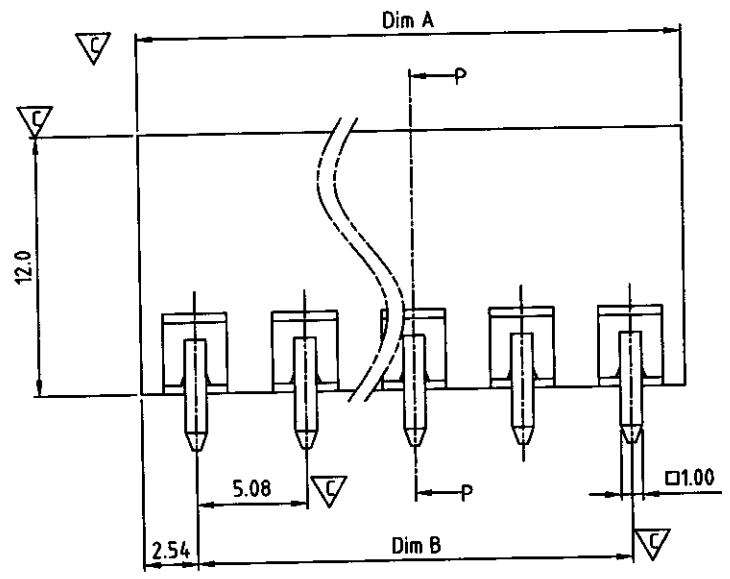


N= NUMBER OF POLES

Dim A	Nx5.08
Dim B	(N-1)x5.08
Dim C	(N-1)x5.08

Poles	Tolerance
2P-3P	±0.15
4P-8P	±0.20
9P-12P	±0.25



SIGN	DATE	DESCRIPTION	APPROVER
△			

THIS IS CAD DRAWING, DO NOT REVISE MANUALLY!!!

Material:

- Item ㉑ Male contact pin: Copper Tin plated
- Item ㉒ Terminal(housing): High temp. polyamide (UL94V-0)

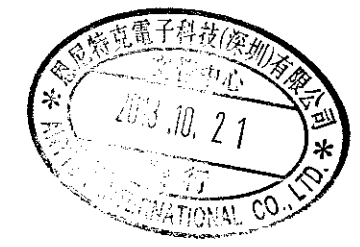
Electrical:

cULus

- Voltage rating: 300V
- Current rating: 20A
- Withstanding Voltage: 1.6 KV
- Operating temperature: -45°C to +65°C
- Soldering temperature: 280°C/10 Sec
- Safety Approval:
- Critical dimension: ▽

OQ xx 5 A x 0 xxxx G

- No. OF POLES:
 - 02 : 2 POLES
 - 03 : 3 POLES
 - ...
 - 12 : 12 POLES
- Color:
 - 0 Black (RAL9005)
- G RoHS compliant (lead<4%) In copper Alloy
- 0000: "@ Logo (Standard)
- 000A: "ANYTEK" Mark
- Any special item by customer request, please contact sales department.



ANYTEK

CUSTOMER COPY

ALL RIGHTS RESERVED. REPRODUCTION OR ISSUE TO THIRD PARTIES IN ANY FORM WHATSOEVER IS NOT PERMITTED WITHOUT WRITTEN AUTHORITY FROM THE PROPRIETOR. PROPERTY OF ANYTEK TECHNOLOGY CO., LTD

TITLE		OQ 5.08mm 180° Series 2P-12P Open THR TYPE			
PART NO.	OQxx5A000000G/AG	DWG NO.	80Q0102		
APPROVED	CHECKED	DESIGNED	DRAWN	CUST NO.	Tolerance
		Chen Bo	Chen Bo		X. ±0.50
		10/17 13	09/18 13		X.X ±0.30
SHEET: 01/01				UNIT: mm	X.XX ±0.10
				SCALE: NONE	X* ±1°
				REV.: B	