

DO NOT SCALE FROM THIS PRINT

No OF POSITIONS -02 THRU -50  
 OPTION (LEAVE BLANK FOR NO LATCH)  
 -M: METAL RETENTION LATCH  
 ROW SPECIFICATION  
 -S: SINGLE (USE ISDF-XX-S-R)

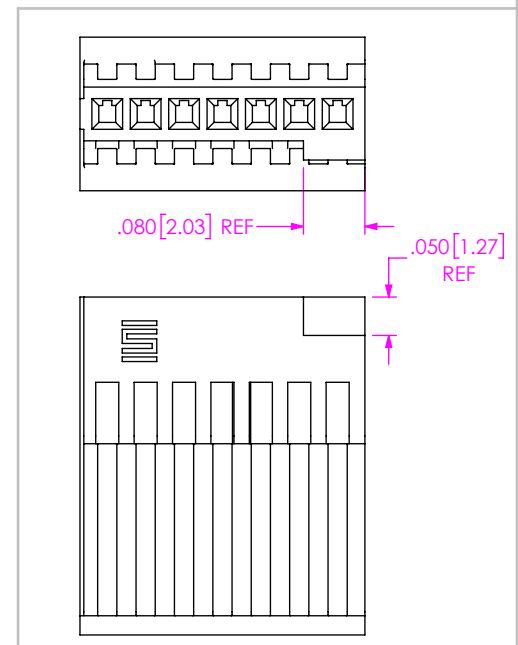
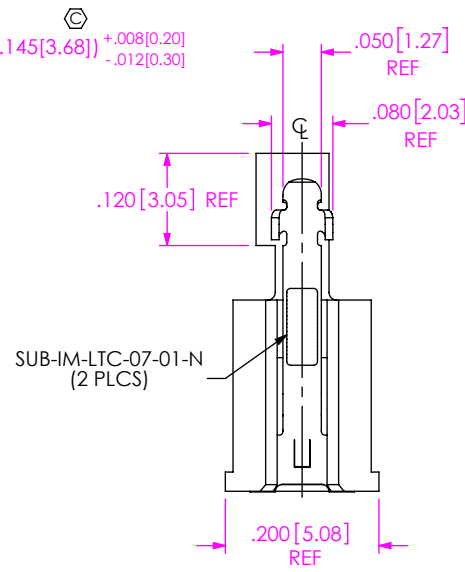
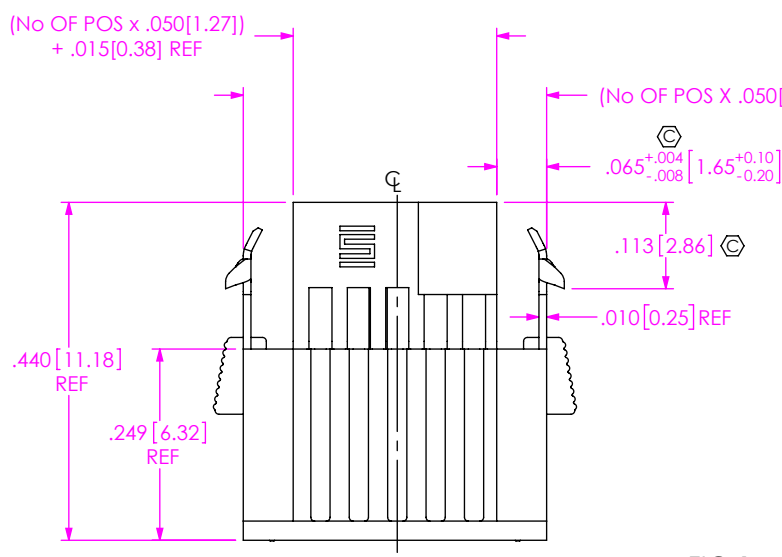
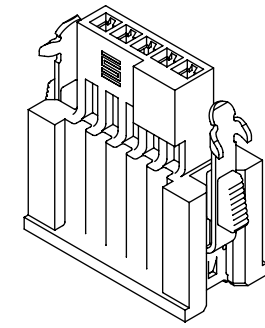
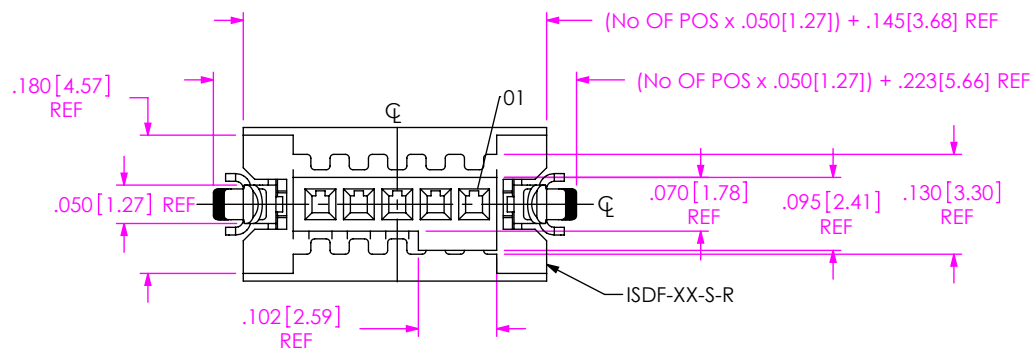
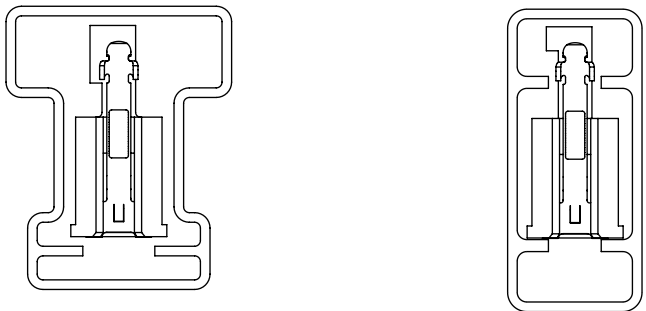


FIG 1  
ISDF-05-S-M SHOWN

FIG 2  
ISDF-07-S SHOWN  
(DIFFERENT AS SHOWN, OTHERWISE SAME AS FIG 1)

PACKAGING VIEW



POSITIONS -05 THRU -50  
 (AVAILABLE ON OPTION LEAVE BLANK & -M)  
 TUBE: PT-1-24-02-44  
 PLUG: TP-03

POSITIONS -03 & -04  
 (AVAILABLE ON OPTION LEAVE BLANK & -M)  
 TUBE: PT-1-24-05-29  
 PLUG: TP-03

NOTES:

1. Ⓢ REPRESENTS A CRITICAL DIMENSION.
2. LATCH RETENTION FORCE: .5 LB [2.22N].
3. PARTS TO BE PACKAGED IN TUBES EXCEPT 2 POSITION WILL BE LAYER PACKAGED.
4. ORDERS WILL BE PACKAGED ACCORDING TO THE SAMTEC PACKAGING EFFICIENCY STANDARDS (SPES) FOUND ON WWW.SAMTEC.COM

UNLESS OTHERWISE SPECIFIED, DIMENSIONS ARE IN INCHES.  
 TOLERANCES ARE:  
 DECIMALS .XX: ±.01 [.3]  
 .XXX: ±.005 [.13]  
 .XXXX: ±.0020 [.051]

PROPRIETARY NOTE  
 THIS DOCUMENT CONTAINS CONFIDENTIAL AND PROPRIETARY INFORMATION AND ALL DESIGN, MANUFACTURING, REPRODUCTION, USE, PATENT RIGHTS AND SALES RIGHTS ARE EXPRESSLY RESERVED BY SAMTEC, INC. THIS DOCUMENT SHALL NOT BE DISCLOSED, IN WHOLE OR PART, TO ANY UNAUTHORIZED PERSON OR ENTITY NOR REPRODUCED, TRANSFERRED OR INCORPORATED IN ANY OTHER PROJECT IN ANY MANNER WITHOUT THE EXPRESS WRITTEN CONSENT OF SAMTEC, INC.

MATERIAL: DO NOT SCALE DRAWING SHEET SCALE: 4:1  
 INSULATOR: LCP, UL 94V-0, COLOR: BLACK  
 LATCH: NICKEL-PLATED BeCu  
 BUTTON: NYLON, COLOR: WHITE

**samtec**  
 520 PARK EAST BLVD, NEW ALBANY, IN 47150  
 PHONE: 812-944-6733 FAX: 812-948-5047  
 e-Mail: info@SAMTEC.com code 55322

DESCRIPTION:  
 .050 [1.27] DISCRETE WIRE INSULATOR & LATCH ASM  
 DWG. NO. ISDF-XX-S-X  
 BY: GAYNOR 6/18/2008 SHEET 1 OF 1