

A

B

C

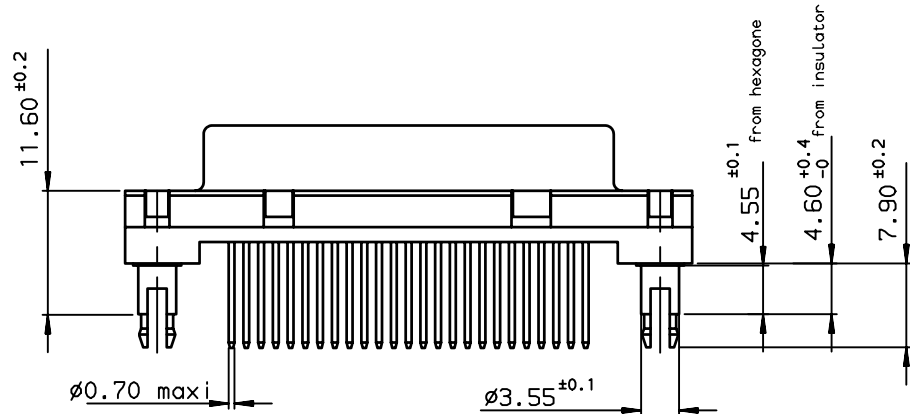
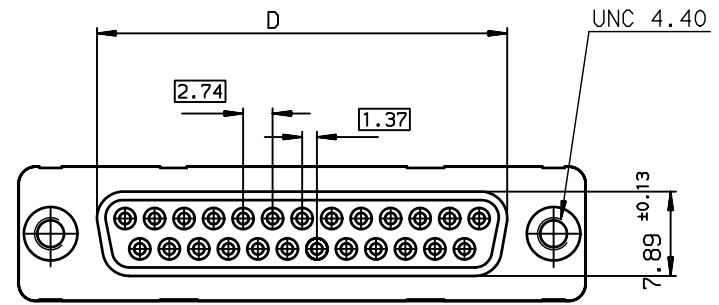
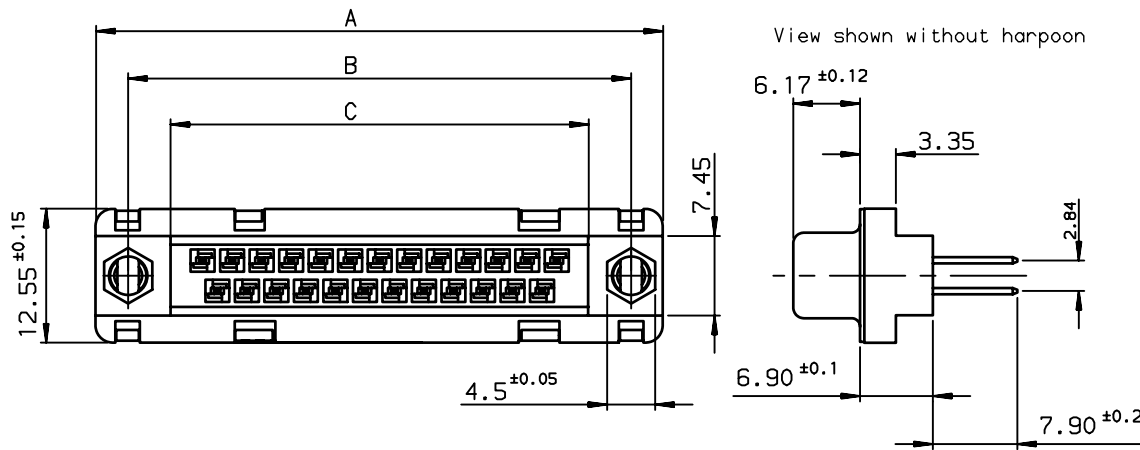
D

A

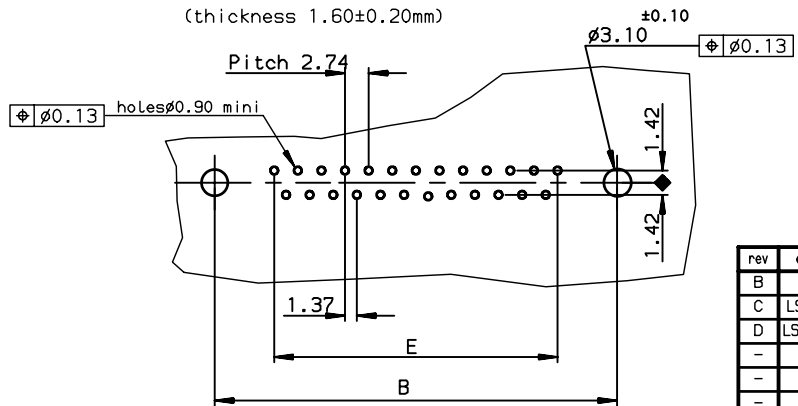
B

C

D



PC card drilling dimensions(after plating)
(thickness 1.60±0.20mm)



TIN LEAD PART NUMBER

SHELL	A±0.38	B±0.12	C±0.10	D±0.25	E±0.07	PART NUMBER
09	30.81	24.99	18.00	16.21	10.96	D09S54A4GX00
15	39.14	33.32	26.32	24.54	19.18	D15S54A4GX00
25	53.03	47.04	40.04	38.25	33.12	D25S54A4GX00
37	69.32	63.50	56.50	54.71	49.68	D37S54A4GX00

LEAD FREE PART NUMBER

SHELL	A±0.38	B±0.12	C±0.10	D±0.25	E±0.07	PART NUMBER
09	30.81	24.99	18.00	16.21	10.96	D09S54A4GX00LF
15	39.14	33.32	26.32	24.54	19.18	D15S54A4GX00LF
25	53.03	47.04	40.04	38.25	33.12	D25S54A4GX00LF
37	69.32	63.50	56.50	54.71	49.68	D37S54A4GX00LF

GENERAL CHARACTERISTICS AND ROHS INFORMATIONS:
SEE DRAWING C01-8646-0000

European Views

www.fciconnect.com		surface ISO 1302 ✓	tolerance std ISO 406 ISO 1101	projection mm
TOLERANCES UNLESS OTHERWISE SPECIFIED				
Dr	JARRY	1999/10/11	0.X ±0.1	size A3
Eng	PESSON	1999/10/11	0.XX ±0.1	Scale 2
Chr	LEGARE	1999/10/11	0.XXX ±0.1	ECN L506-0095
Appr	LEGARE	1999/10/11	Product family	D-SUB Spec ref -
FCJ		FEMALE CONNECTOR VERSION 54		Rev. D
title		straight solder type for PCB 1.60mm		dwg no C01-8646-0685
catalog no		-		CUSTOMER sheet 1 of 1

rev	ecn no	dr	date
B	-	JAR	1999/10/11
C	L505-001	MPE	2005/03/14
D	L506-0095	LGO	2006/07/20
-	-	-	-
-	-	-	-
-	-	-	-



Copyright FCJ.