

SMD SHIELDED POWER INDUCTOR

ASPI - 0602S

 RoHS / RoHS II Compliant



6.7 x 6.7 x 3.0mm

FEATURES:

- Compact size: 6.7 x 6.7 x 3.0mm
- Magnetically shielded, surface mount inductor
- Large DC current & low DC resistance

APPLICATIONS:

- Excellent for power line DC-DC
- Conversion applications used in hard disk notebook computers and other electronic equipment .

ELECTRICAL SPECIFICATIONS:

Operating Temperature: -40°C to +125°C (including self-generated heat)

Storage Temperature: -40°C to +125°C

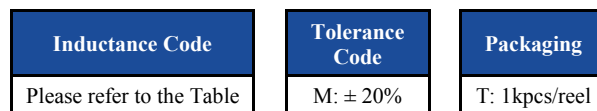
Part Number ASPI-0602S- Inductance Code	Inductance (μ H)	Tolerance (%)	DC Resistance Max (Ω)	IDC Max (A)
ASPI-0602S-3R0	3.0	M	0.024	3.00
ASPI-0602S-3R3	3.3	M	0.040	3.00
ASPI-0602S-3R9	3.9	M	0.027	2.60
ASPI-0602S-5R0	5.0	M	0.031	2.40
ASPI-0602S-6R0	6.0	M	0.035	2.25
ASPI-0602S-7R3	7.3	M	0.054	2.10
ASPI-0602S-8R6	8.6	M	0.058	1.85
ASPI-0602S-100	10	M	0.065	1.70
ASPI-0602S-120	12	M	0.070	1.55
ASPI-0602S-150	15	M	0.084	1.40
ASPI-0602S-180	18	M	0.095	1.32
ASPI-0602S-220	22	M	0.128	1.20
ASPI-0602S-270	27	M	0.142	1.05
ASPI-0602S-330	33	M	0.165	0.97
ASPI-0602S-390	39	M	0.210	0.86
ASPI-0602S-470	47	M	0.238	0.80
ASPI-0602S-560	56	M	0.277	0.73
ASPI-0602S-680	68	M	0.304	0.65
ASPI-0602S-820	82	M	0.390	0.60
ASPI-0602S-101	100	M	0.535	0.54

Test Conditions

1. Inductance: 10kHz, 0.25V
2. IDC: Inductance decreases to 65% of initial value or temperature of coil increased by 30°C

OPTIONS AND PART IDENTIFICATION:

ASPI-0602S - -



SMD SHIELDED POWER INDUCTOR



6.7 x 6.7 x 3.0mm

ASPI - 0602S

RoHS / RoHS II Compliant

OUTLINE DIMENSION:

Recommended Land Pattern

A	B	C	D	E	F
6.7±0.3	6.7±0.3	3.0 max.	2.65	2.00	7.30

Dimension: mm

REFLOW PROFILE:

Zone	Description	Temperature	Time
1	Preheat / Soak	$T_{S\text{MAX}}$ 120°C ~ 180°C	50 ~ 150 sec.
2	Reflow	T_L 217°C	90 sec.
3	Peak heat	T_P 255°C ~ 260°C	10 ~ 30 sec. MAX

SMD SHIELDED POWER INDUCTOR

ASPI - 0602S

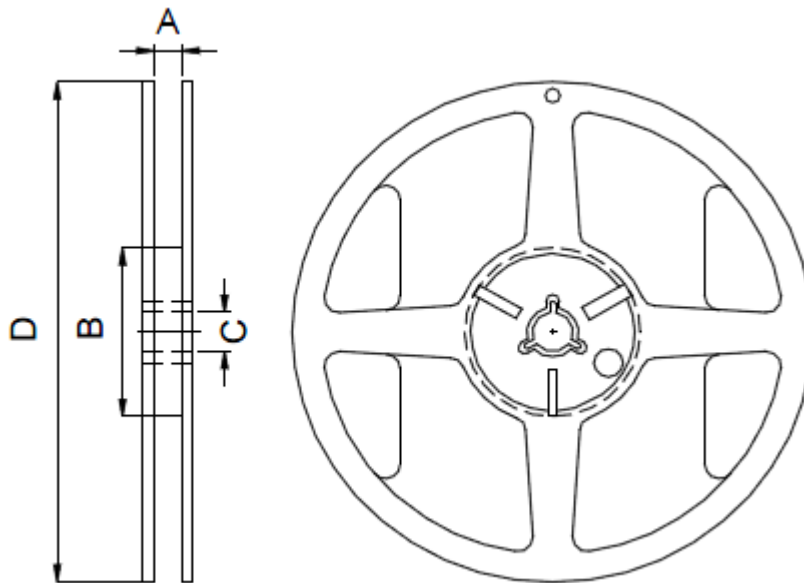
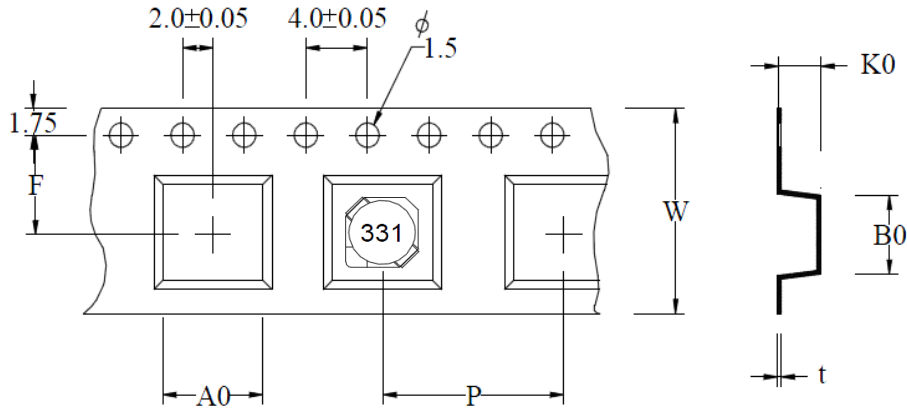
 RoHS / RoHS II Compliant



6.7 x 6.7 x 3.0mm

TAPE & REEL:

T= tape and reel (1,000pcs/reel)



A0	B0	K0	P	F	W	t	A	B	C	D
7.0±0.1	7.0±0.1	3.3±0.1	12±0.1	7.5±0.1	16±0.3	0.35±0.05	16.5±0.2	100±0.5	13.2±0.3	330±1.0

Dimension: mm

ATTENTION: Abracon LLC's products are COTS – Commercial-Off-The-Shelf products; suitable for Commercial, Industrial and, where designated, Automotive Applications. Abracon's products are not specifically designed for Military, Aviation, Aerospace, Life-dependent Medical applications or any application requiring high reliability where component failure could result in loss of life and/or property. For applications requiring high reliability and/or presenting an extreme operating environment, written consent and authorization from Abracon LLC is required. Please contact Abracon LLC for more information.