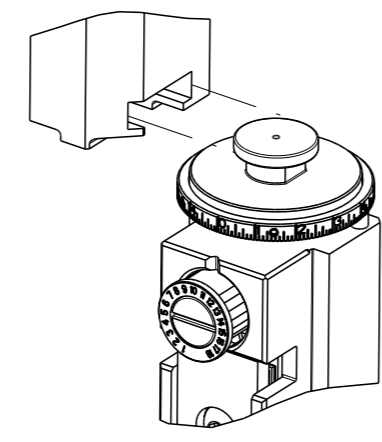


| PART NUMBER | REVISION | DESCRIPTION | FEED TYPE |
|-------------|----------|----------------------------------|------------|
| 2266826-1 | B | FINE CRIMP HEIGHT ADJUST | MECHANICAL |
| 2266826-2 | B | FINE CRIMP HEIGHT ADJUST | PNEUMATIC |
| 7-2266826-1 | B | MECHANICAL AND CRIMP TOOLING KIT | MECHANICAL |
| 7-2266826-2 | B | PNEUMATIC AND CRIMP TOOLING KIT | PNEUMATIC |
| 7-2266826-7 | A | CRIMP TOOLING KIT | - |

ATLANTIC VERSION TERMINATOR INTERFACE ADAPTER

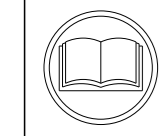


| APPLICATOR DATA | | |
|-----------------|----------------|------|
| CRIMP | SIZE | TYPE |
| WIRE | 1.45 mm [.057] | F |
| INSUL | 1.75 mm [.069] | O |

APPLICATOR INSTRUCTIONS 408-35042

| TERMINAL DATA: DELPHI TERMINAL TE CRIMP SPECIFICATION | | | |
|---|-----------------|------------------------------|-----------------|
| TERMINAL NAME: TAXI TERMINAL F SOCKET 1.0 SEALED | | | |
| WIRE STRIP LENGTH | | INSULATION DIAMETER RANGE | |
| 3.70-4.46 mm [.146-.176 IN] | | Ø1.45-1.88 mm [.057-.074 IN] | |
| TERMINAL APPLICATION SPECIFICATION | NONE | | |
| TERMINALS APPLIED | | | |
| TE TERMINAL | DELPHI TERMINAL | TE TERMINAL | DELPHI TERMINAL |
| 2113723-1 | 13551420 | | |

| WIRE SIZE | CRIMP HEIGHT mm [INCH] | CRIMP HEIGHT REFERENCE SETTING |
|-----------|-------------------------------|--------------------------------|
| 0.50mm2 | 0.90 +/- 0.05 [.035 +/- .002] | 4.1 |
| 0.35mm2 | 0.80 +/- 0.05 [.031 +/- .002] | 5.2 |



- 1 RECOMMENDED SPARE PARTS
- 2 REFER TO SUPPLIED INSTRUCTION SHEET FOR CLEANING, LUBRICATION AND STORAGE OF APPLICATOR.
- 3 APPLY PART NUMBER 2-23419-6 LOCTITE TO THREADS OF ITEM 242.
- 4 CRIMP HEIGHT REFERENCE SETTING WAS THE SETTING USED WHEN THE APPLICATOR WAS QUALIFIED AT THE FACTORY. ADJUSTMENT MAY BE NECESSARY WHEN RUNNING APPLICATOR IN THE FIELD.
- 5 CUT TO LENGTH AT ASSEMBLY.
- 6. UNLESS SPECIFIED OTHERWISE TORQUE VALUES SHALL BE USED PER DOCUMENT, 101-35000.

***WARNING**
ON INSTALLATION, SET WIRE DISC TO CRIMP HEIGHT REFERENCE SETTING FOR LARGEST WIRE SIZE. CRIMP HEIGHT REFERENCE SETTINGS GREATER THAN THE VALUE SHOWN MAY CAUSE DAMAGE TO THE CRIMP TOOLING, REFER TO THE INSTRUCTION SHEET FOR PROPER SETUP AND ADJUSTMENTS.

ATLANTIC VERSION
Shown on sheets 1 of 4 & 2 of 4
(Pacific version shown on sheets 3 of 4 & 4 of 4)

| LOC | DIST | REVISIONS | | | | | |
|-----|------|-----------|-----|---------------|-----------|-----|------|
| | | P | LY# | DESCRIPTION | DATE | OWN | APVD |
| A | 66 | 1 | | ORIGINAL | 23JUN2015 | GH | TE |
| | | A | | RELEASED | 19NOV2015 | GH | TE |
| | | B | | ECR-20-006707 | 11MAY2020 | FJ | TE |

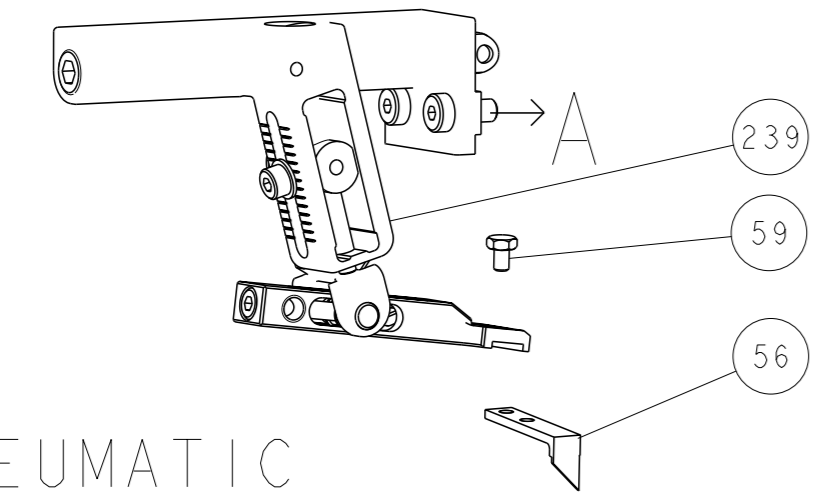
| | | | | | | | | |
|---|-----|-----|-----|-----|-------------|-------------------------------------|-----------------------|---|
| - | 1 | - | 1 | - | 2119641-1 | FEED CAM, AIR FEED | 248 | |
| - | 1 | 1 | 1 | 1 | 2119082-5 | CAM, SNAIL, INSULATION ADJUSTMENT | 244 | |
| - | 1 | 1 | 1 | 1 | 2079764-1 | WASHER, WAVE SPRING, CREST-TO-CREST | 243 | |
| 3 | - | 1 | 1 | 1 | 2119083-1 | RETAINER, INSULATION DIAL | 242 | |
| - | 1 | 1 | 1 | 1 | 7-18023-7 | SCR, SKT HD CAP M3 X 4.0 | 241 | |
| - | - | 1 | - | 1 | 2119580-1 | MECHANICAL FEED ASSEMBLY | 239 | |
| - | 1 | - | 1 | - | 2844940-1 | AIR FEED MODULE | 238 | |
| - | REF | REF | REF | REF | 994970-2 | COUNTER, MAGNETIC | 164 | |
| - | 1 | 1 | 1 | 1 | 2844908-1 | SCREW, LOCKING | 99 | |
| - | 1 | 1 | 1 | 1 | 2844907-1 | POST, LOCKING | 98 | |
| - | 1 | 1 | 1 | 1 | 455888-5 | SPACER, CRIMPER | 82 | |
| - | 1 | 1 | 1 | 1 | 1803607-3 | DOCUMENTATION PACKAGE | 71 | |
| - | 1 | 1 | 1 | 1 | 2119791-5 | DEPRESSOR, WIRE | 70 | |
| - | 1 | 1 | 1 | 1 | 2119740-1 | TAG, IDENTIFICATION | 67 | |
| - | 2 | 2 | 2 | 2 | 2168078-1 | SCREW, DRIVE, RH, RoHS, 2 x .188 | 66 | |
| - | 1 | 1 | 1 | 1 | 2168083-2 | SCR, SKT HD CAP, RoHS, M4 X 8.0 | 60 | |
| - | 1 | 1 | 1 | 1 | 5-18022-5 | SCR, HEX HD CAP, M4 X 6.0 | 59 | |
| - | 1 | 1 | 1 | 1 | 1338685-1 | PAWL, FEED | 56 | |
| 5 | - | 4 | 4 | 4 | 2168083-3 | SCR, SKT HD CAP, RoHS, M4 X 12.0 | 54 | |
| - | 2 | 2 | 2 | 2 | 2168083-8 | SCR, SKT HD CAP, RoHS, M4 X 16 | 53 | |
| - | 1 | 1 | 1 | 1 | 5018030-1 | NUT, HEX, REG, RoHS, M3 | 52 | |
| - | 1 | 1 | 1 | 1 | 811242-5 | BUMPER, HOLD DOWN | 51 | |
| - | 1 | 1 | 1 | 1 | 690753-2 | SPACER, TONKER | 50 | |
| - | 1 | 2 | 1 | 2 | 18023-9 | SCR, SKT HD CAP M4 X 6.0 | 49 | |
| - | - | 1 | - | 1 | 2119652-1 | FEED CAM, PRE FEED | 48 | |
| - | - | 1 | - | 1 | 2119653-1 | FEED CAM, POST FEED | 47 | |
| - | 1 | 1 | 1 | 1 | 1803583-9 | APPLICATOR BASIC ASSEMBLY, SF | 46 | |
| - | 1 | 1 | 1 | 1 | 1803515-1 | RAM ASSEMBLY, SF ATLANTIC | 44 | |
| - | 1 | 1 | 1 | 1 | 1803602-1 | SCR, BHSC, RoHS (M8 X 25) | 41 | |
| - | 1 | 1 | 1 | 1 | 1-1752356-8 | SUPPORT, TERMINAL | 34 | |
| - | 2 | 2 | 2 | 2 | 2079383-5 | SCR, BHSC, RoHS (M4 X 20) | 33 | |
| - | 2 | 2 | 2 | 2 | 2-2844962-6 | SPACER, CYLINDRICAL, STRIP GUIDE | 30 | |
| - | 1 | 1 | 1 | 1 | 2844992-1 | ASSEMBLY, STRIP GUIDE | 29 | |
| - | 1 | 1 | 1 | 1 | 1320928-2 | STRIP GUIDE | 24 | |
| - | 1 | 1 | 1 | 1 | 2168083-2 | SCR, SKT HD CAP, RoHS, M4 X 8.0 | 21 | |
| - | 2 | 2 | 2 | 2 | 1-18028-2 | WASHER, FLAT, REG M4 | 20 | |
| - | 1 | 1 | 1 | 1 | 2119533-1 | STRIPPER, SIDE FEED | 19 | |
| 1 | - | 1 | 1 | 1 | 2119806-1 | INSERT, SHEAR | 13 | |
| - | 1 | 1 | 1 | 1 | 3-22280-3 | SPRING, COMPRESSION | 12 | |
| - | 1 | 1 | 1 | 1 | 1-356885-4 | STOP, SHEAR | 11 | |
| 1 | - | 1 | 1 | 1 | 2119805-1 | SHEAR HOLDER, FRONT | 10 | |
| 1 | - | 1 | 1 | 1 | 1803095-3 | FLOATING SHEAR, FRONT | 9 | |
| 1 | 1 | 2 | 2 | 1 | 1 | 5-1803171-1 | ANVIL, COMBINATION | 8 |
| - | 1 | 1 | 1 | 1 | 240641-5 | SPACER | 7 | |
| - | - | - | - | - | - | - | 6 | |
| - | 1 | 1 | 1 | 1 | 2119757-4 | DEPRESSOR, SHEAR | 5 | |
| - | 1 | 1 | 1 | 1 | 2-238011-2 | BLOCK, CRIMPER SPACER | 4 | |
| 1 | 1 | 2 | 2 | 1 | 1 | 5-1803018-8 | CRIMPER, INSULATION O | 3 |
| - | 1 | 1 | 1 | 1 | 455888-6 | SPACER, CRIMPER | 2 | |
| 1 | 1 | 2 | 2 | 1 | 1 | 4-1633305-8 | CRIMPER, WIRE PREMIUM | 1 |
| - | 77 | -72 | -71 | -2 | -1 | PART NO | ITEM NO | |

| DIMENSIONS: | | TOLERANCES UNLESS OTHERWISE SPECIFIED: | | APPROVED: | | NAME: | |
|-------------|---------|--|---------|-----------|---------|-----------------|---------------|
| mm | 0 PLC ± | 1 PLC ± | 2 PLC ± | 3 PLC ± | 4 PLC ± | APPLICATOR SPEC | RESTRICTED TO |
| | ANGLES | FINISH | | WEIGHT | | | |
| MATERIAL | | | | | | | |

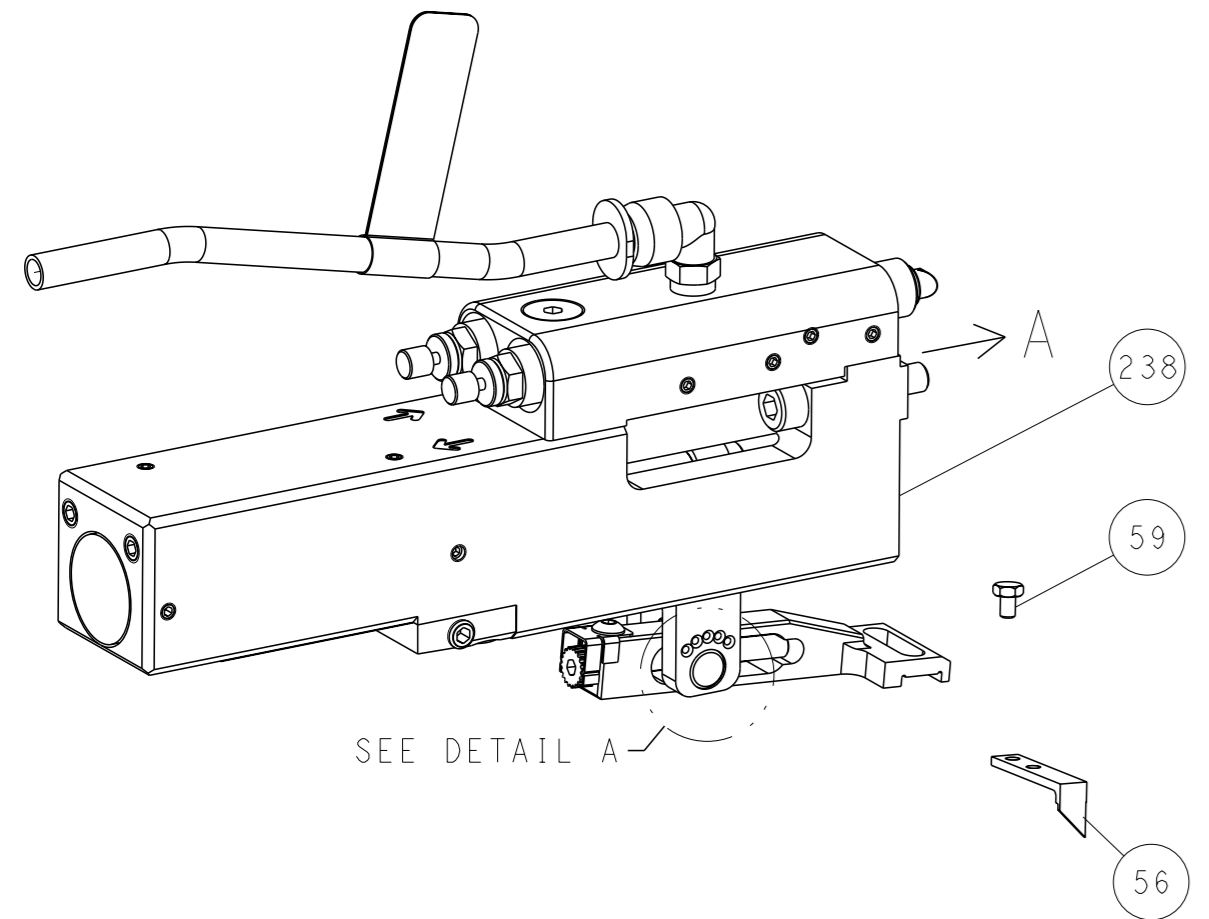
Customer Accessible Production Drawing SCALE 1:2 SHEET 1 OF 4 REV B

| LOC | DIST | REVISIONS | | | |
|-----|------|-------------|------|-----|------|
| A | 66 | REV | DATE | OWN | APVD |
| - | - | SEE SHEET 1 | - | - | - |

FEED TYPE MECHANICAL



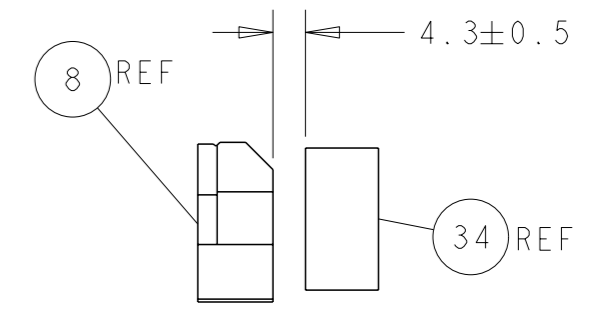
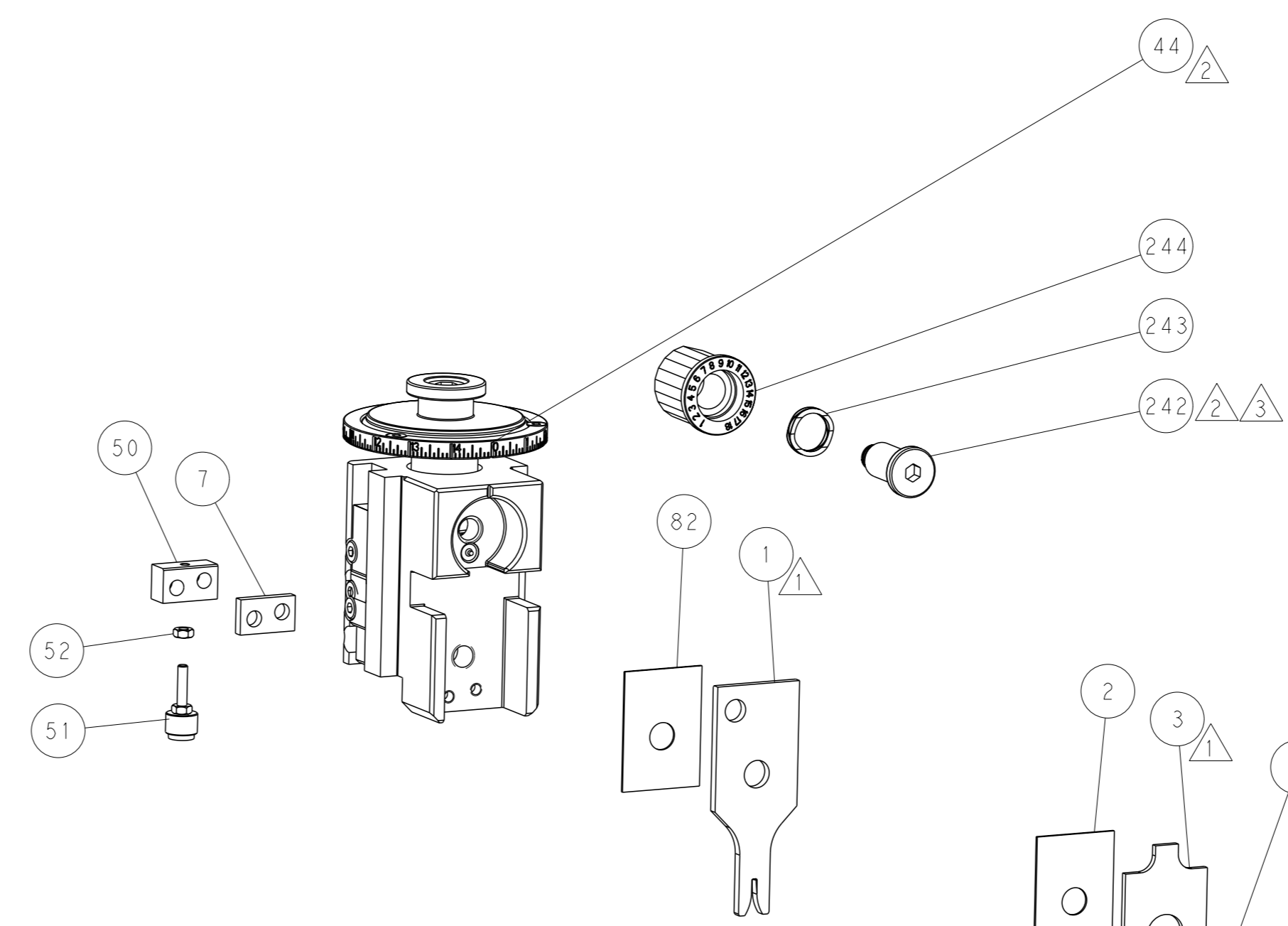
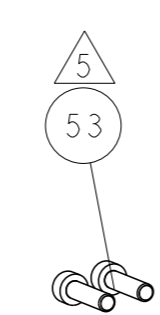
PNEUMATIC



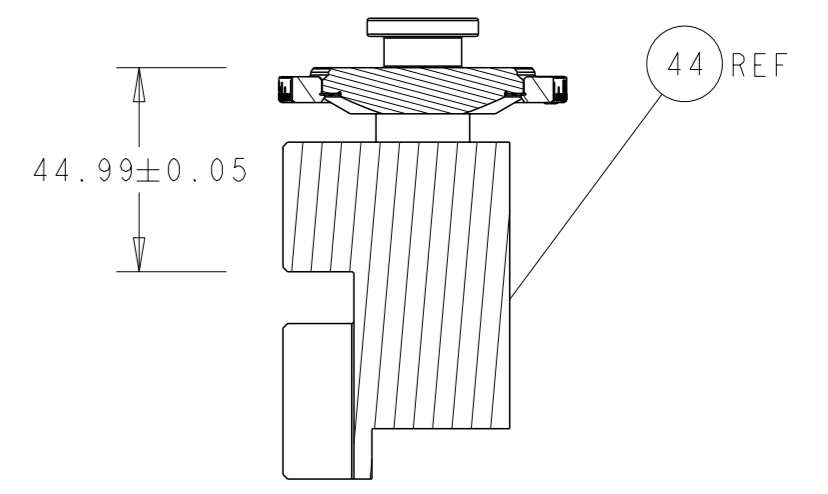
FEED SPRING SETTING POSITION (SHOWN FROM REAR SIDE)



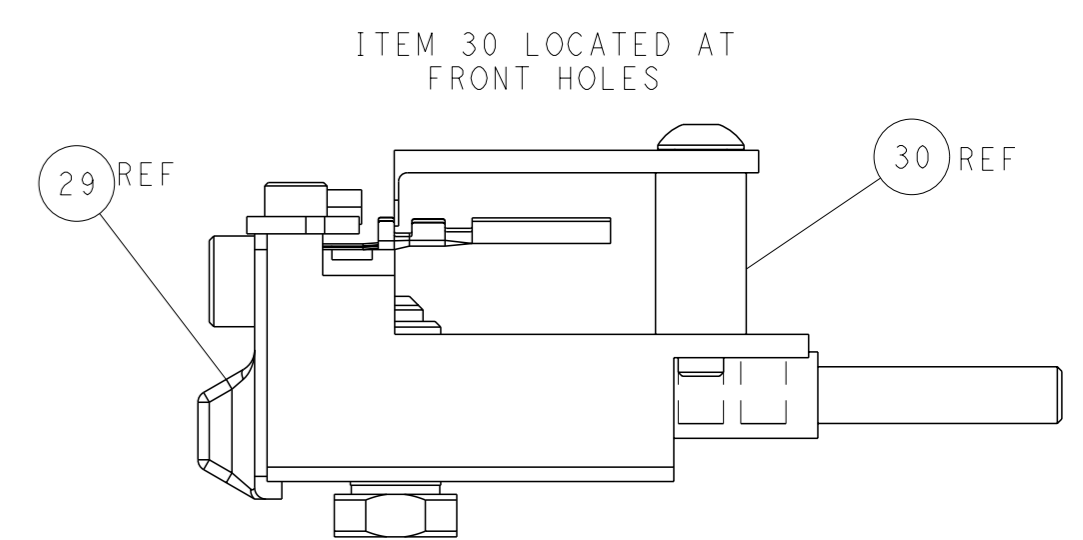
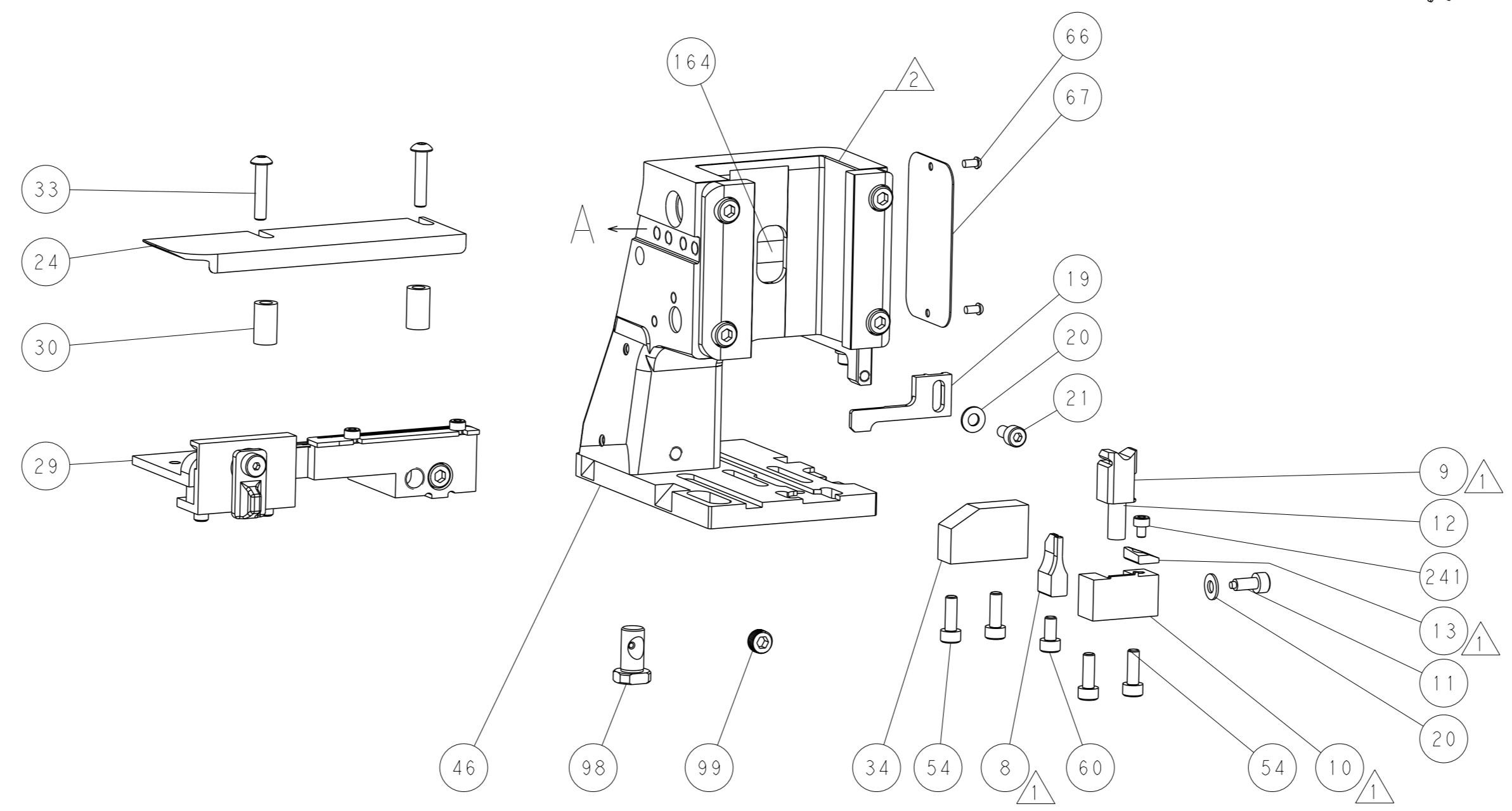
DETAIL A



TERMINAL SUPPORT LOCATION

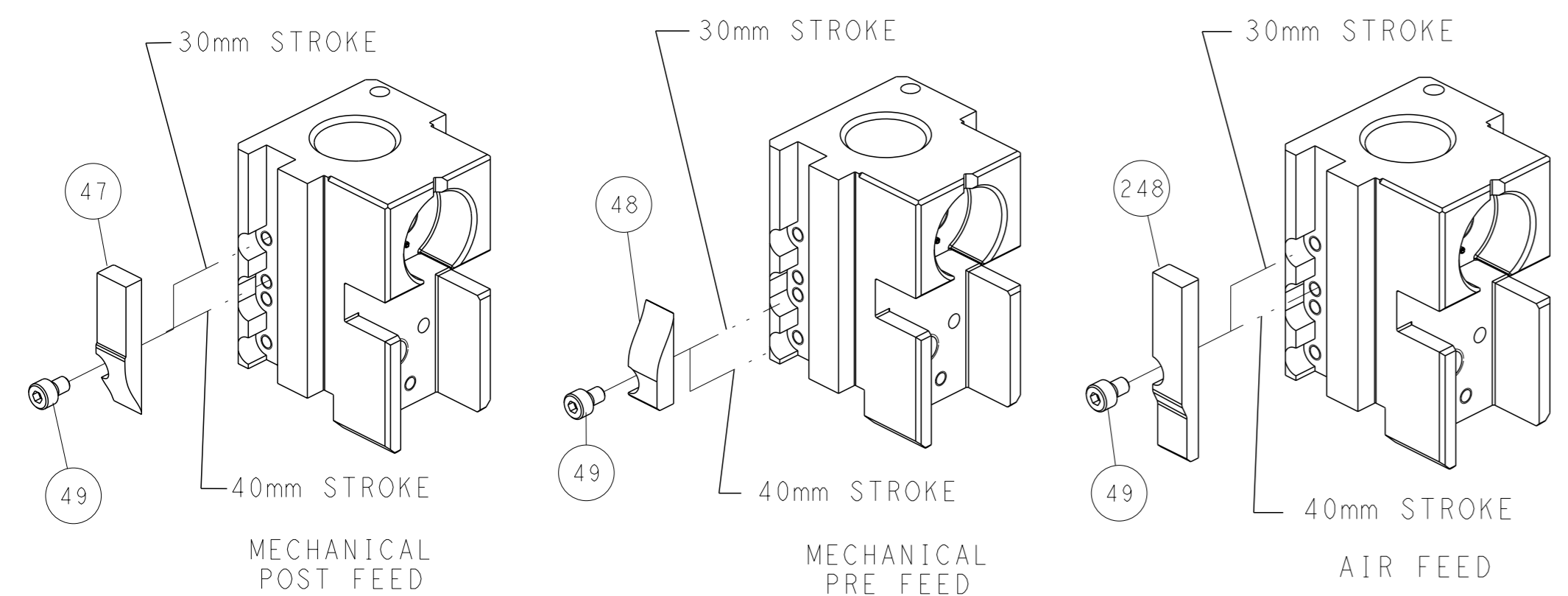


RAM SET-UP



FEED TRACK POSITION GUIDE BY INSULATION BARREL

CAM POSITIONS

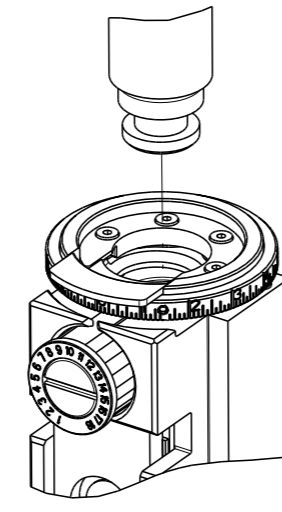


ATLANTIC VERSION
 Shown on sheets 1 of 4 & 2 of 4
 (Pacific version shown on sheets 3 of 4 & 4 of 4)

| | | | | |
|---|-----------|--|---|--|
| <small>THIS DRAWING IS A CONTROLLED DOCUMENT FOR TYCO ELECTRONICS CORPORATION. IT IS SUBJECT TO CHANGE AND THE CONTROL AND RESTRICTION DESIGNATION SHOULD BE CONTACTED FOR THE LATEST REVISION.</small> | | OWN: HOFFNER 22JUNE2015 CHK: TELBIN 23JUNE2015 APVD: TELBIN 23JUNE2015 | NAME: Ocean Side Feed Applicator SIZE: A1 CAGE CODE: 00779 DRAWING NO: 2266826 | TE Connectivity Harrisburg, PA 17105-3608 |
| DIMENSIONS: mm TOLERANCES UNLESS OTHERWISE SPECIFIED: 0 PLC ± 1 PLC ± 2 PLC ± 3 PLC ± 4 PLC ± ANGLES ° ± | MATERIAL: | WEIGHT: | RESTRICTED TO: | SCALE: 1:2 SHEET 2 of 4 REV B |

| THIS DRAWING IS UNPUBLISHED. | RELEASED FOR PUBLICATION | | |
|--|--------------------------|--------------------------|------------|
| COPYRIGHT 20 BY TYCO ELECTRONICS CORPORATION. ALL RIGHTS RESERVED. | | | |
| PART NUMBER | REVISION | DESCRIPTION | FEED TYPE |
| 2-2266826-1 | B | FINE CRIMP HEIGHT ADJUST | MECHANICAL |
| 2-2266826-2 | B | FINE CRIMP HEIGHT ADJUST | PNEUMATIC |
| 7-2266826-7 | A | CRIMP TOOLING KIT | - |

PACIFIC VERSION TERMINATOR
INTERFACE ADAPTER



| APPLICATOR DATA | | |
|--------------------------------------|----------------|------|
| CRIMP | SIZE | TYPE |
| WIRE | 1.45 mm [.057] | F |
| INSUL | 1.75 mm [.069] | O |
| APPLICATOR INSTRUCTIONS 408-35042 | | |

| | | | |
|--|-----------------|---|-----------------|
| TERMINAL DATA: DELPHI TERMINAL | | TE CRIMP SPECIFICATION | |
| TERMINAL NAME: TAXI TERMINAL F SOCKET 1.0 SEALED | | | |
| WIRE STRIP LENGTH 3.70-4.46 mm [.146-.176 IN] | | INSULATION DIAMETER RANGE Ø1.45-1.88 mm [.057-.074 IN] | |
| TERMINAL APPLICATION SPECIFICATION | NONE | - | - |
| TERMINALS APPLIED | | | |
| TE TERMINAL | DELPHI TERMINAL | TE TERMINAL | DELPHI TERMINAL |
| 2113723-1 | 13551420 | | |

| WIRE SIZE | CRIMP HEIGHT mm [INCH] | CRIMP HEIGHT REFERENCE SETTING |
|-----------|-------------------------------|--------------------------------|
| 0.50mm2 | 0.90 +/- 0.05 [.035 +/- .002] | 4.1 |
| 0.35mm2 | 0.80 +/- 0.05 [.031 +/- .002] | 5.2 |



- 1 RECOMMENDED SPARE PARTS
- 2 REFER TO SUPPLIED INSTRUCTION SHEET FOR CLEANING, LUBRICATION AND STORAGE OF APPLICATOR.
- 3 APPLY PART NUMBER 2-23419-6 LOCTITE TO THREADS OF ITEM 242.
- 4 CRIMP HEIGHT REFERENCE SETTING WAS THE SETTING USED WHEN THE APPLICATOR WAS QUALIFIED AT THE FACTORY. ADJUSTMENT MAY BE NECESSARY WHEN RUNNING APPLICATOR IN THE FIELD.
- 5 CUT TO LENGTH AT ASSEMBLY.
- 6 UNLESS SPECIFIED OTHERWISE TORQUE VALUES SHALL BE USED PER DOCUMENT, 101-35000.

***WARNING**
ON INSTALLATION, SET WIRE DISC TO CRIMP HEIGHT REFERENCE SETTING FOR LARGEST WIRE SIZE. CRIMP HEIGHT REFERENCE SETTINGS GREATER THAN THE VALUE SHOWN MAY CAUSE DAMAGE TO THE CRIMP TOOLING, REFER TO THE INSTRUCTION SHEET FOR PROPER SETUP AND ADJUSTMENTS.

PACIFIC VERSION
Shown on sheets 3 of 4 & 4 of 4
(Atlantic version shown on sheets 1 of 4 & 2 of 4)

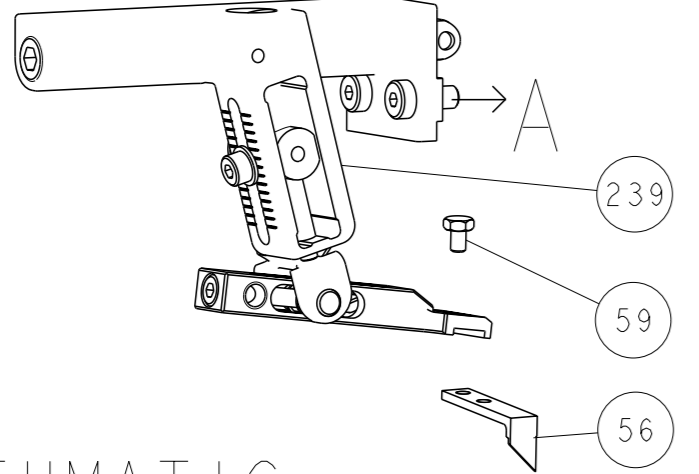
| LOC | DIST | REVISIONS | | | |
|-----|------|-----------|-------------|----|------|
| A | 66 | REV | DATE | BY | APPV |
| | | - | SEE SHEET 1 | - | - |

| | | | | | | |
|---|-----|-----|-------------|-------------------------------------|--------------------------------|-----|
| - | 1 | 1 | 2119082-5 | CAM, SNAIL, INSULATION ADJUSTMENT | 244 | |
| - | 1 | 1 | 2079764-1 | WASHER, WAVE SPRING, CREST-TO-CREST | 243 | |
| 3 | - | 1 | 1 | 2119083-1 | RETAINER, INSULATION DIAL | 242 |
| - | 1 | 1 | 7-18023-7 | SCR, SKT HD CAP M3 X 4.0 | 241 | |
| - | - | 1 | 2119580-1 | MECHANICAL FEED ASSEMBLY | 239 | |
| - | 1 | - | 2844940-1 | AIR FEED MODULE | 238 | |
| - | REF | REF | 994970-2 | COUNTER, MAGNETIC | 164 | |
| - | 1 | - | 2119641-2 | FEED CAM, AIR FEED | 151 | |
| - | 1 | 1 | 2168083-8 | SCR, SKT HD CAP, RoHS, M4 X 16 | 144 | |
| - | 4 | 4 | 2168083-9 | SCR, SKT HD CAP, RoHS, M4 X 20 | 143 | |
| - | - | 1 | 2119653-2 | FEED CAM, POST FEED | 142 | |
| - | 1 | 1 | 1-1803583-0 | APPLICATOR BASIC ASSEMBLY, SF | 141 | |
| - | 1 | 1 | 1803516-1 | RAM ASSEMBLY, SF PACIFIC | 140 | |
| - | 1 | 1 | 2844908-1 | SCREW, LOCKING | 99 | |
| - | 1 | 1 | 2844907-1 | POST, LOCKING | 98 | |
| - | 1 | 1 | 455888-5 | SPACER, CRIMPER | 82 | |
| - | 1 | 1 | 1803607-3 | DOCUMENTATION PACKAGE | 71 | |
| - | 1 | 1 | 2119791-5 | DEPRESSOR, WIRE | 70 | |
| - | 1 | 1 | 2119740-1 | TAG, IDENTIFICATION | 67 | |
| - | 2 | 2 | 2168078-1 | SCREW, DRIVE, RH, RoHS, 2 x .188 | 66 | |
| - | 1 | 1 | 5-18022-5 | SCR, HEX HD CAP, M4 X 6.0 | 59 | |
| - | 1 | 1 | 1338685-1 | PAWL, FEED | 56 | |
| 5 | - | 2 | 2 | 2168083-8 | SCR, SKT HD CAP, RoHS, M4 X 16 | 53 |
| - | 1 | 1 | 5018030-1 | NUT, HEX, REG, RoHS, M3 | 52 | |
| - | 1 | 1 | 811242-5 | BUMPER, HOLD DOWN | 51 | |
| - | 1 | 1 | 690753-2 | SPACER, TONKER | 50 | |
| - | 1 | 2 | 18023-9 | SCR, SKT HD CAP M4 X 6.0 | 49 | |
| - | - | 1 | 2119652-1 | FEED CAM, PRE FEED | 48 | |
| - | 1 | 1 | 1803602-1 | SCR, BHSC, RoHS (M8 X 25) | 41 | |
| - | 1 | 1 | 1-1752356-8 | SUPPORT, TERMINAL | 34 | |
| - | 2 | 2 | 2079383-5 | SCR, BHSC, RoHS (M4 X 20) | 33 | |
| - | 2 | 2 | 2-2844962-6 | SPACER, CYLINDRICAL, STRIP GUIDE | 30 | |
| - | 1 | 1 | 2844992-1 | ASSEMBLY, STRIP GUIDE | 29 | |
| - | 1 | 1 | 1320928-2 | STRIP GUIDE | 24 | |
| - | 1 | 1 | 2168083-2 | SCR, SKT HD CAP, RoHS, M4 X 8.0 | 21 | |
| - | 2 | 2 | 1-18028-2 | WASHER, FLAT, REG M4 | 20 | |
| - | 1 | 1 | 2119533-1 | STRIPPER, SIDE FEED | 19 | |
| 1 | - | 1 | 2119806-1 | INSERT, SHEAR | 13 | |
| - | 1 | 1 | 3-22280-3 | SPRING, COMPRESSION | 12 | |
| - | 1 | 1 | 1-356885-4 | STOP, SHEAR | 11 | |
| 1 | - | 1 | 2119805-1 | SHEAR HOLDER, FRONT | 10 | |
| 1 | - | 1 | 1803095-3 | FLOATING SHEAR, FRONT | 9 | |
| 1 | 1 | 1 | 5-1803171-1 | ANVIL, COMBINATION | 8 | |
| - | 1 | 1 | 240641-5 | SPACER | 7 | |
| - | - | - | - | - | 6 | |
| - | 1 | 1 | 2119757-4 | DEPRESSOR, SHEAR | 5 | |
| - | 1 | 1 | 2-238011-2 | BLOCK, CRIMPER SPACER | 4 | |
| 1 | 1 | 1 | 5-1803018-8 | CRIMPER, INSULATION O | 3 | |
| - | 1 | 1 | 455888-6 | SPACER, CRIMPER | 2 | |
| 1 | 1 | 1 | 4-1633305-8 | CRIMPER, WIRE PREMIUM | 1 | |
| - | 77 | -22 | -21 | PART NO | ITEM NO | |

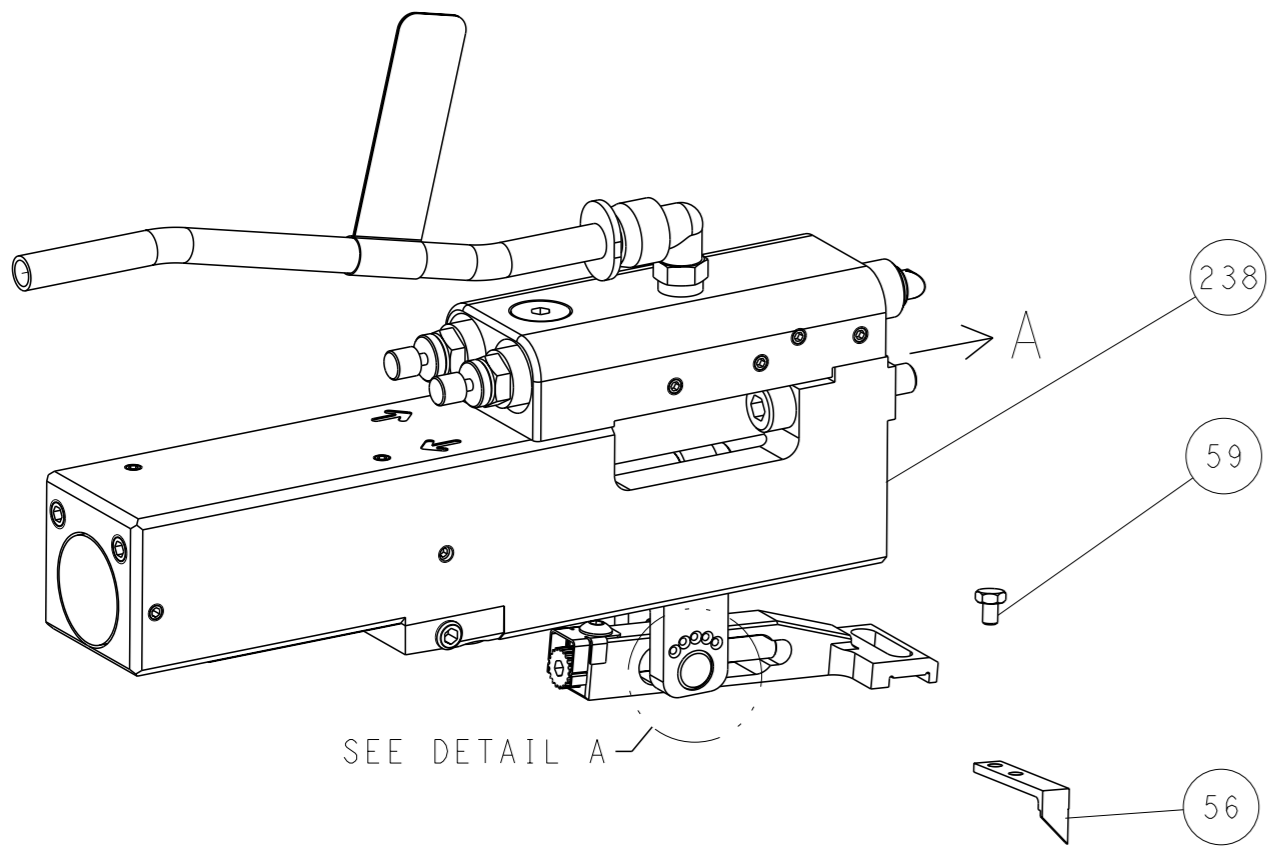
| | | | |
|---|--|--|---|
| <small>THE DRAWING IS UNPUBLISHED. IT IS SUBJECT TO CHANGE AND THE USER SHALL BE RESPONSIBLE FOR VERIFYING THE DIMENSIONS AND TOLERANCES SHOWN ON THIS DRAWING. DIMENSIONS SHOULD BE CONTACTED FOR THE LATEST REVISION.</small> | | OWN: HOFFNER 22JUNE2015 CHK: T. ELBIN 23JUNE2015 APVD: T. ELBIN 23JUNE2015 | TE Connectivity Harrisburg, PA 17105-3608 |
| DIMENSIONS: mm 0 PLC ± 1 PLC ± 2 PLC ± 3 PLC ± 4 PLC ± ANGLES FINISH ± | | TOLERANCES UNLESS OTHERWISE SPECIFIED: ± ± ± ± ± | NAME: Ocean Side Feed Applicator SIZE: A1 CAGE CODE: 00779 DRAWING NO: 2266826 RESTRICTED TO: - |
| MATERIAL: - FINISH: - | | WEIGHT: - SCALE: 1:2 SHEET: 3 OF 4 REV: B | Customer Accessible Production Drawing |

| LOC | | DIST | | REVISIONS | | | |
|-----|----|------|-----|-------------|------|-----|------|
| A | 66 | P | LYR | DESCRIPTION | DATE | OWN | APVD |
| | | - | | SEE SHEET 1 | - | - | - |

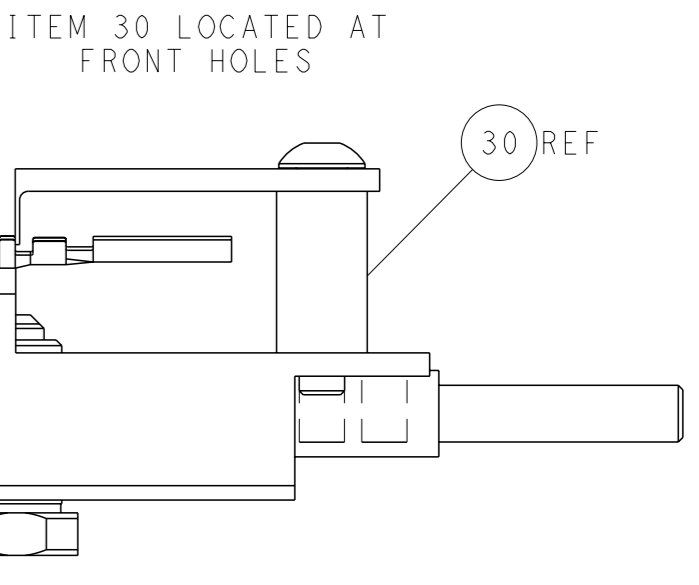
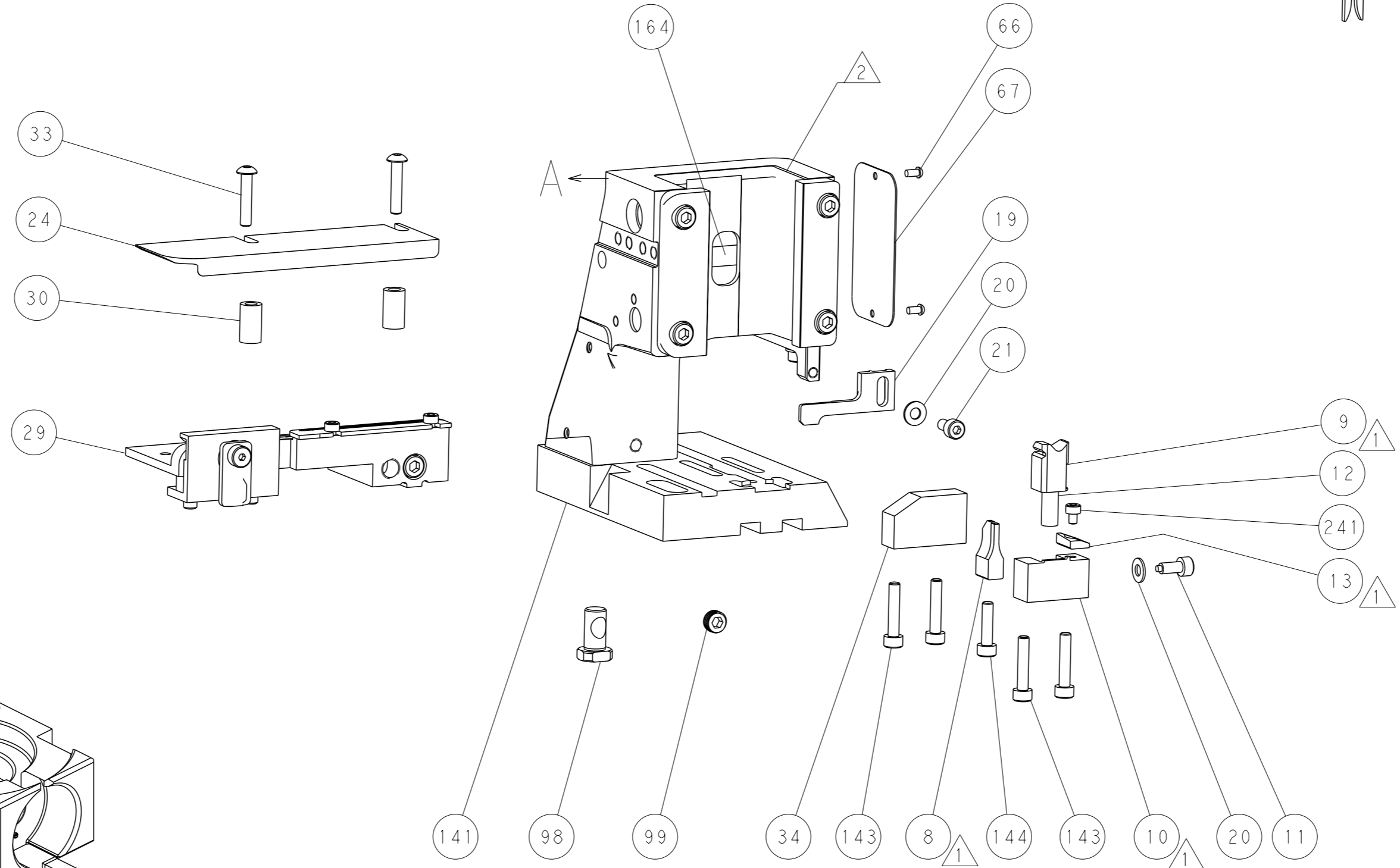
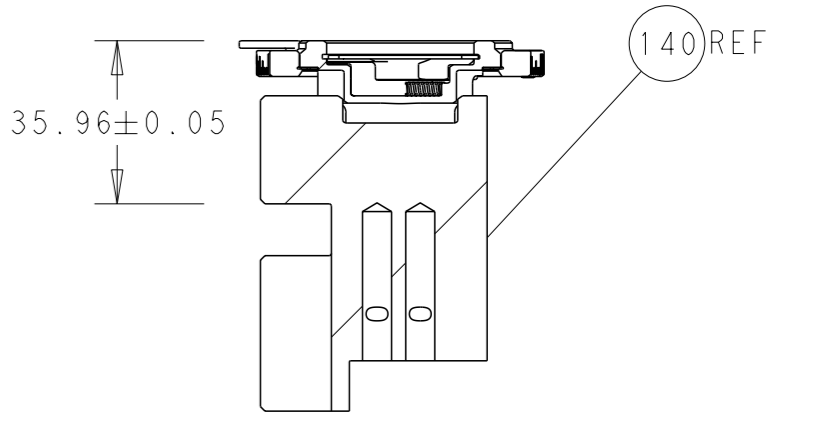
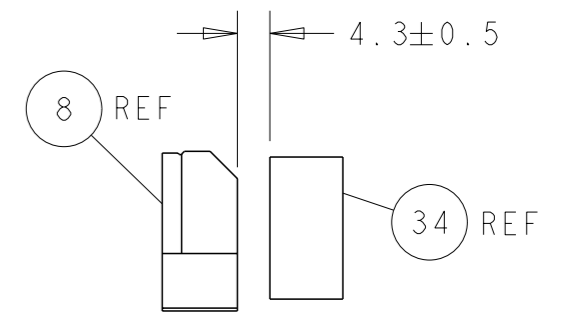
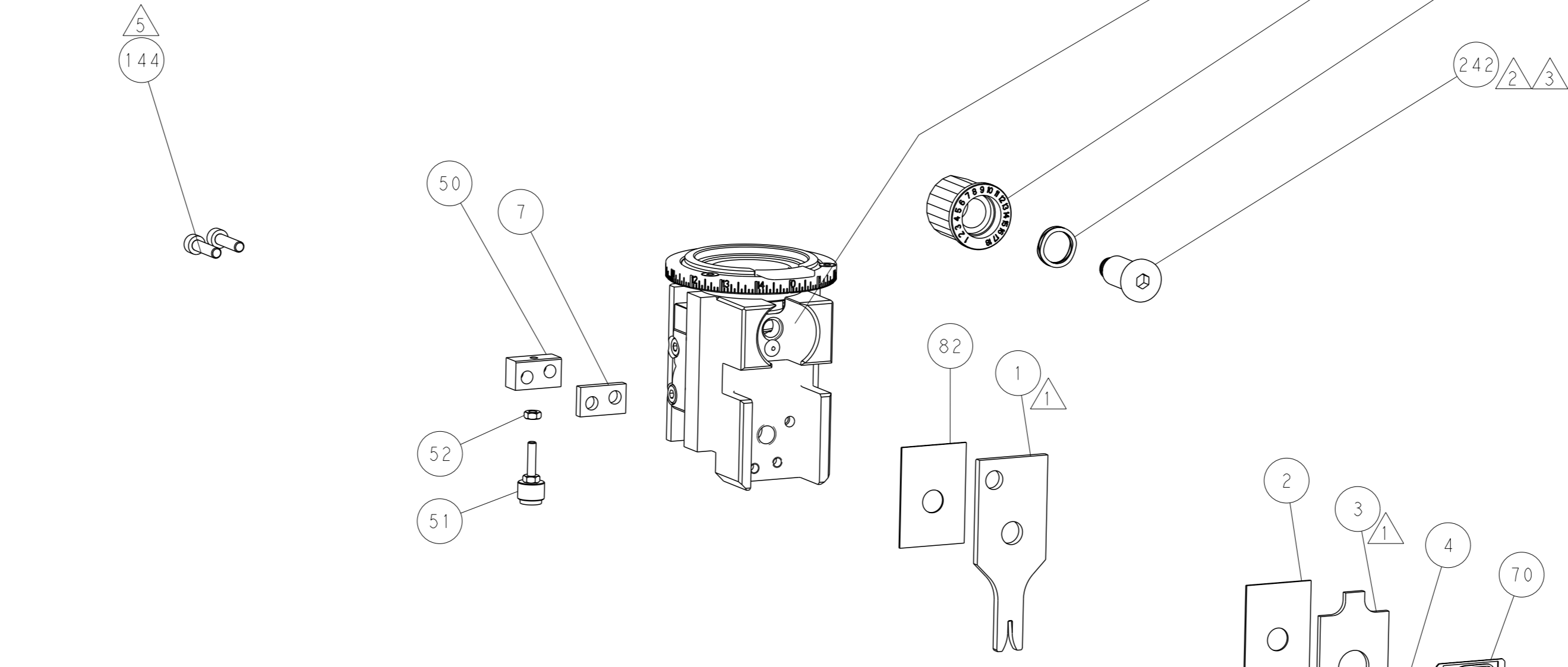
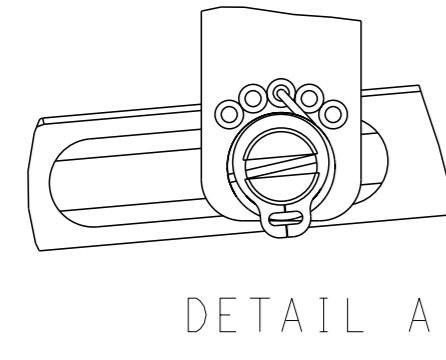
FEED TYPE MECHANICAL



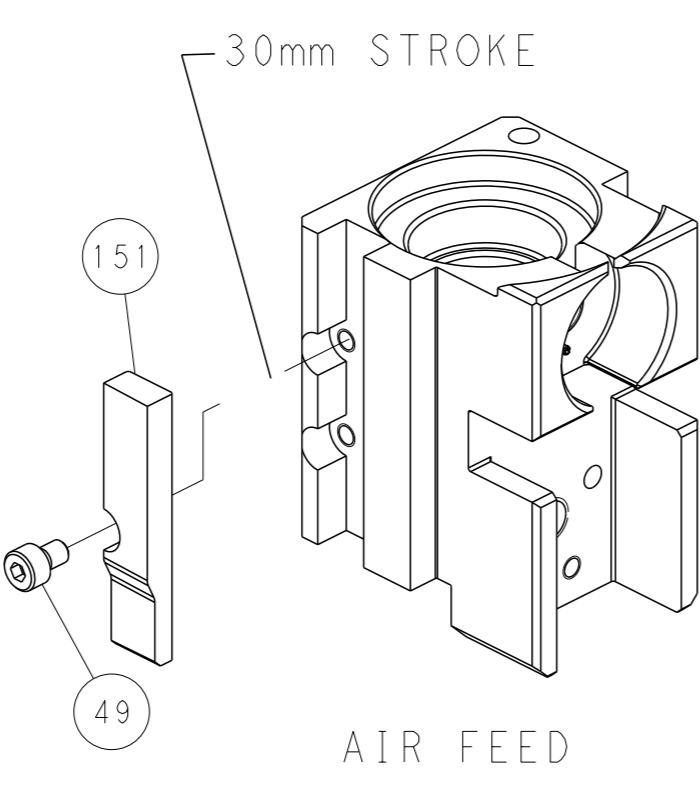
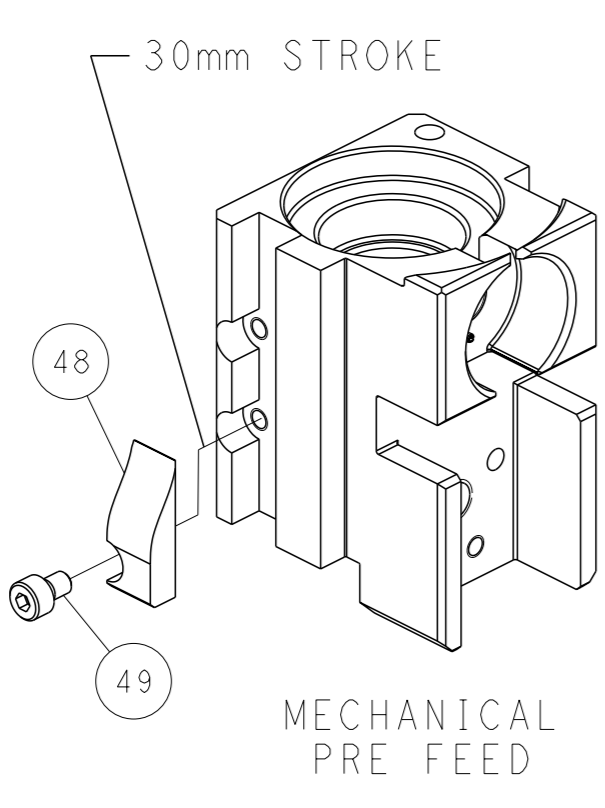
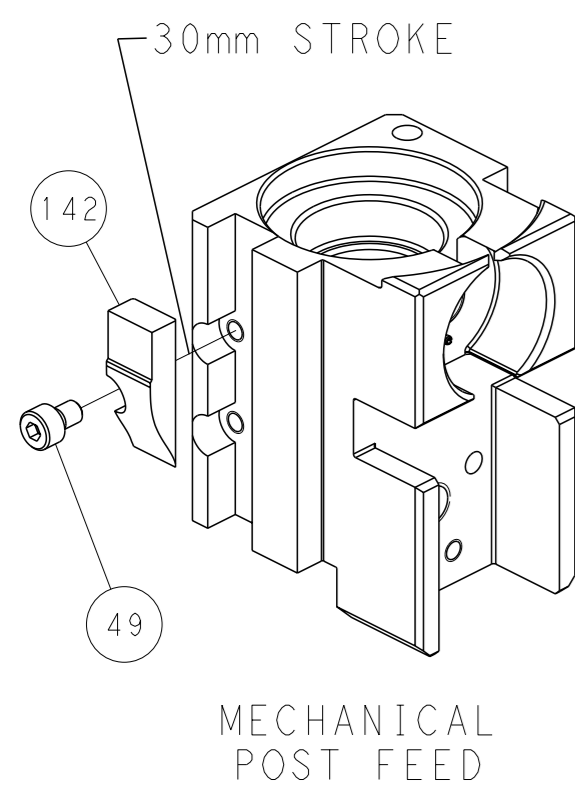
PNEUMATIC



FEED SPRING SETTING POSITION (SHOWN FROM REAR SIDE)



CAM POSITIONS



PACIFIC VERSION
 Shown on sheets 3 of 4 & 4 of 4
 (Atlantic version shown on sheets 1 of 4 & 2 of 4)

| | | | |
|--|--|--|--|
| <small>THIS DRAWING IS A CONTROLLED DOCUMENT FOR TYCO ELECTRONICS CORPORATION. IT IS SUBJECT TO CHANGE AND THE CONTROLLING ENGINEERING ORGANIZATION SHOULD BE CONTACTED FOR THE LATEST REVISION.</small> | | OWN: HOFFNER 22JUNE2015 CHK: T. ELBIN 23JUNE2015 APVD: T. ELBIN 23JUNE2015 | TE Connectivity Harrisburg, PA 17105-3608 |
| DIMENSIONS: mm TOLERANCES UNLESS OTHERWISE SPECIFIED: 0 PLC ± 1 PLC ± 2 PLC ± 3 PLC ± 4 PLC ± ANGLES FINISH ± | NAME: Ocean Side Feed Applicator APPLICATION SPEC: - SIZE: A1 CAGE CODE: 00779 DRAWING NO: C=2266826 | WEIGHT: - SCALE: 1:2 SHEET: 4 of 4 REV: B | RESTRICTED TO: - |