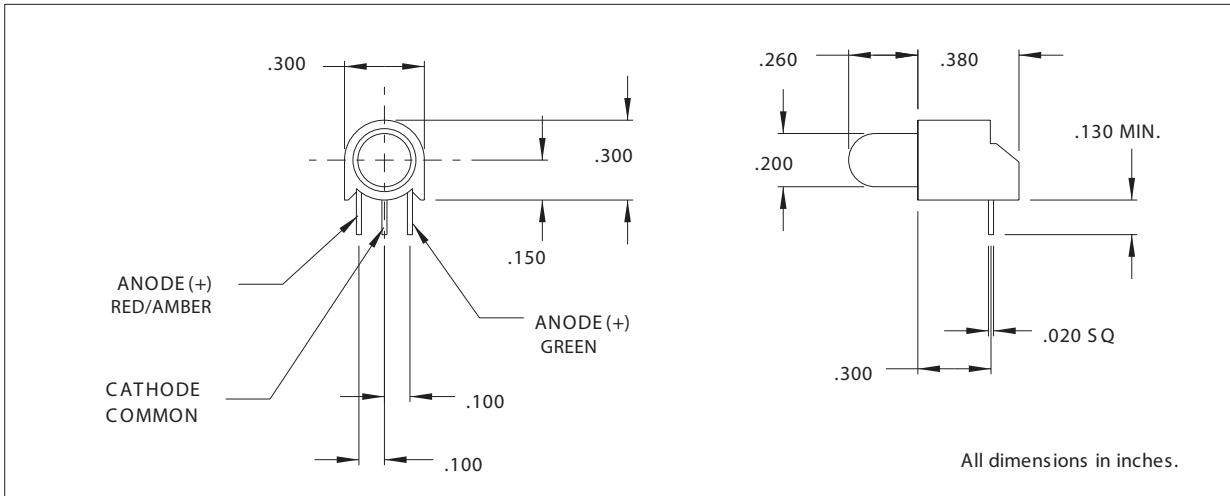


# 5305 Series T-1 3/4 Tricolor Right Angle LED Assembly

## Description and Features



## Features

- Block mounting, height and spacing alignment saves assembly cost and time.
- Super Brite LEDs-high intensity light output
- Press-in pin secures block to board for soldering
- Standoffs prevent flux entrapment.
- RoHS Compliant
- Housing: Black Nylon, UL94V-O

## Electro-Optical Characteristics and Ratings

Part Number	Color	Typ. Intensity (mcd)	Rated Current (mA)	Continuous Forward Current Max. (mA)	Forward Voltage Typ. (V)	Forward Voltage Max. (V)	Reverse Break-down Voltage Min. (V)	Peak Wavelength (nm)
5305HB1/5	Red/Green	40/60	20	-	2.0/2.2	2.5/2.5	4	627(R)/565(G)
5305H3/5	Amber/Green	5.0/5.0	10	20	2.1	2.8	4	610(A)/565(G)