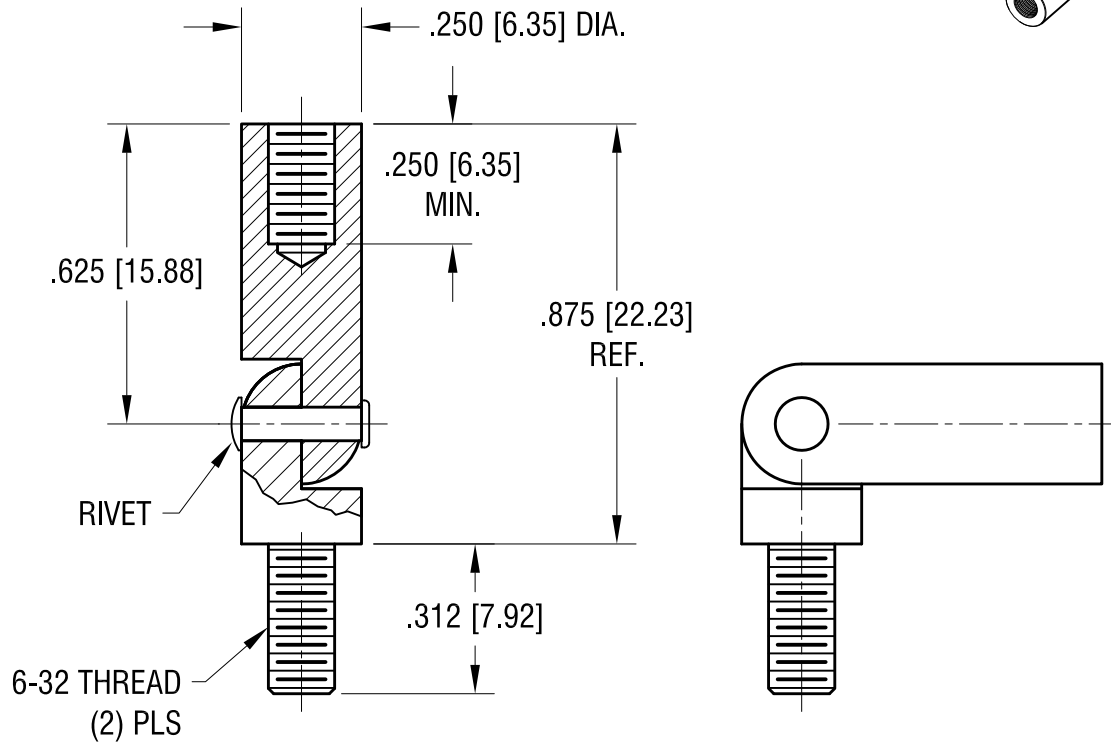
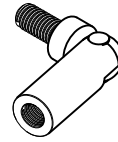


THIS DOCUMENT IS THE PROPERTY OF  
KEYSTONE ELECTRONICS CORP. AND  
SHALL NOT BE REPRODUCED, DISTRIBUTED  
OR USED AS A BASIS FOR MANUFACTURE  
WITHOUT PRIOR WRITTEN PERMISSION  
FROM KEYSTONE ELECTRONICS CORP.

**ACTUAL SIZE**



2.03.23 CHANGE AS PER ECN 23-013  
FINISH WAS ZINC WITH YELLOW CHROMATE

9.08.08 PLATING WAS ZINC WITH  
YELLOW DYE  
CHANGED AS PER ECN 08-148

B

A

REV.

**KEYSTONE ELECTRONICS CORP.**

www.keyelco.com • NEW HYDE PARK NY 11040 • Tel (516)328-7500

PART NAME

HINGED STANDOFF, MALE / FEMALE

MATERIAL

BRASS

FINISH

BRIGHT BRASS

DRN BY

NT

DATE

9.08.08

APP'D

RH

SCALE

2.5X

TOLERANCES

INCH [MM]

DECIMAL

$\pm .005$  [ $\pm 0.13$ ]

ANGULAR

$\pm 1^\circ$

UNLESS OTHERWISE SPECIFIED

CODE

C

DWG NO.

336

DATE

DESCRIPTION