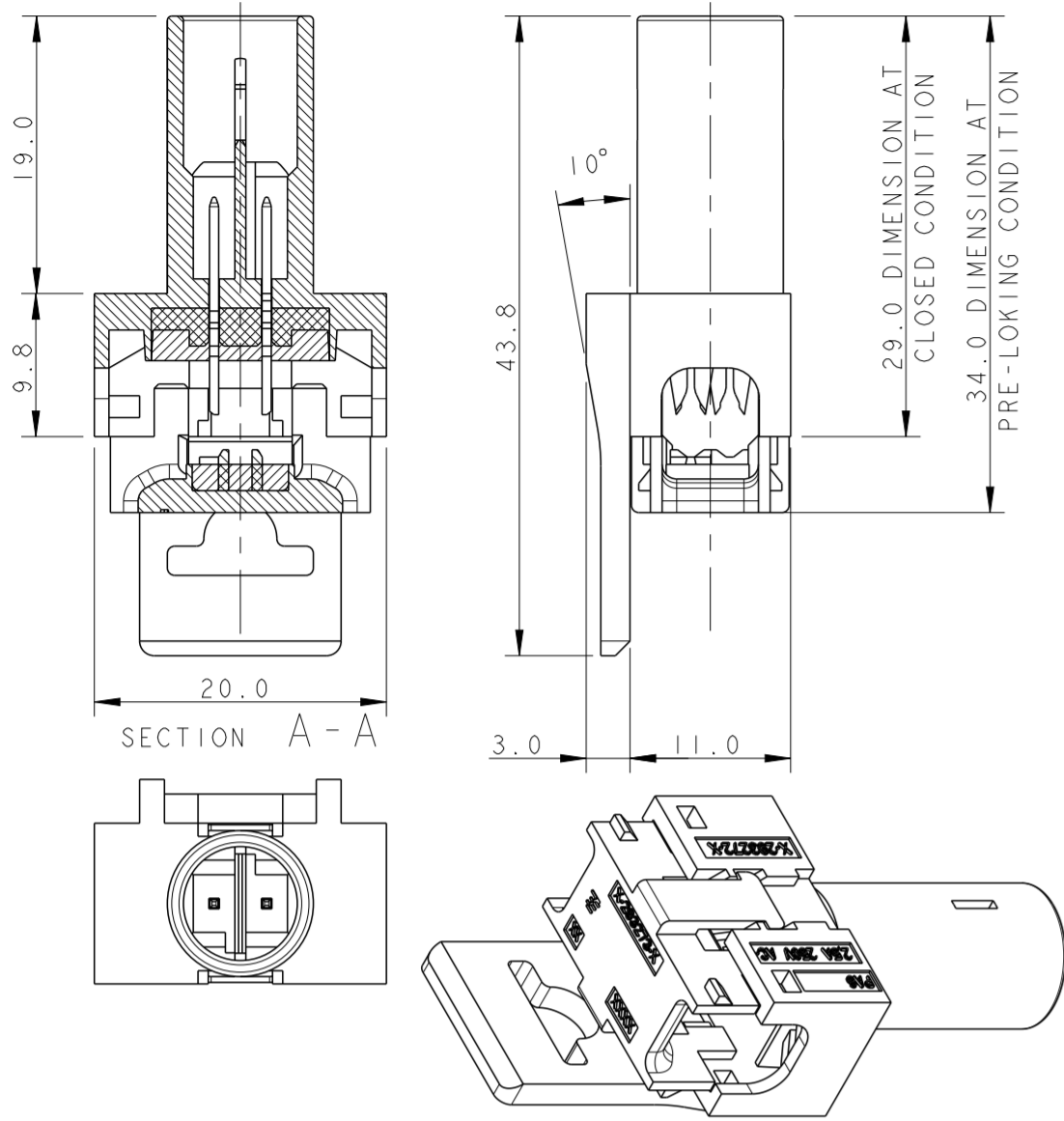
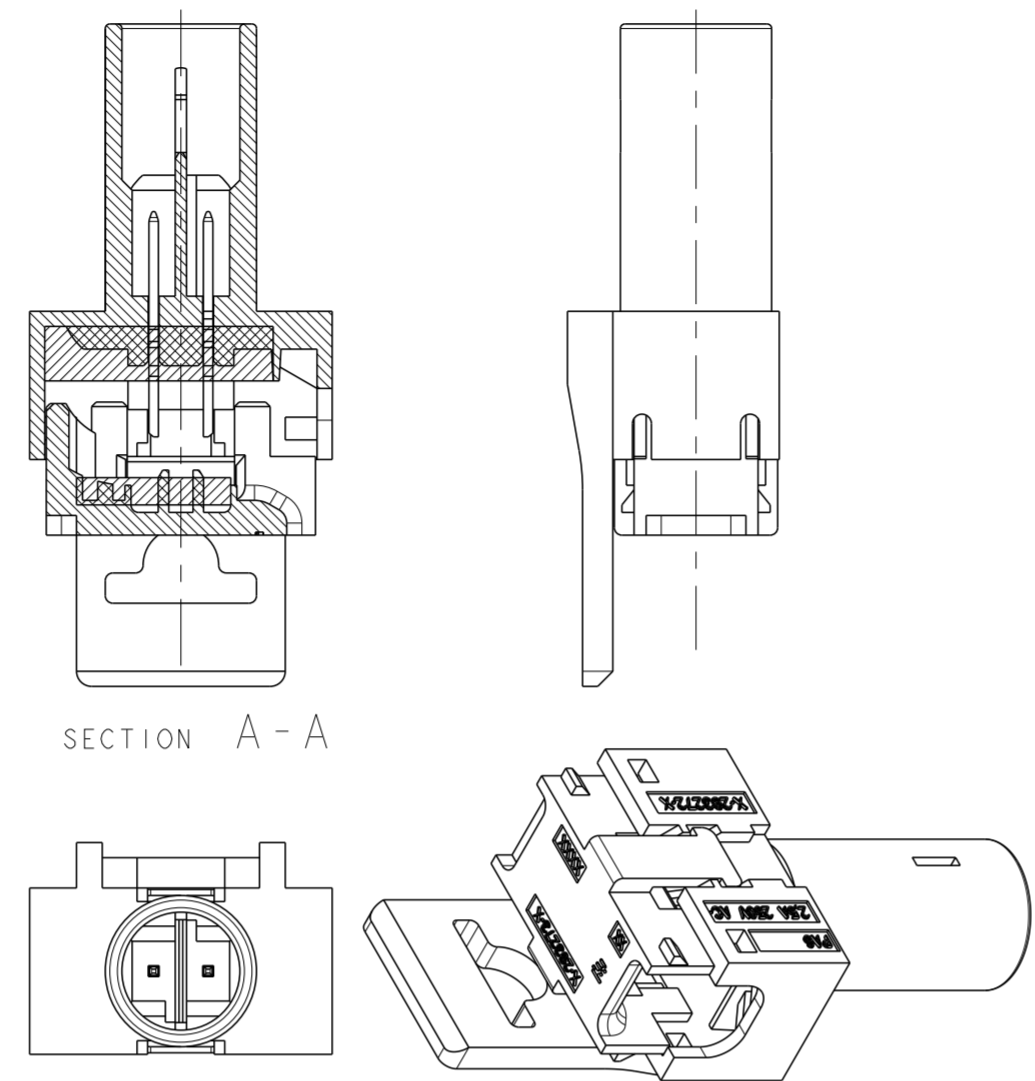


THIS DRAWING IS UNPUBLISHED. RELEASED FOR PUBLICATION 20
 © COPYRIGHT 20 BY - ALL RIGHTS RESERVED.

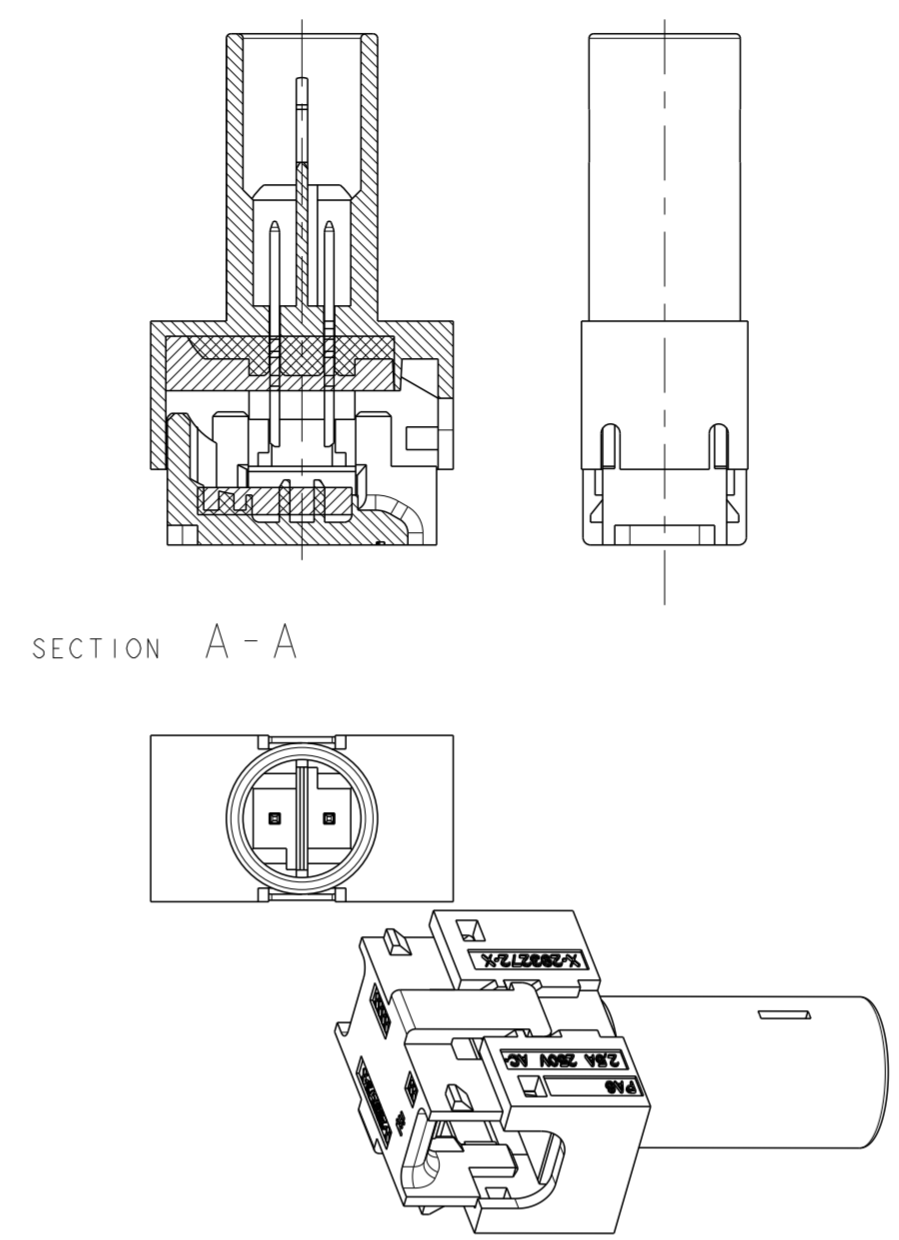
P/N 0-293270-1 AS SHOWN
 POLARIZATION KEY HV-1



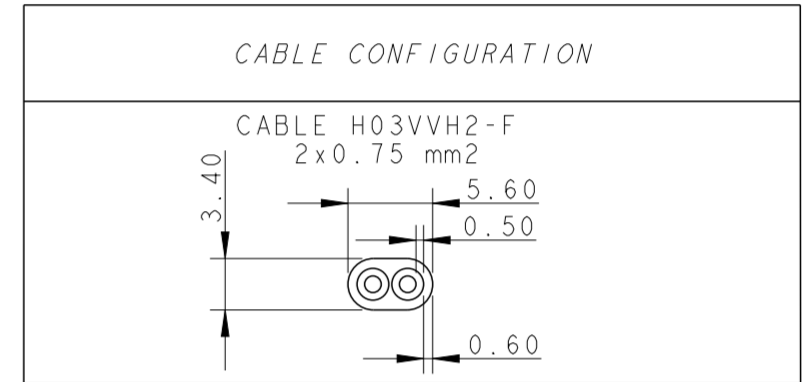
P/N 0-293270-2 AS SHOWN
 POLARIZATION KEY HV-1



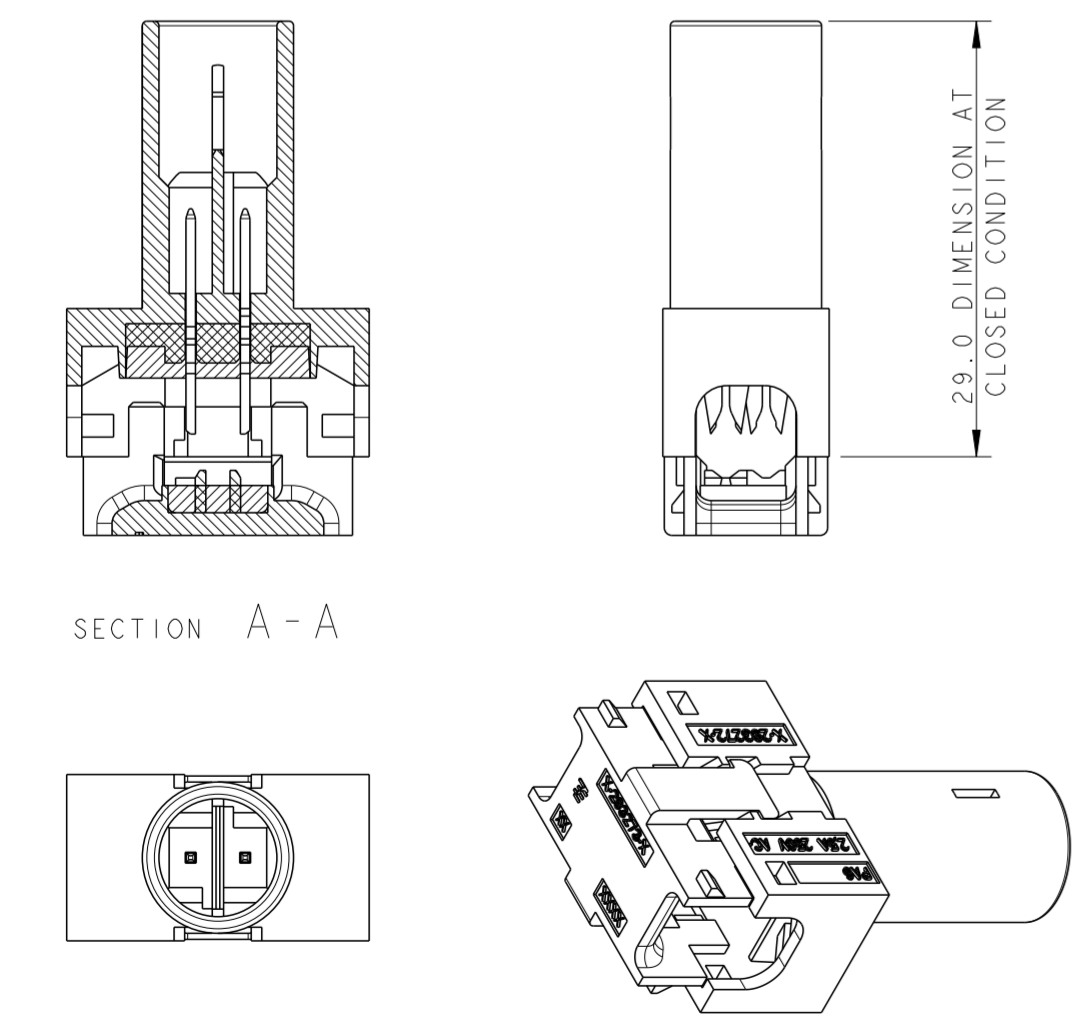
P/N 0-293270-9 AS SHOWN
 POLARIZATION KEY HV-1



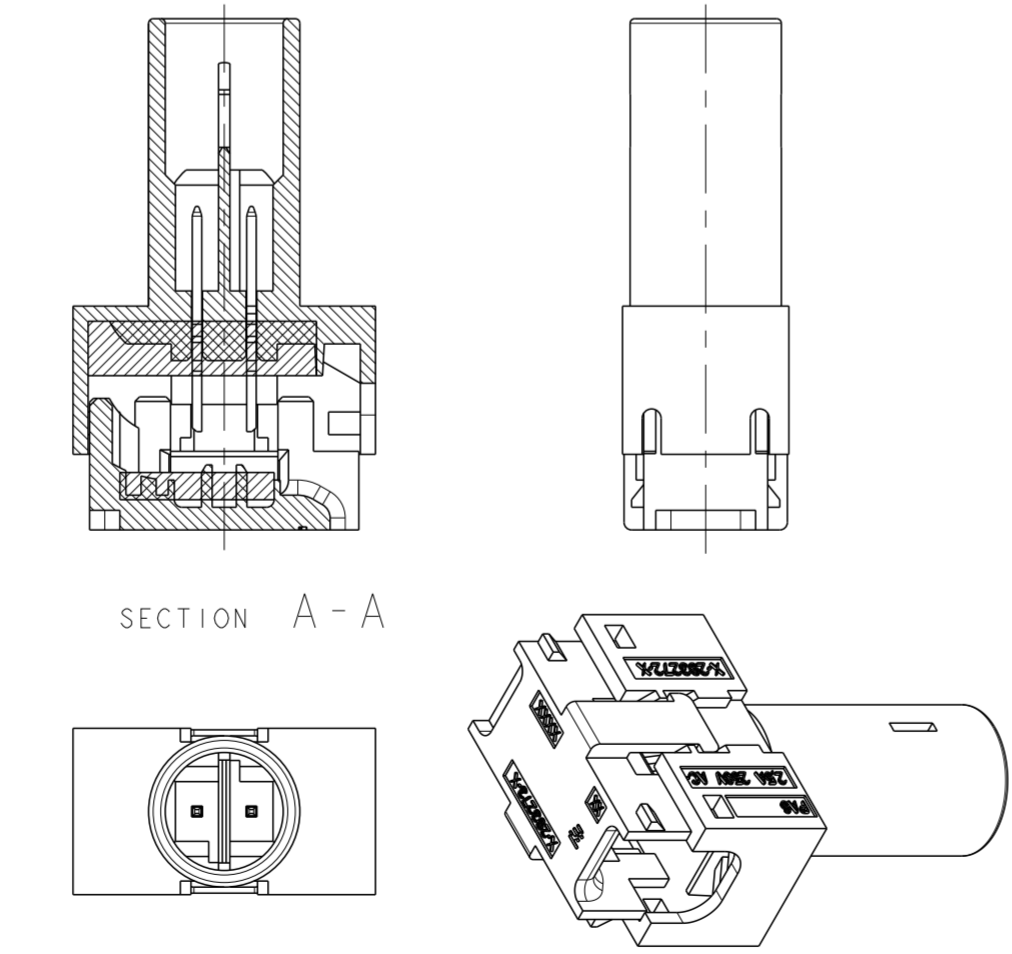
REVISIONS					
P	LTR	DESCRIPTION	DATE	DWN	APVD
V		ECR-14-018570	14DEC2014	KR	JC
Y		REVISED PER ECR-17-008252	19JUN2017	RK	JL
Y1		ADDED PN 1--0	15OCT2018	MZ	MZ
Y2		PN 1--0 RELEASED FOR PRODUCTION	07NOV2018	MZ	MZ



P/N 0-293270-3 AS SHOWN
 POLARIZATION KEY HV-1



P/N 0-293270-4 AS SHOWN
 POLARIZATION KEY HV-1



NOTES:
 CONTACTS BRASS PRE TINNED
 HOUSINGS POLYAMMIDE UL94 V0

MISSING DIMENSION SEE P/N 0-...-1

NOTES	PART NUMBER	DESCRIPTION	POL. KEY	COLOR
	1-293270-0	CONNECTOR WITHOUT FLANGE	LV-2	BLACK
	293270-9	END CONNECTOR WITHOUT FLANGE	HV-1	BLACK
	293270-8	END CONNECTOR WITHOUT FLANGE	LV-2	YELLOW
	293270-7	CONNECTOR WITHOUT FLANGE	LV-2	YELLOW
	293270-6	END CONNECTOR WITH FLANGE	LV-2	YELLOW
	293270-5	CONNECTOR WITH FLANGE	LV-2	YELLOW
	293270-4	END CONNECTOR WITHOUT FLANGE	HV-1	WHITE
	293270-3	CONNECTOR WITHOUT FLANGE	HV-1	WHITE
	293270-2	END CONNECTOR WITH FLANGE	HV-1	WHITE
	293270-1	CONNECTOR WITH FLANGE	HV-1	WHITE

THIS DRAWING IS A CONTROLLED DOCUMENT.

DIMENSIONS:	TOLERANCES UNLESS OTHERWISE SPECIFIED:	DWN	18JAN2007	TE Connectivity NAME BUS BAR 2 POSITION SEALED
mm	0 PLC ±	CHK	A. Vecchia	
	1 PLC ±0.3	APVD	G. Turco	
	2 PLC ±0.05	APVD	G. Turco	
	3 PLC ±	PRODUCT SPEC	24MAY2007	108-94018
	4 PLC ±	APPLICATION SPEC		114-20131
MATERIAL	FINISH	WEIGHT		A200779
				C-293270

CUSTOMER DRAWING SCALE 2:1 SHEET 1 OF 2 REV Y2

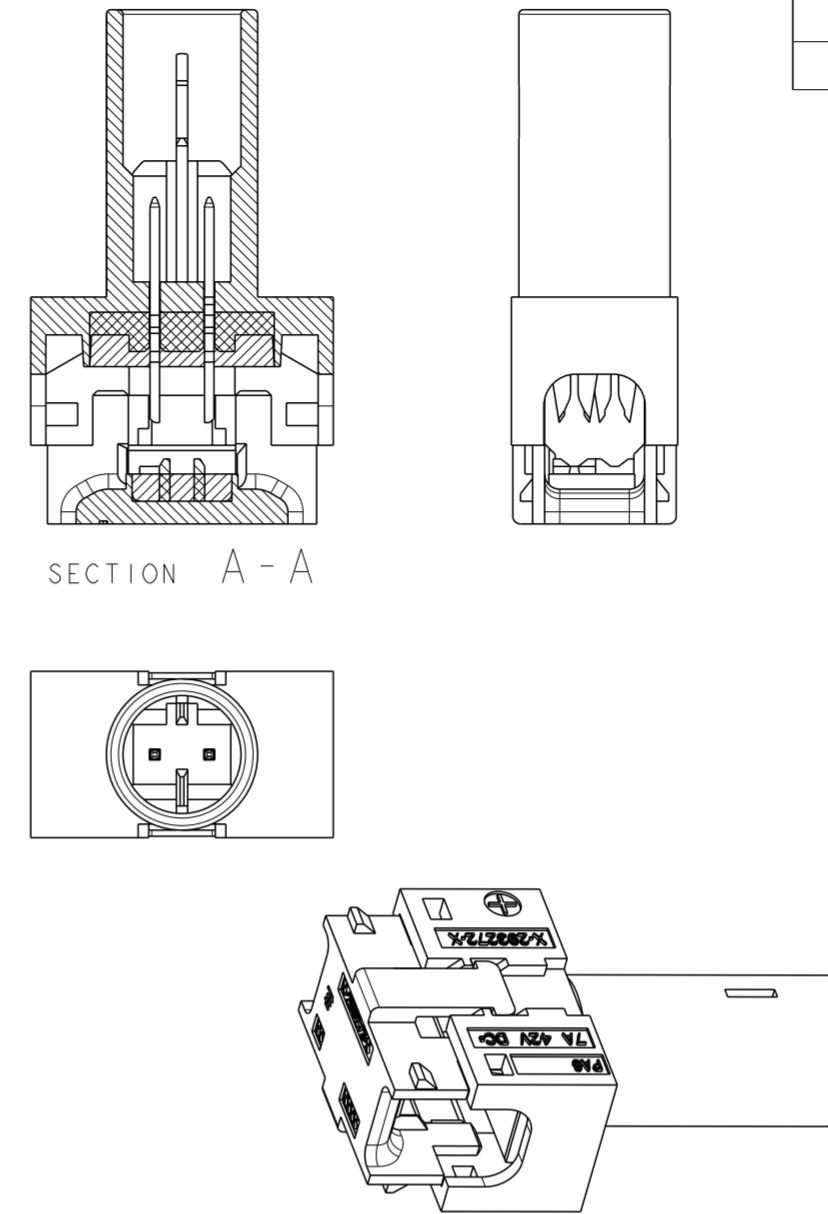
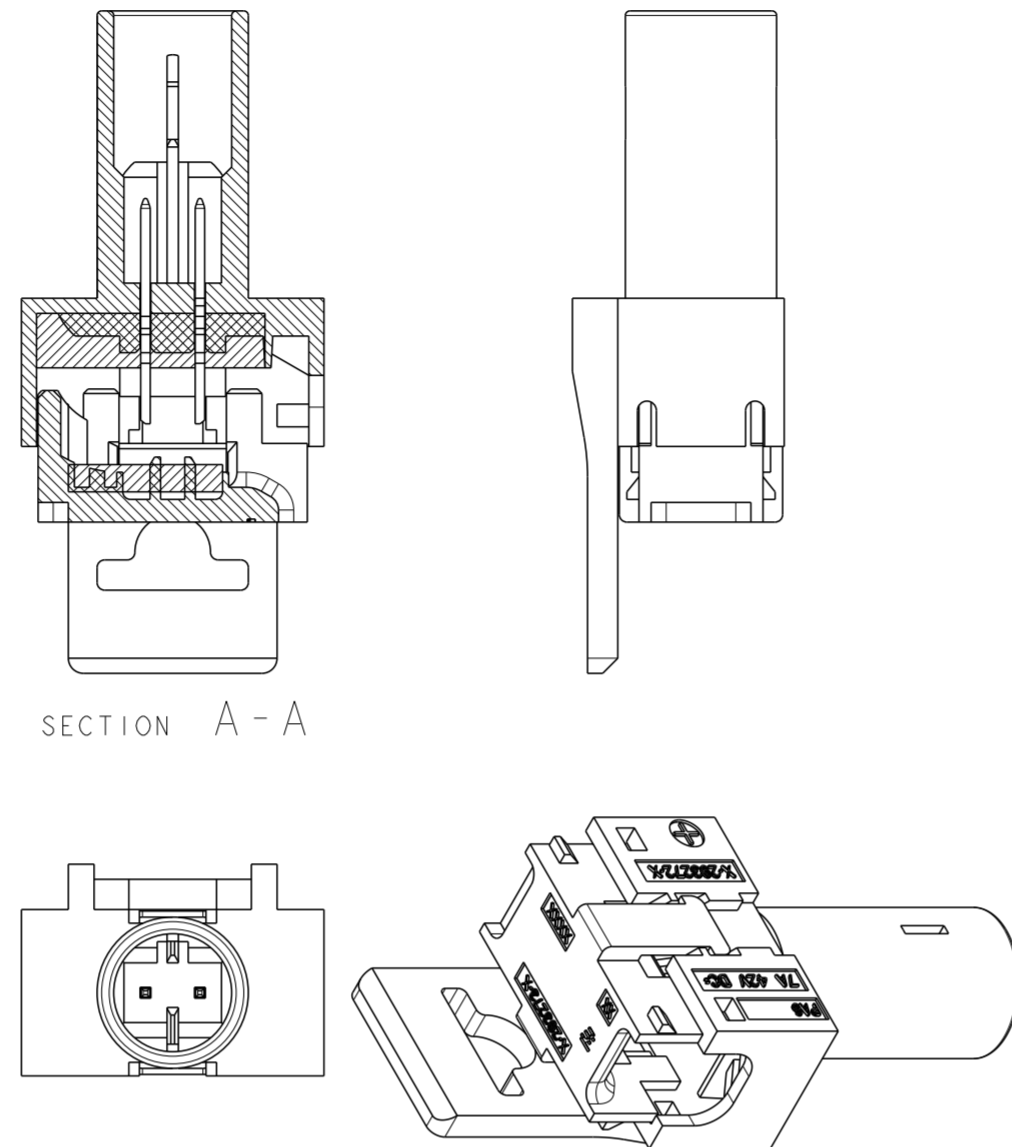
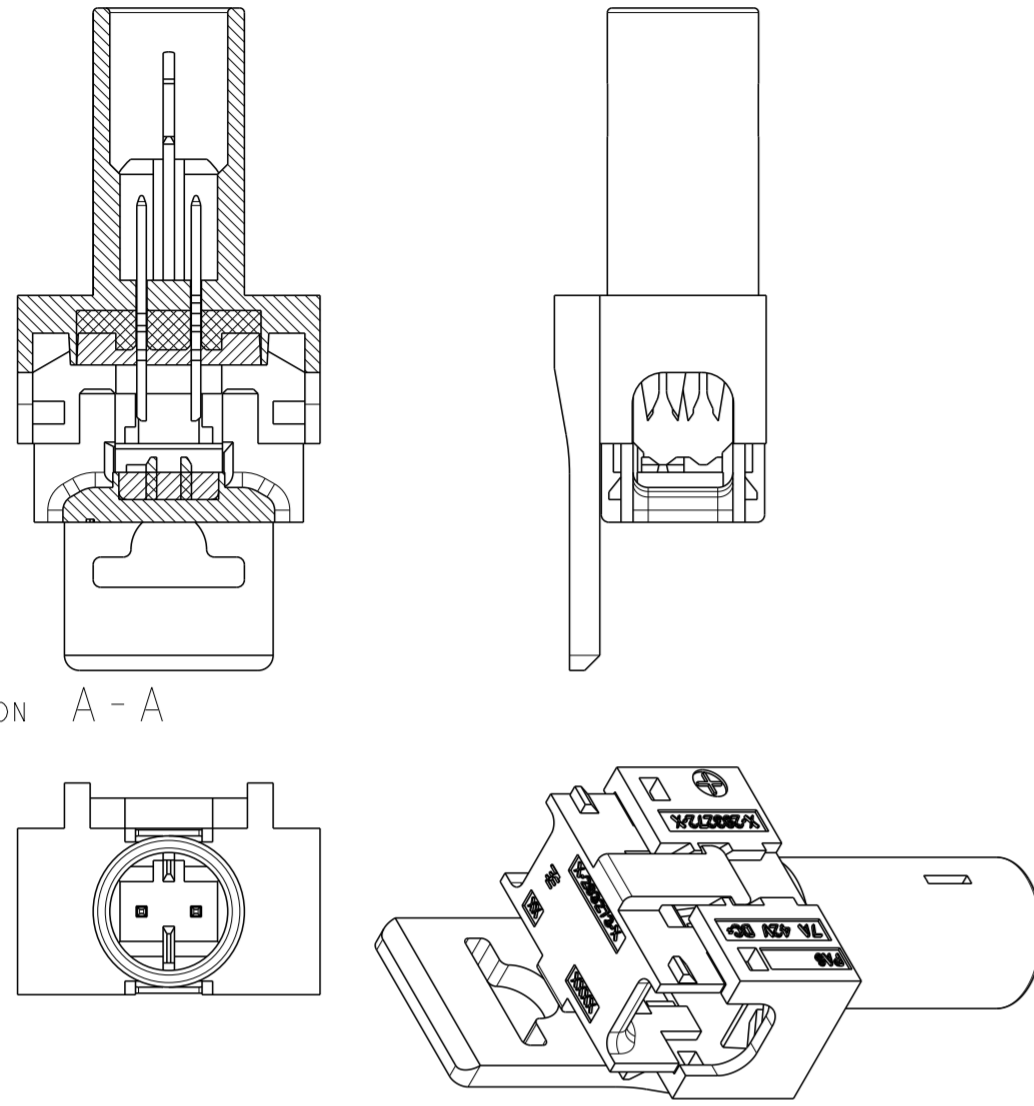
THIS DRAWING IS UNPUBLISHED. RELEASED FOR PUBLICATION 20
 © COPYRIGHT 20 BY - ALL RIGHTS RESERVED.

REVISIONS				
P	LTR	DESCRIPTION	DATE	APVD
-	-	SEE SHEET 1	-	-

P/N 0-293270-5 AS SHOWN
 POLARIZATION KEY LV-2

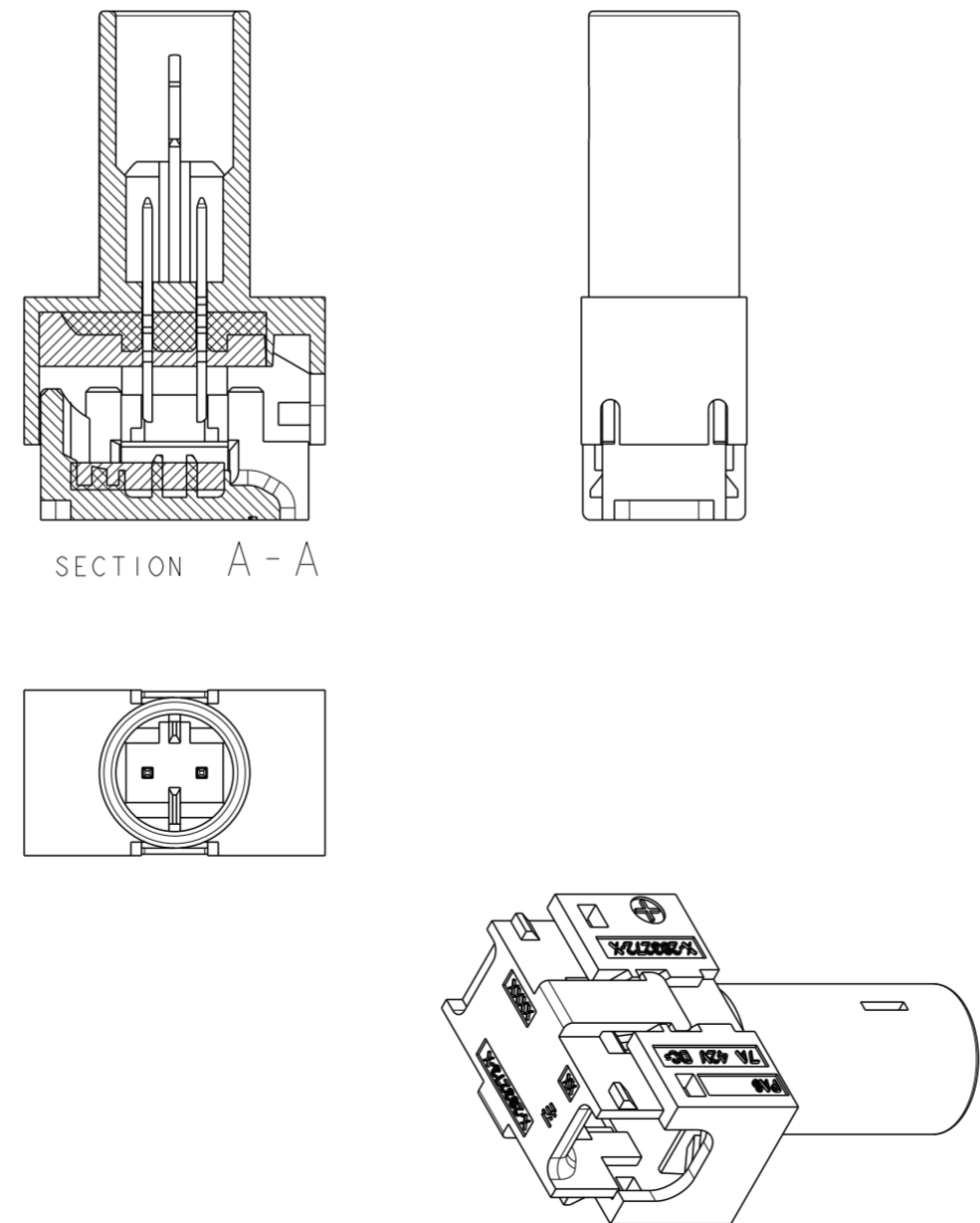
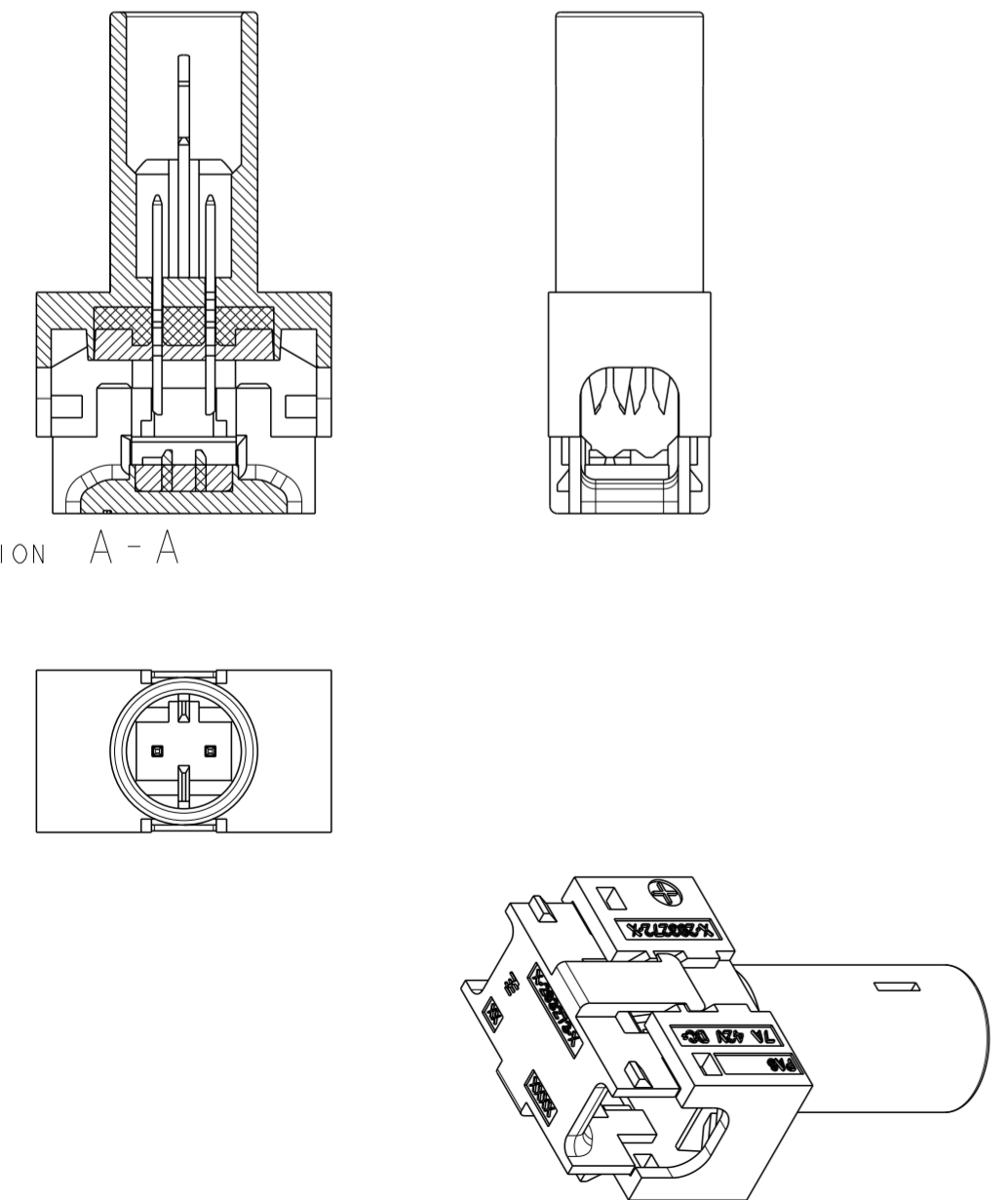
P/N 0-293270-6 AS SHOWN
 POLARIZATION KEY LV-2


P/N 1-293270-0 AS SHOWN
 POLARIZATION KEY LV-2



P/N 0-293270-7 AS SHOWN
 POLARIZATION KEY LV-2

P/N 0-293270-8 AS SHOWN
 POLARIZATION KEY LV-2



THIS DRAWING IS A CONTROLLED DOCUMENT.		DWN 18JAN2007 A Vecchia	 TE Connectivity	NAME BUS BAR 2 POSITION SEALED
DIMENSIONS: mm		CHK 18JAN2007 G Turco		
TOLERANCES UNLESS OTHERWISE SPECIFIED:		APVD 24MAY2007 G Turco	PRODUCT SPEC	108-94018
0 PLC ±		APPLICATION SPEC	114-20131	RESTRICTED TO
1 PLC ±0.3		WEIGHT	-	-
2 PLC ±0.05		CUSTOMER DRAWING	SCALE 2:1	SHEET 2 OF 2
3 PLC ±				REV Y2
4 PLC ±				
ANGLES ±				
FINISH				