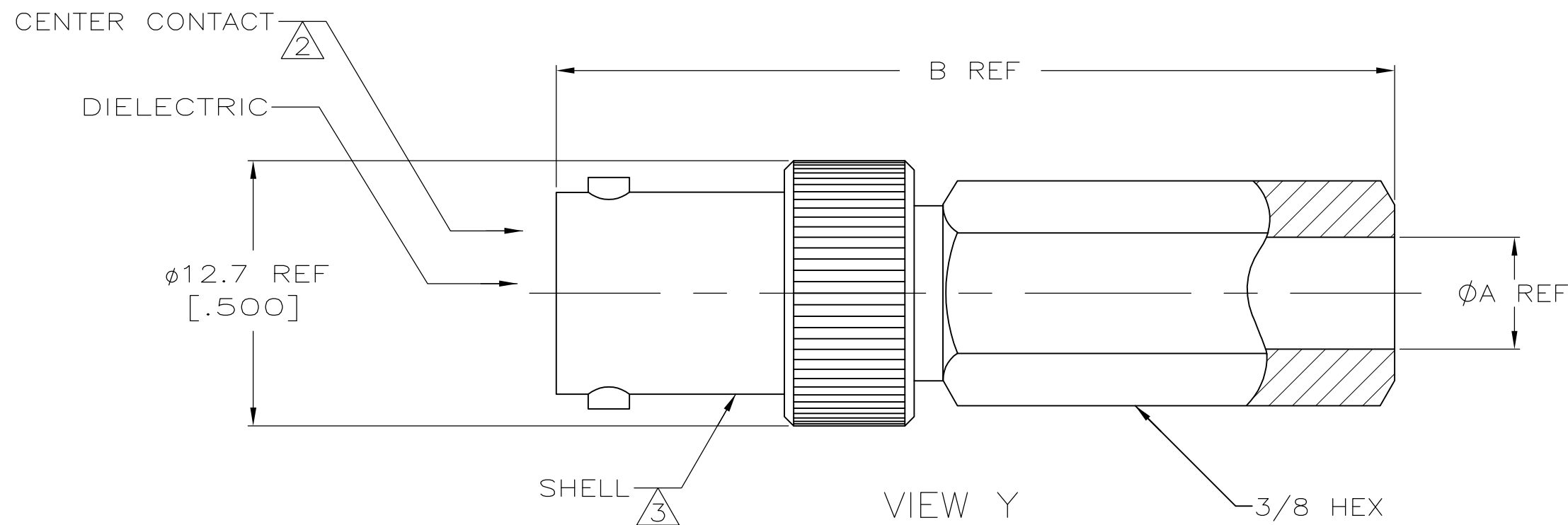
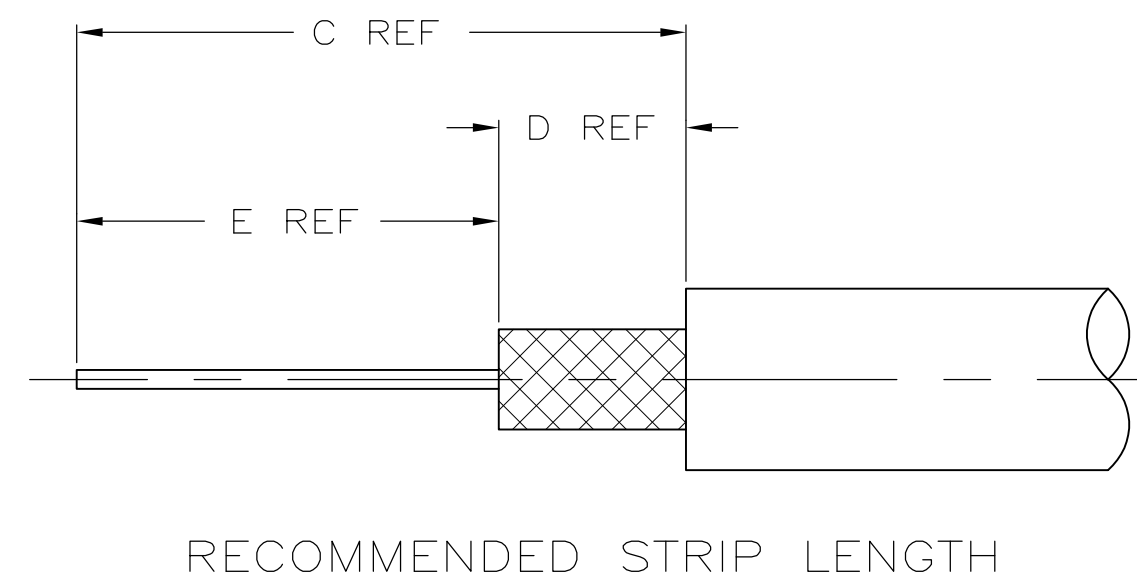
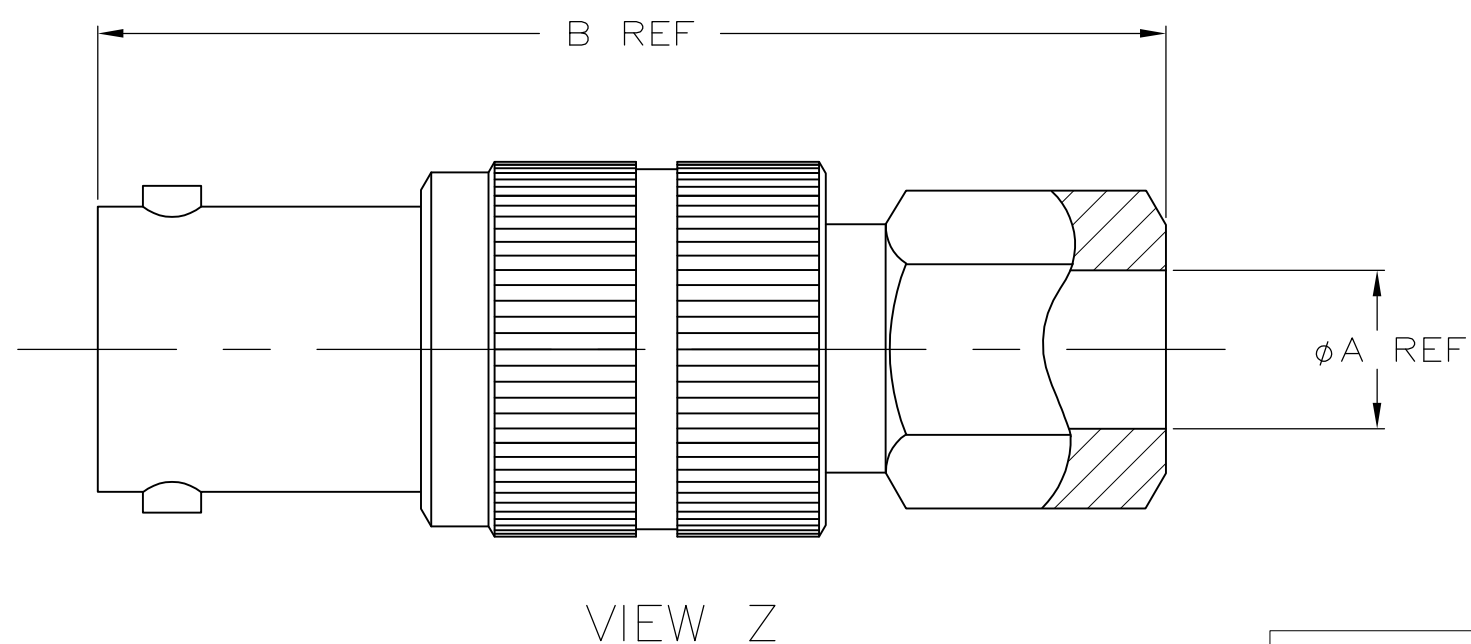


THIS DRAWING IS UNPUBLISHED. RELEASED FOR PUBLICATION  
 © COPYRIGHT - By - ALL RIGHTS RESERVED.

LOC	DIST	REVISIONS			
P	LTR	DESCRIPTION	DATE	DWN	APVD
AJ	16	J	ECO-14-004169	11FEB2015	RZ MC



- 1 MATERIAL:  
SHELL: BRASS  
CENTER CONTACT: PHOSPHOR BRONZE  
DIELECTRIC: SEE TABLE
- 2 GOLD PLATING
- 3 NICKEL PLATING
- 4. PRODUCT MADE IN TAIWAN
- 5. SEE I.S. 6996



OBSOLETE

OBSOLETE	BELDEN 88241	ACETAL	14.30 [.563]	6.35 [.250]	20.65 [.813]	40.13 [1.580]	.193	Y	1-222428-3
OBSOLETE	BELDEN 88240	ACETAL	14.30 [.563]	6.35 [.250]	20.65 [.813]	40.13 [1.580]	.165	Y	1-222428-1
SUPERSEDED BY 222428-1	RG-59/U, 59A/U, 59B/U, 62/U, 62A/U	PTFE	14.30 [.563]	6.35 [.250]	20.65 [.813]	40.13 [1.580]	.224	Y	1-222428-0
SUPERSEDED BY 222428-1	RG-59/U, 59A/U, 59B/U, 62/U, 62A/U	ACETAL	10.49 [.413]	3.18 [.125]	14.48 [.570]	36.07 [1.420]	.217	Z	222428-9
OBSOLETE	RG-58/U, 58B/U	ACETAL	14.30 [.563]	6.35 [.250]	20.65 [.813]	40.13 [1.580]	.185	Y	222428-7
OBSOLETE	BELDEN 8281	ACETAL	14.30 [.563]	6.35 [.250]	20.65 [.813]	40.13 [1.580]	.287	Y	222428-5
SUPERSEDED BY 222428-1	RG-59/U, 59A/U, 59B/U, 62/U, 62A/U	PTFE	14.30 [.563]	6.35 [.250]	20.65 [.813]	40.13 [1.580]	.224	Y	222428-2
OBSOLETE	RG-59/U, 59A/U, 59B/U, 62/U, 62A/U	ACETAL	10.49 [.413]	3.18 [.125]	14.48 [.570]	36.07 [1.420]	.217	Z	222428-1
	FOR USE WITH CABLE	DIELECTRIC	E REF	D REF	C REF	B REF	φA	VIEW	PART NUMBER

THIS DRAWING IS A CONTROLLED DOCUMENT.

DWN	M.E. COWHER	1-25-91
CHK	M. PHILLIPS	2-19-91
APVD	M. PHILLIPS	2-19-91

TE Connectivity

NAME: JACK, TWIST-ON, COMMERCIAL BNC

SIZE	CAGE CODE	DRAWING NO	RESTRICTED TO
A2	00779	C=222428	-

SCALE: 4:1 SHEET: 1 of 1 REV: J