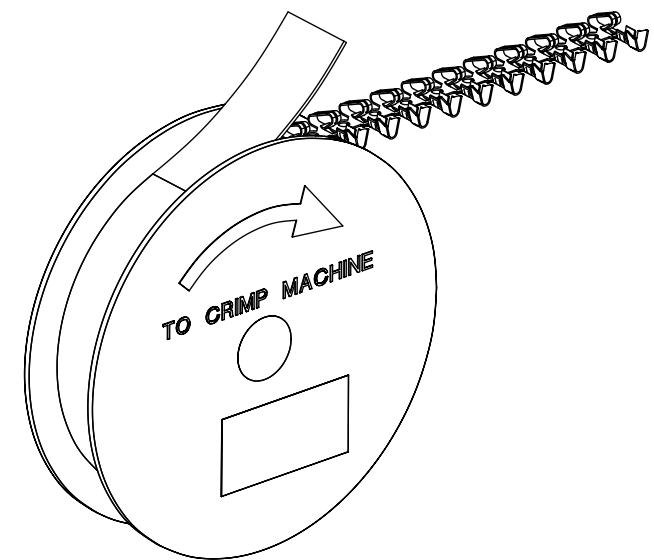
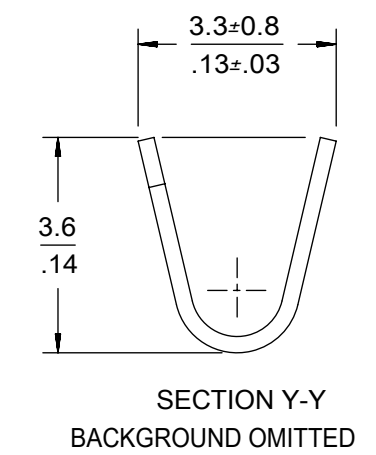
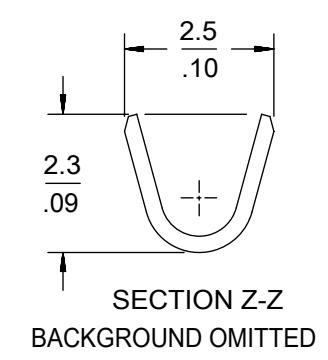
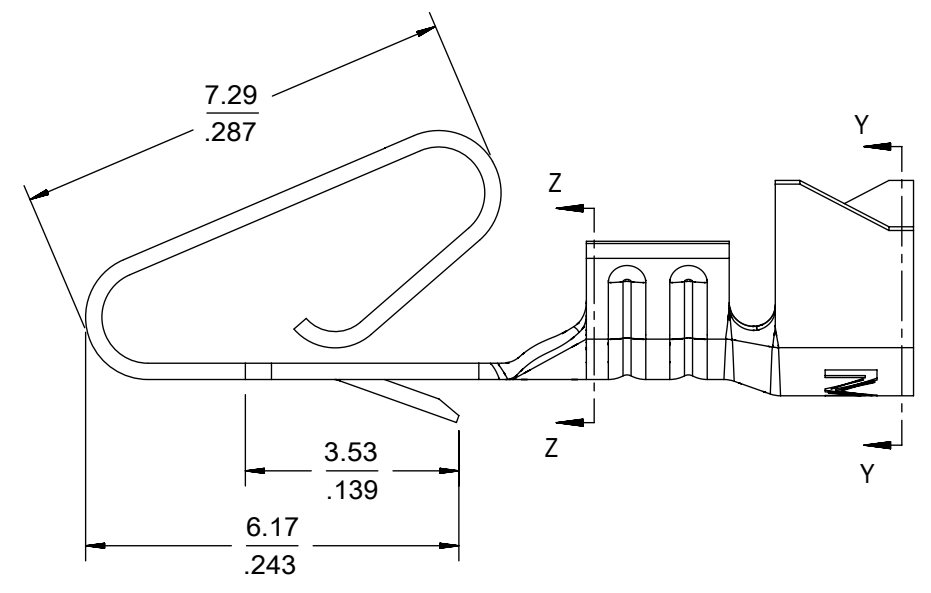
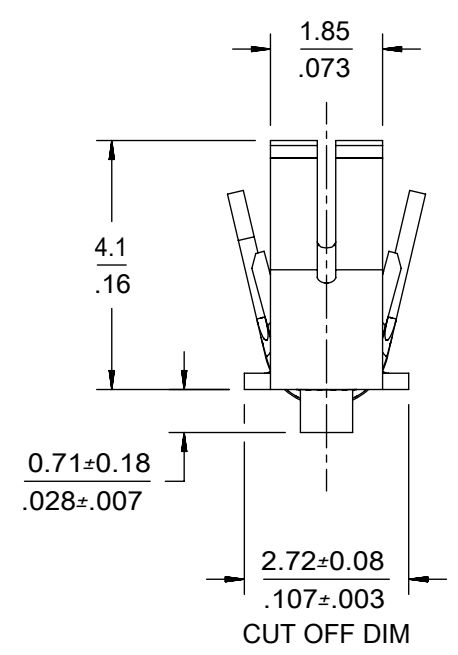
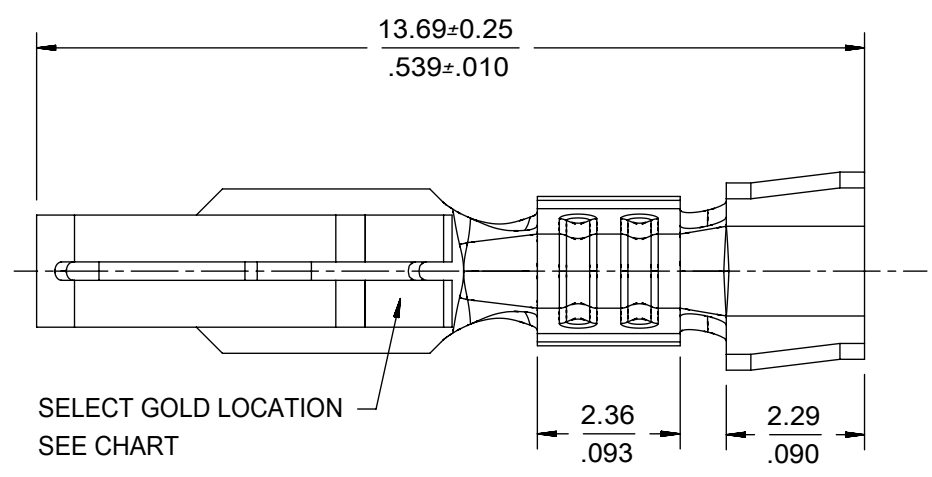


NOTES:

1. MATERIAL: PHOS BRONZE OR BRASS, SEE CHART
2. FINISH-1: PREPLATED OVERALL TIN: 0.00254/.000100 MIN
FINISH-2: SELECT GOLD: 0.00038/.000015 MIN OVER
0.00127/.000050 MIN NICKEL OVERALL
3. PRODUCT SPECIFICATION: PS-172160-0001
4. PACKAGING SPECIFICATION: PK-2759-002
5. COSMETIC SPECIFICATION: PS-45499-0002 CLASS B
6. TERMINAL ACCEPTS 18-20 AWG WIRE WITH 2.79/.110 MAX INSULATION DIA.
7. TERMINAL FOR USE WITH HOUSING 172159
8. TEXT ON PART IS FOR REFERENCE ONLY. TEXT AND TEXT LOCATION MAY VARY DEPENDING ON PART NUMBER AND/OR TOOL



MATERIAL NO	WIRE SIZE	MATERIAL	FINISH
172160-1802	18-20 AWG	PHOS BRONZE	SELECT GOLD
172160-1803	18-20 AWG	PHOS BRONZE	TIN
172160-1805	18-20 AWG	BRASS	SELECT GOLD
172160-1806	18-20 AWG	BRASS	TIN

SYMBOLS	THIS DRAWING CONTAINS INFORMATION THAT IS PROPRIETARY TO MOLEX ELECTRONIC TECHNOLOGIES, LLC AND SHOULD NOT BE USED WITHOUT WRITTEN PERMISSION		CURRENT REV DESC: NOTE 4 UPDATED	
	DIMENSION UNITS	SCALE		
▽ = 0	MM/IN	1:1		
▽ = 0	GENERAL TOLERANCES (UNLESS SPECIFIED)			
▽ = 0		MM	INCH	
▽ = 0	4 PLACES ±			
▽ = 0	3 PLACES ±		± 0.01	
▽ = 0	2 PLACES ±	0.25	± 0.015	
▽ = 0	1 PLACE ±	0.38		
▽ = 0	0 PLACES ±			
▽ = 0	ANGULAR TOL ± 0.5°			
■ = 0	DRAFT WHERE APPLICABLE MUST REMAIN WITHIN DIMENSIONS		THIRD ANGLE PROJECTION	DRAWING
▽ = 0			SERIES	
			172160	
			SEE CHART	GENERAL MARKET
				1 OF 1

molex

EDGEMATE CRIMP TERMINALS
3.96/.156 CENTER FOR HOUSING 172159

PRODUCT CUSTOMER DRAWING

DOCUMENT NUMBER: SD-172160-0000
DOC TYPE: PSD
DOC PART: 001
REVISION: D2

MATERIAL NUMBER: SEE CHART
CUSTOMER: GENERAL MARKET
SHEET NUMBER: 1 OF 1