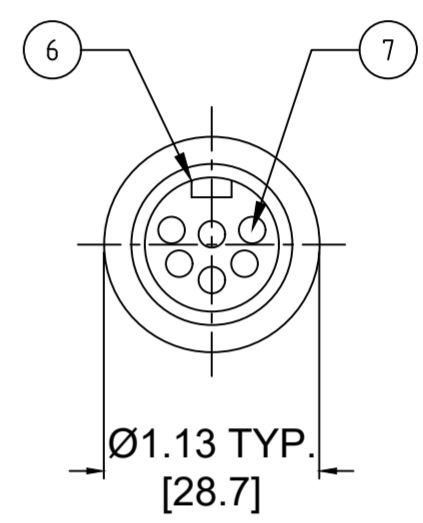
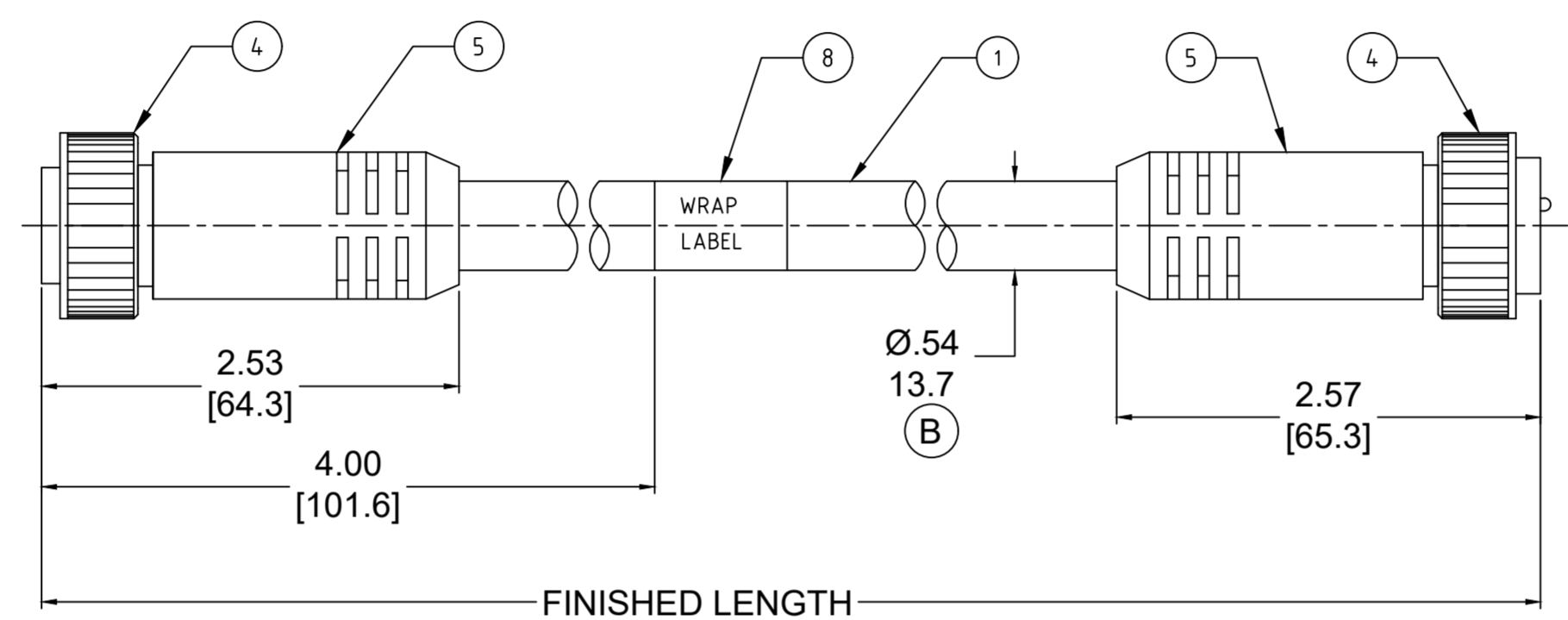
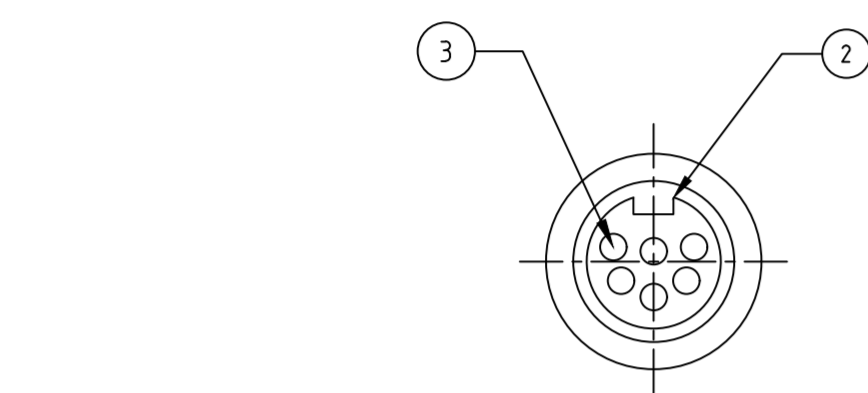


PART NO	ENGINEERING NO.	FINISHED LENGTH
1300110008	226020A01F030	3FT [0.9M]
1300110082	227020A01M300	30M [98FT 5 IN]
1300110158	228020A01M600	60M [196FT 10 IN]



- NOTES:
- MATERIAL: AS NOTED
 - FINISH: AS NOTED
 - ELECTRICAL:
6 POLE: VOLTAGE: 400V PER IEC60664
600V PER UL2238
CURRENT: 8A
7 POLE: VOLTAGE: 320V PER IEC60664
600V PER UL2238
CURRENT: 8A
8 POLE: VOLTAGE: 320V PER IEC60664
600V PER UL2238
CURRENT: 7A
 - TEMP RATING: -20°TO +105°C
 - PROTECTION: IP67 (WHEN MATED)
 - COUPLING THREAD: 1"-16 UN
 - UL RECOGNIZED FILE: E152210
CSA CERTIFIED FILE: LR6837 (B)
 - ALL DIMENSIONS ARE FOR REFERENCE UNLESS TOLERANCED OR NOTED OTHERWISE

PART NO. MATRIX
227020A01M010
 POLES (6,7,8) FINISHED LENGTH:
 M005= 0.5 METER
 M010= 1 METER
 M100= 10 METER
 F010= 1 FOOT
 F100= 10 FEET

CABLE LENGTH TOLERANCES

>.3M [1FT]:	+19mm-0 [+.75in-0]
.3 - .9M [1 - 3FT]:	+44.5mm-0 [+1.75in-0]
.9 - 1.8M [3 - 6FT]:	+55.6mm-0 [+2.19in-0]
1.8 - 3.7M [6 - 12FT]:	+88.9mm-0 [+3.50in-0]
3.7 - 7.3M [12 - 24FT]:	+165.1mm-0 [+6.50in-0]
7.3-14.6M [24 - 48FT]:	+317.5mm-0 [+12.50in-0]
14.6 - 30.5M [48-100FT]:	+622.3mm-0 [+24.50in-0]
OVER 30M [100FT]	+2% OF FINISHED LENGTH

8	WRAP LABEL	VINYL	BLACK/YELLOW
7	CONTACT PIN	COPPER ALLOY	GOLD PLATED
6	MALE INSERT	TPE	YELLOW
5	OVERMOLD	TPE	YELLOW
4	COUPLING	ZINC DIE-CAST	BLACK
3	CONTACT SOCKET	COPPER ALLOY	GOLD PLATED
2	FEMALE INSERT	TPE	YELLOW
1	CABLE, 16AWG, TPE,STOOW	PVC JACKET	YELLOW
ITEM	DESCRIPTION	MATERIAL	FINISH

FUNCTIONAL SYMBOLS	THIS DRAWING CONTAINS INFORMATION THAT IS PROPRIETARY TO MOLEX ELECTRONIC TECHNOLOGIES, LLC AND SHOULD NOT BE USED WITHOUT WRITTEN PERMISSION		CURRENT REV DESC: ITEM# 2, 5 & 6 WERE PVC. ADDED "CSA" IN NOTES. ADDED CABLE DIA. MODIFIED MATERIAL TABLE	
FA=0	DIMENSION UNITS	SCALE	EC NO: 643513	
FC=0	INCH/MM	NTS	DRWN: ABENJAMINLW	2020/07/29
FP=0	GENERAL TOLERANCES (UNLESS SPECIFIED)		CHK'D: RSTONE	2020/08/28
DIVISIONAL SYMBOLS	mm	INCH	APPR: BWOODMAN	2020/09/15
	4 PLACES ±----	±----	INITIAL REVISION:	
	3 PLACES ±----	±----	DRWN: RSTONE	2016/11/30
	2 PLACES ±----	±----	APPR: BWOODMAN	2016/12/20
	1 PLACE ±----	±----	ANGULAR TOL ± 0.5 °	
	0 PLACES ±----	±----	DRAFT WHERE APPLICABLE MUST REMAIN WITHIN DIMENSIONS	
	THIRD ANGLE PROJECTION		DRAWING	SERIES
	C-SIZE		139990	MATERIAL NUMBER
	SEE CHART		GENERAL MARKET	CUSTOMER
	1 OF 1		SHEET NUMBER	

molex

MINI-CHANGE CORDSET, B-SIZE,
6-8 POLE, MALE-FEMALE, STRAIGHT, SINGLE KEY,
16 AWG

PRODUCT CUSTOMER DRAWING

DOCUMENT NUMBER: **SD-130011-006** DOC TYPE/DOC PART/REVISION: **PSD 001 B**