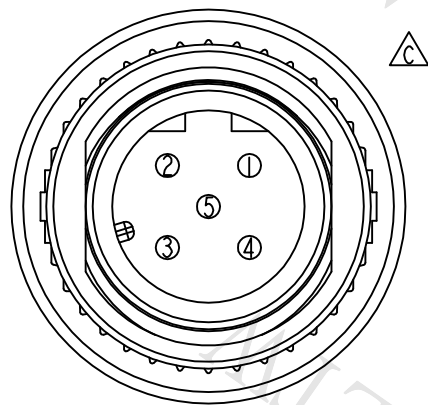
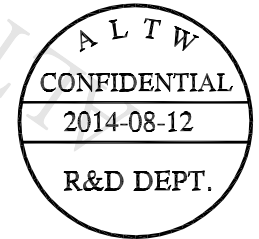
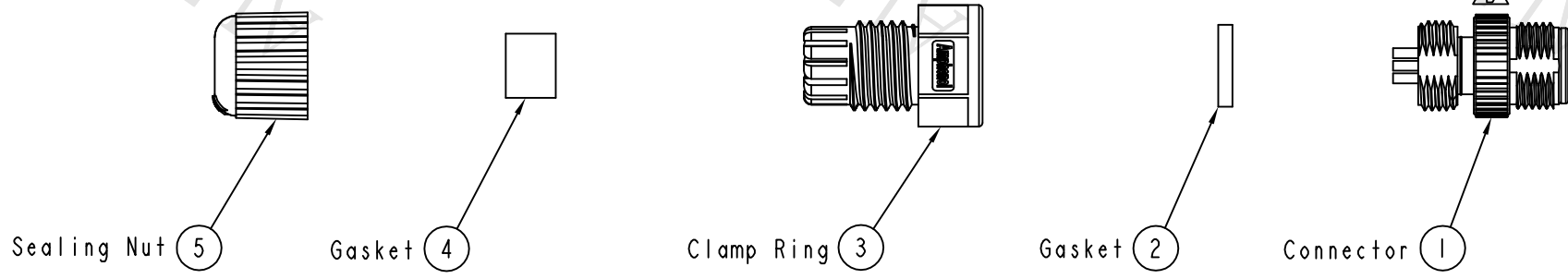
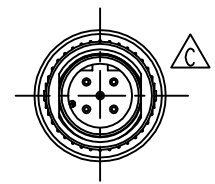
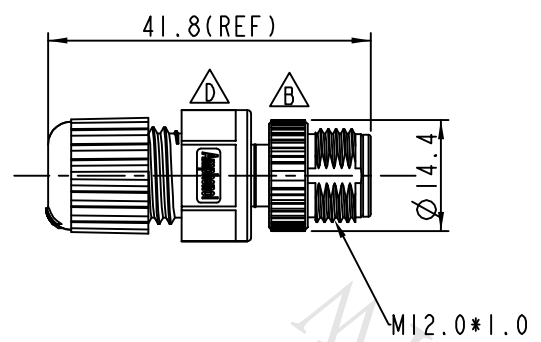


REV.	ECN NO.	DATE	SIGN	DESCRIPTION
B	LE3-6B0089	2006/11/09	Jerry	Remove the section & Change nut.
C	LEN1340070	2013/04/18	Yulong	Update The Drawing
D	LEN1480603	2014/08/12	Rita	Update Logo



Pin Assignments
Front View



- Note:
- * Waterproof Rate: IP68
 - * Housing: Black, Nylon+GF
 - * Pin: Copper Alloy, Gold Plated
 - * Nut: Zinc Alloy, Nickel Plated
 - * Gasket: Black, EPDM
 - * Clamp Ring: Black, Nylon
 - * Sealing Nut: Black, Nylon
 - * Seals: Black, EPDM
 - * Seal For Cable OD: $\varnothing 4.5\text{mm} \sim \varnothing 6.5\text{mm}$

UNIT: mm		TITLE M12 D Code Assy Screw 5Pin M Conn M Pin			Amphenol LTW 安費諾亮泰企業股份有限公司	ITEM NO 12D-05BMMA-SL8001	DRAWN BY Rita	DATE 2014-08-12
		SCALE 1:1	SIZE A4	SHEET 1 OF 1		DWG NO 12D-05BMMA-SL8001	CHECKED BY Kris	DATE 2014-08-12
		REV. D	WC-REV. A.8	QC: Inspection item		CUSTOMER ALTW	APPROVED BY Wenmao	DATE 2014-08-12

THIS DOCUMENT IS SUBJECT TO CHANGE WITHOUT NOTICE. IT IS CONFIDENTIAL AND A PROPERTY OF Amphenol LTW. DISCLOSURE TO THIRD PARTY HAS TO BE AUTHORIZED BY Amphenol LTW.