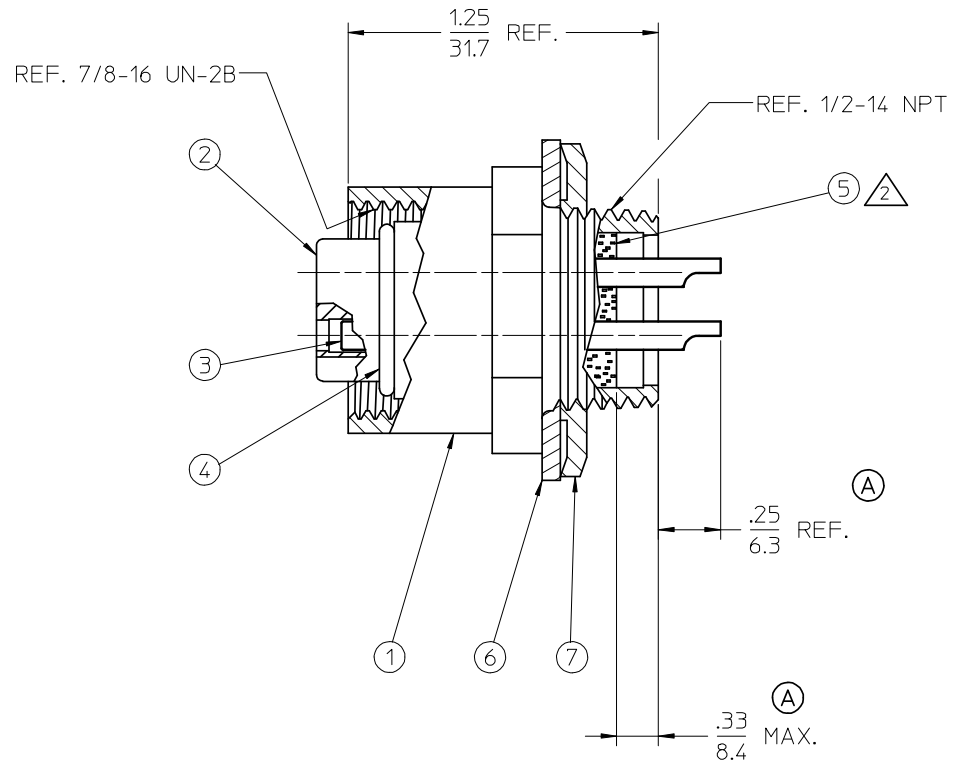
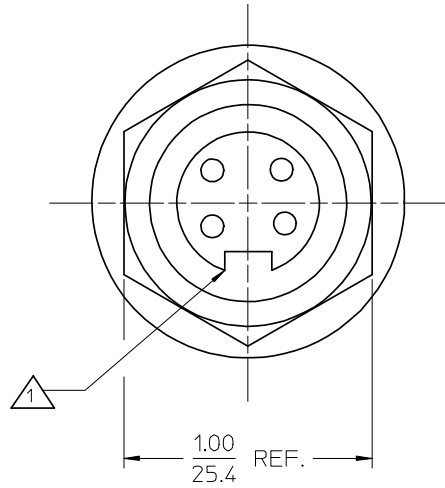


REF. THIS DRAWING SUPERSEDES SD-84854-9102 REV-D1



NOTES: (A)

- 1 INSERT KEY IS TO BE ORIENTATED TO HEX AS SHOWN WITHIN 10°
- 2 EPOXY IS TO COMPLETELY COVER REAR OF INSERT TO DIMENSION SHOWN
- 3. RECOMMENDED MOUNTING HOLE DIA: .875/.844 [ 22.22/21.44 ]
- 4. ASSEMBLY IS RoHS COMPLIANT BY EXEMPTION (\*)

ITEM	QTY	DESCRIPTION	MATERIAL	FINISH
7	1	LOCKNUT, 1/2-14 NPT	STEEL	ZINC PLATED
6	1	PANEL GASKET	NEPORENE	BLACK
5	A/R	POTTING COMPOUND	EPOXY	
4	1	O-RING	BUNA	BLACK
3	4	CONTACT SOCKET	Cu ALLOY *	GOLD
2	2	SOCKET INSERT	PVC	GRAY
1	1	RECEPTACLE SHELL	ALUMINUM	BLACK ANODIZE

REDRAWN EC NO: WNA2009-0031 DRAWN BY: DRWINRSTONE 2008/07/17 CHKD: J.MURPHY APPR: J.MURPHY 2008/08/18	DESCRIPTION REV
---	--------------------

QUALITY SYMBOLS	▽=0 ▽=0
-----------------	------------

GENERAL TOLERANCES (UNLESS SPECIFIED)	
	mm INCH
4 PLACES	± .005 ± .0002
3 PLACES	± .005 ± .0002
2 PLACES	± .010 ± .0004
1 PLACE	± .030 ± .0012
ANGULAR ± 1/2°	
DRAFT WHERE APPLICABLE MUST REMAIN WITHIN DIMENSIONS	

DIMENSION STYLE	
IN/MM	
DRAWN BY	DATE
R. STONE	2008/07/14
CHECKED BY	DATE
K. JOZWIK	2008/07/16
APPROVED BY	DATE
J. MURPHY	2008/07/18
MATERIAL NO.	
848549102	

SCALE	4:1
DESIGN UNITS	INCH
THIRD ANGLE PROJECTION	

MINI-C, RECEPTACLE FEMALE, 4 POLE SOLDER CUP	
MOLEX INCORPORATED	
MATERIAL NO.	848549102
DOCUMENT NO.	SD-84854-021
SHEET NO.	1 OF 1