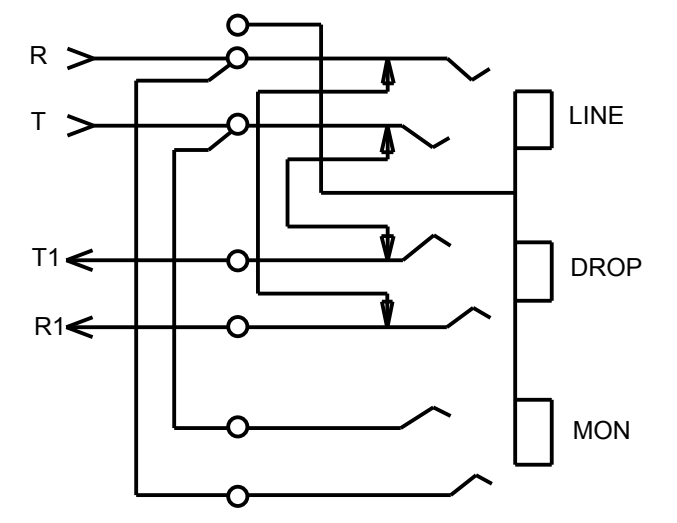
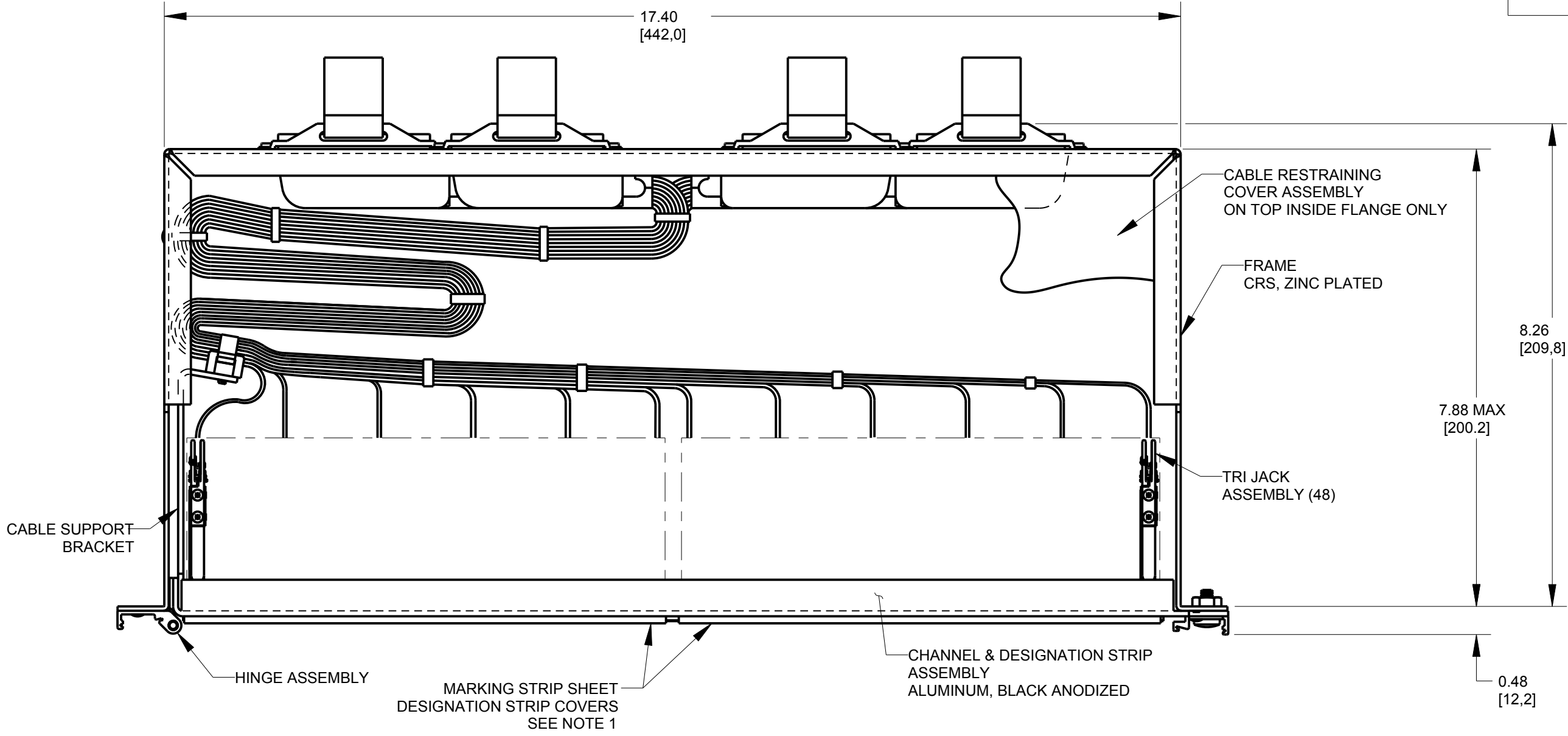
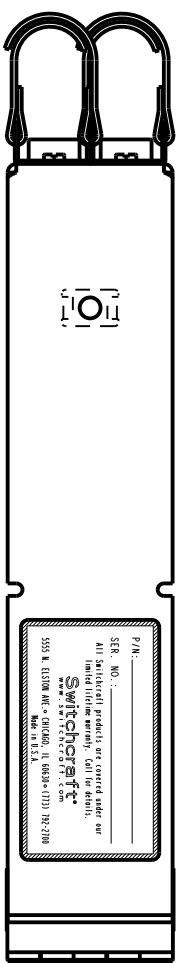
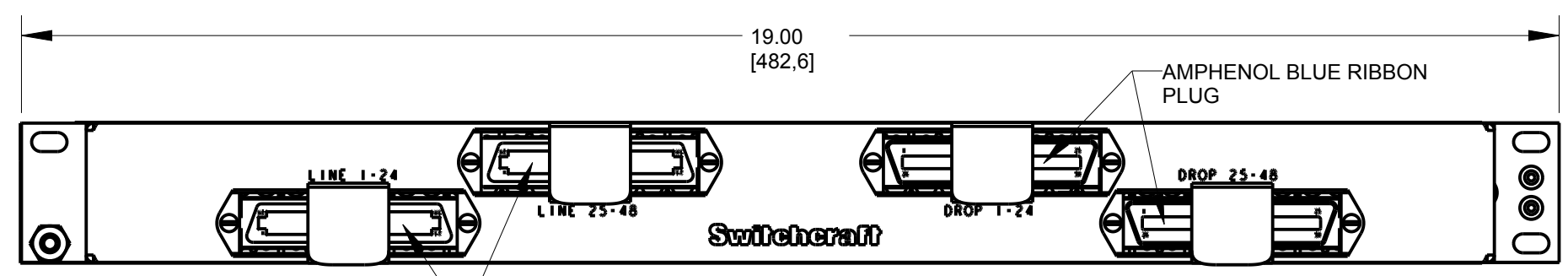
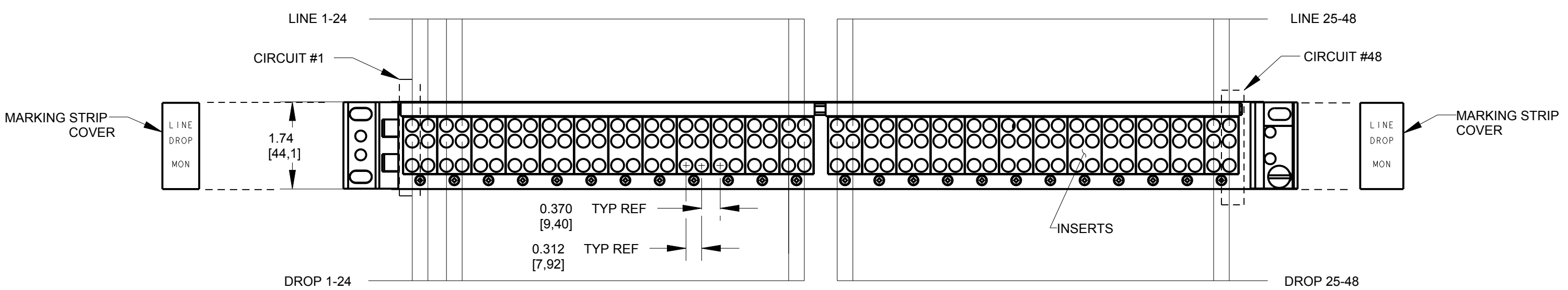


CONNECTION TABLE							
TO PLUG CONNECTOR		PIN		TO RECEPTACLE CONNECTOR		PIN	
CIRCUIT 1	DROP	T1	26	CIRCUIT 1	LINE	T	26
		R1	1			R	1
REPEATED				REPEATED			
CIRCUIT 24	DROP	T1	49	CIRCUIT 24	LINE	T	49
		R1	24			R	24
CIRCUIT 25	DROP	T1	26	CIRCUIT 25	LINE	T	26
		R1	1			R	1
REPEATED				REPEATED			
CIRCUIT 48	DROP	T1	49	CIRCUIT 48	LINE	T	49
		R1	24			R	24



**SCHEMATIC**  
2 WIRE WITH MONITOR  
TYPICAL OF 48 CIRCUITS



CUSTOMER DRAWING

NOTES:  
1. MARKING STRIPS AND COVERS SHIPPED UNASSEMBLED.

<p>★ STAR SYMBOL DENOTES CRITICAL DIMENSION</p> <p>UNLESS OTHERWISE SPECIFIED</p> <p>1. ALL DIMENSIONS IN INCHES -TWO PLACE DECIMALS ±0.01 -THREE PLACE DECIMALS ±0.005 -ANGLES ±1° -ALL DIA. CONCENTRIC WITHIN 0.005 T.I.R.</p> <p>2. FEATURES ON THE SAME CENTERLINE MUST BE ALIGNED WITHIN ±0.002</p> <p>3. REMOVE ALL BURRS</p> <p>DO NOT SCALE DRAWING</p>					<p>THIS DRAWING DESCRIBES A DESIGN CONSIDERED PROPRIETARY IN NATURE, DEVELOPED AND MANUFACTURED BY SWITCHCRAFT INC. AND IS RELEASED ON A CONFIDENTIAL BASIS FOR IDENTIFICATION PURPOSES ONLY.</p>				
SIZE		WIDTH		MULT		LBS/M		TEMPER	
FINISH SPEC No.					MATERIAL SPEC No.				
FIRST USED ON					SCALE 1:2				
DATE DRAWN	BY	CHKD	APVD						
30-Jun-03	JL	EB	EB						
			6-30-03	6-30-03					
NAME					PART No.				
2 WIRE CONNECTORIZED JACKFIELD					TT2W48MCF1				
REVISIONS					REV H				