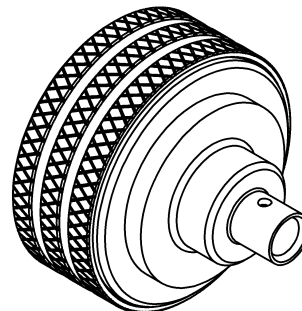
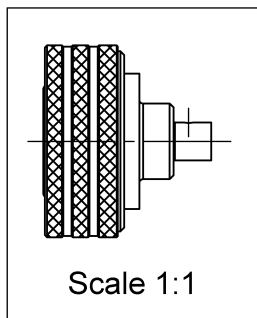
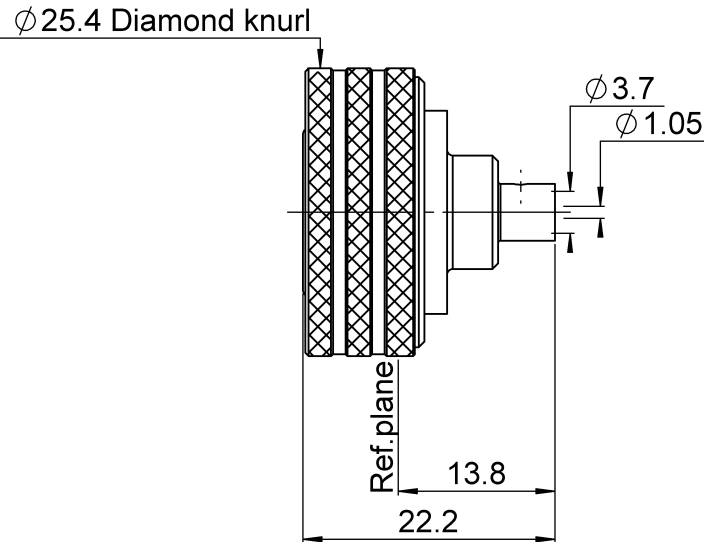
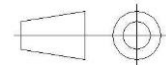


PAGE 1/3	ISSUE 20-11-17B	SERIES 4.3-10	PART NUMBER R183052007
----------	-----------------	---------------	------------------------



All dimensions are in mm. Tolerances according ISO 2768 m-H



COMPONENTS	MATERIALS	PLATING (μm)
Body	BRASS	BBR
Center contact	BRASS	SILVER
Outer contact		
Insulator	PTFE	
Gasket	EPDM	
Others parts	BRASS	BBR
Retaining ring	STAINLESS STEEL	-
-	-	-

PAGE 2/3	ISSUE 20-11-17B	SERIES 4.3-10	PART NUMBER R183052007
-----------------	------------------------	----------------------	-------------------------------

PACKAGING

Standard	Unit	Other
50	Contact us	Contact us

ELECTRICAL CHARACTERISTICS

Impedance	50	Ω
Frequency	0-6	GHz
VSWR	1.02 + 0.0100	x F(GHz) Maxi
Insertion loss	0.05	√F(GHz) dB Maxi
RF leakage	- (NA)	- F(GHz)) dB Maxi
Voltage rating	335	Veff Maxi
Dielectric withstanding voltage	1000	Veff mini
Insulation resistance	5000	MΩ mini

MECHANICAL CHARACTERISTICS

Center contact retention		
Axial force – Mating End	NA	N mini
Axial force – Opposite end	NA	N mini
Torque	NA	N.cm mini
Recommended torque		
Mating	NA	N.cm
Panel nut	NA	N.cm
Clamp nut	NA	N.cm
A/F clamp nut	0.0000	mm
Mating life	100	Cycles mini
Weight	28.7280	g

ENVIRONMENTAL

Operating temperature	-55/+90	°C
Hermetic seal	NA	Atm.cm3/s
Panel leakage	NA	

SPECIFICATION

CABLE ASSEMBLY

Stripping	a	b	c	d	e	f
mm	4.8	0	0	0	0	0

Assembly instruction: **Solder 02**

Recommended cable(s)

RG 402
KS 2
BELDEN 1673A
HC80000-3
SUCOFORM 141

Characteristics indicated on this data sheet are those that can be achieved with the highest performance cable. Intrinsic limitations of the cable may diminish the performance of the assembly

Cable retention

- pull off	200	N mini
- torque	NA	N.cm

TOOLING

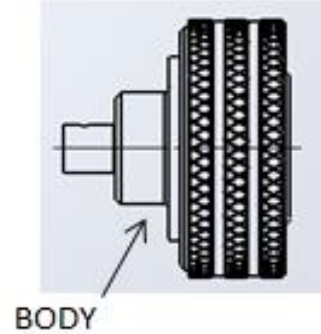
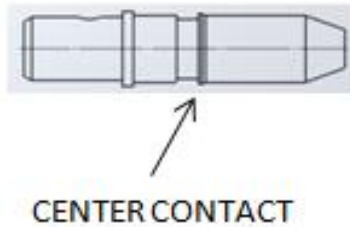
Part Number	Description	Hexagon
R282744325	SOLDERING POSITIONER	

OTHER CHARACTERISTICS

IP67 mated condition
PIM3<=-123dBm, 2 carriers of +43dBm

PAGE 3/3	ISSUE 20-11-17B	SERIES 4.3-10	PART NUMBER R183052007
----------	-----------------	---------------	------------------------

COMPONENT



1

Strip the dielectric of the cable.
Clean the cable.

3

Screw the positioner onto the soldering jig.
Slide the cable assembly until it bottoms against positioner.
Tighten and solder the contact.

2

Slide the insulator and the center contact onto the cable inner conductor

4