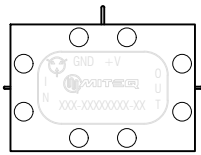
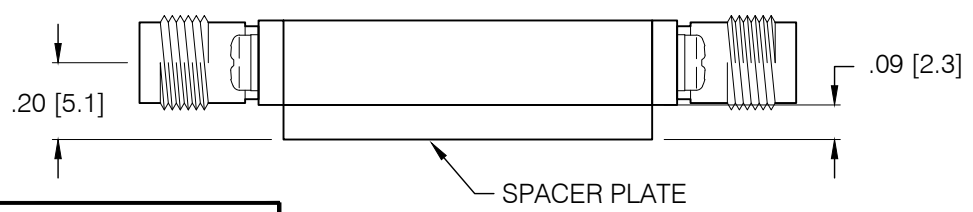
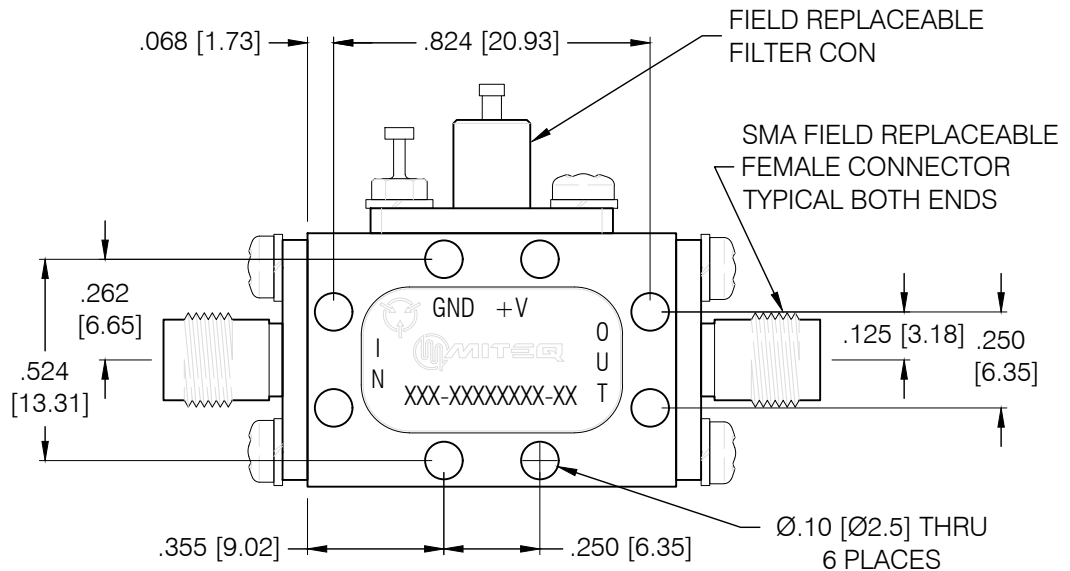
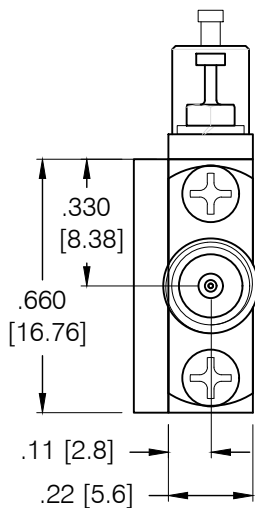
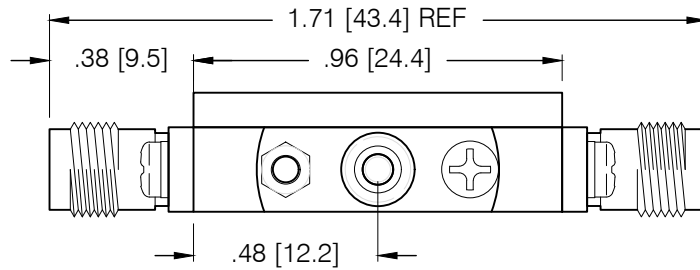


DASH NO.	APPLICATION		REVISIONS			
	NEXT ASSY	USED ON	LTR	DESCRIPTION	DATE	APPROVED
		152358	B	Incorporate ECN 34845	12/26/15	<i>rays</i>
		214451	PRINT NOT ON AUTOMATIC DISTRIBUTION VERIFY REVISION PRIOR TO USE			



ACTUAL SIZE
WITH CONNECTORS REMOVED



NOTE
1. DIMENSIONS IN BRACKETS ARE METRIC EQUIVALENTS
2. DC PIN IS Ø.015 [0.38] X .08 [2.0], RF PINS ARE Ø0.012 [0.30] X .06 [1.4] LONG

THESE ITEM(S)/TECHNOLOGY CONTAIN INFORMATION SUBJECT TO U.S. GOVERNMENT EXPORT CONTROL IN ACCORDANCE WITH THE EXPORT ADMINISTRATION REGULATIONS (EAR), 15 CFR PARTS 730-744. EXPORT OF THIS DATA TO ANY FOREIGN COUNTRY OR DISCLOSURE OF THIS DATA TO ANY NON-US PERSON MAY BE A VIOLATION OF FEDERAL LAW.

Narda-MITEQ PROPRIETARY
THIS DOCUMENT CONTAINS INFORMATION WHICH IS PROPRIETARY TO Narda-MITEQ. THE CONTENTS SHALL NOT BE DISCLOSED, COPIED, DISTRIBUTED, OR USED UNLESS AUTHORIZED BY AN OFFICER OF Narda-MITEQ. UNLESS

UNLESS OTHERWISE SPECIFIED DIMENSIONS ARE IN INCHES TOLERANCES ON	NAME	DATE
DECIMAL .X ±0.1 [2.5] DECIMAL .XX ±0.01 [0.25] DECIMAL .XXX ±0.005 [0.13] ANGLES X° ±30'	DWN <i>Jbuonaiuto</i>	02/12/04
	DFT DES <i>rays</i>	12/26/15
	PROJ ENGR <i>brw</i>	12/30/15
PROJECTION	MFG ENGR	
	Q.C.	
	CUST	



435 MORELAND RD HAUPPAUGE, NY 11788

LCA / AWS SERIES
AMPLIFIER
OUTLINE

SIZE A	CODE IDENT. NO. 99899	154709	REV B
SCALE 2 : 1	PROJECT	SHEET 1 OF 1	