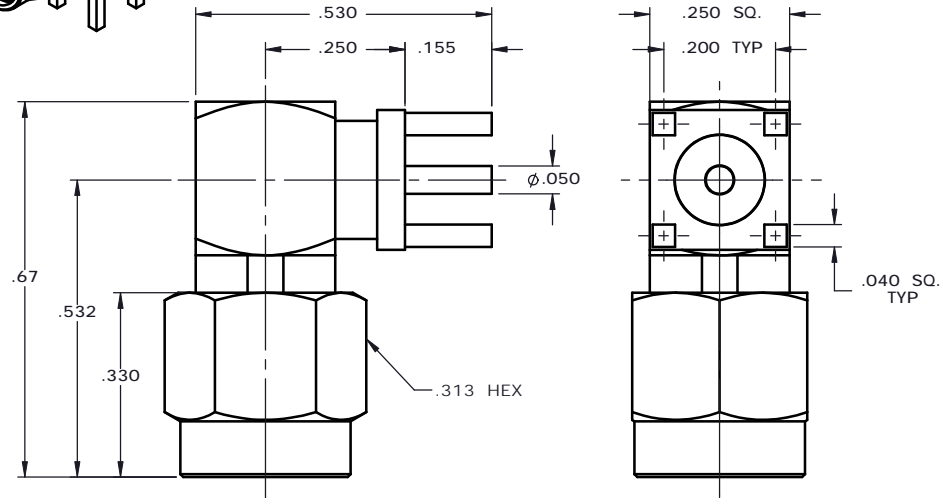


REVISIONS			
REV.	DESCRIPTION	DATE	APPROVED
A	INITIAL RELEASE	01/18/11	D.N.




NOTES:

MATERIALS:

1. BODIES & COUPLING NUT= STAINLESS STEEL PER ASTM A582, ALLOY 303, CONDITION "A".
2. INSULATORS = VIRGIN WHITE TEFLON PER ASTM D1710, GRADE 1, TYPE I, CLASS "B".
3. INTERFACE CONTACT & RETAINING RING = BERYLLIUM COPPER PER ASTM B196, ALLOY C17300, TEMPER TD04.
4. P.C.B. CONTACT & CAP = BRASS PER ASTM B16, ALLOY C36000, TEMPER HO2.
5. GASKET = SILICONE RUBBER PER ZZ-R-765, CLASS 2B, GRADE 65-75.

FINISHES:

1. BODIES = GOLD PLATE PER MIL-G-45204, TYPE II, CLASS O, GRADE C, OVER .000050 TO .00010 STRESS FREE NICKEL PER QQ-N-290.
2. CONTACTS = GOLD PLATE PER MIL-G-45204, TYPE II, CLASS 1, GRADE C, OVER .00010 TO .00020 STRESS FREE SULFAMATE NICKEL PER QQ-N-290.
3. COUPLING NUT = PASSIVATE PER QQ-P-35, TYPE VI.
4. CAP = GOLD PLATE PER MIL-G-45204, TYPE II, CLASS O, GRADE C, OVER .00010 TO .00020 COPPER STRIKE PER MIL-C-14550.

UNLESS OTHERWISE SPECIFIED DIMENSIONS ARE IN INCHES TOLERANCES ON	DWN: DATE	 Property of Radiall This document cannot be reproduced or communicated to a third party without prior written permission of RADIALL.	SMA RIGHT ANGLE PLUG P.C.B. MOUNT RECEPTACLE			
	D.N. 01/18/11					
DECIMAL	ANGLE	CHKD: DATE	REFERENCE: MATERIALS & FINISHES: SEE NOTES			
		A.D.M. 01/18/11				
		APVD: DATE	SIZE	FSCM NO.	DWG NO.	REV
		J.M. 01/18/11	A	19505	9646-1513-000	A
ORIGINATED: D.N. DATE: 01/18/11			SCALE 4:1	THIRD ANGLE PROJECTION	SHEET 1 OF 1	

9646-1513-000